



Tensioner - Heavy Duty - Type 4

10/4/2018

Indicates item not stocked at time of printing - Please enquire for lead time

E&OE Pricing and all details subject to change without notice - Copyright Miniature Bearings Australia Pty Ltd

MBA Size Listings are a guide to sizes only and must not be solely relied on for critical design information.

INFORMATION

Use with idler shafts and idler pulleys. Has 152.4mm travel through the use of the adjusting slots. Head is drilled and tapped to accept 50.8mm diameter idler shaft (ordered separately).

Idler shaft and pulleys not included with tensioner

Shaft is mounted straight out from face and anchored by set screws

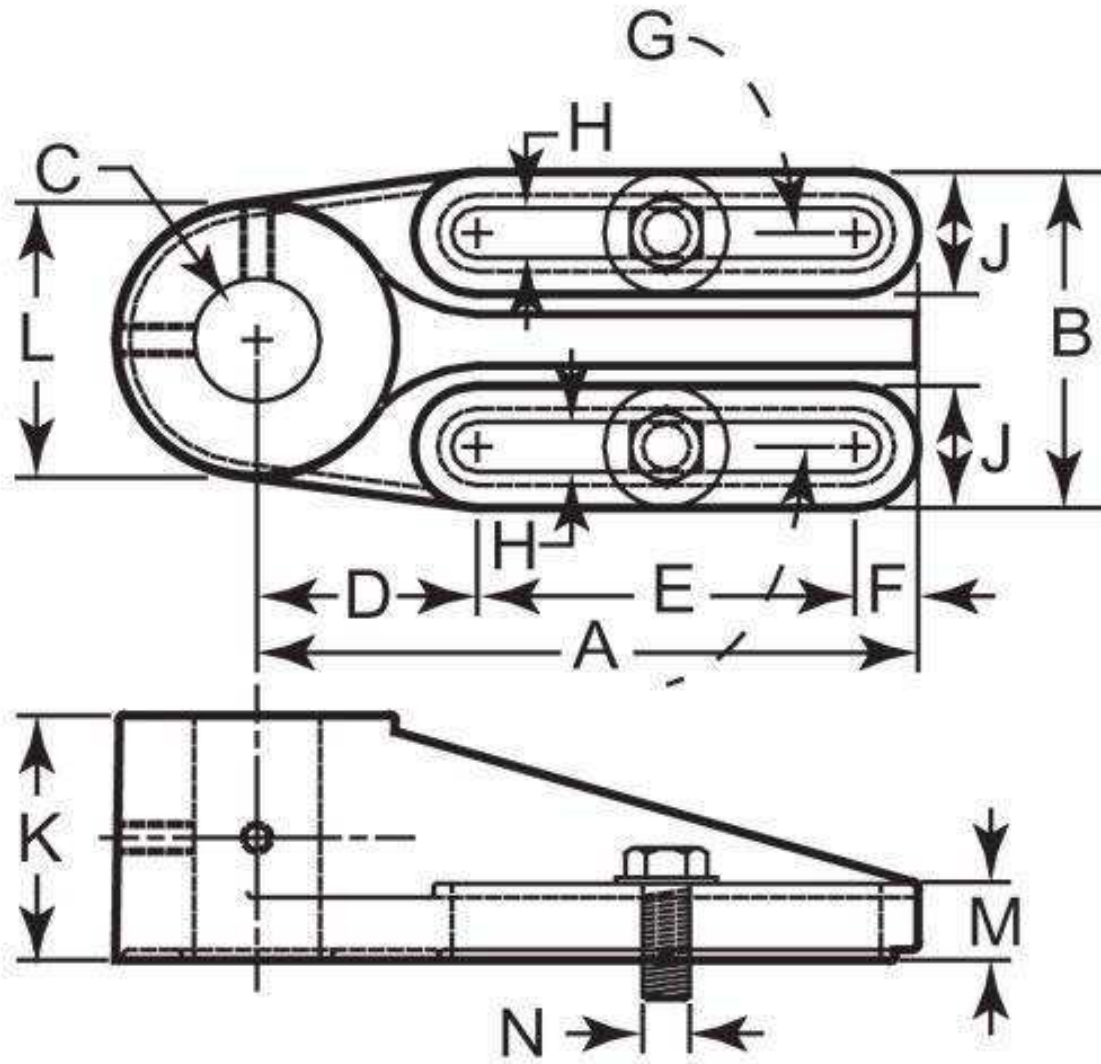
Adjusting slots are parallel to each other

This catalogue to be read in conjunction with information at <http://www.minibearings.com.au/categories/idler+shaft/>

Indicates item not stocked at time of printing - Please enquire for lead time

E&OE Pricing and all details subject to change without notice - Copyright Miniature Bearings Australia Pty Ltd

MBA Size Listings are a guide to sizes only and must not be solely relied on for critical design information.



Indicates item not stocked at time of printing - Please enquire for lead time

E&OE Pricing and all details subject to change without notice - Copyright Miniature Bearings Australia Pty Ltd

MBA Size Listings are a guide to sizes only and must not be solely relied on for critical design information.

Tensioner - Heavy Duty - Type 4

Part Number	A mm	B mm	C mm	D mm	E mm	F mm	G mm	H mm	J mm	K mm
	<i>inches</i>	<i>inches</i>	<i>inches</i>	<i>inches</i>	<i>inches</i>	<i>inches</i>	<i>inches</i>	<i>inches</i>	<i>inches</i>	<i>inches</i>
# IDC-90RS	226.70	139.70	50.80	88.90	152.40	25.40	Less than 152.40	20.64	50.80	101.60
	<i>8.925</i>	<i>5.500</i>	<i>2.000</i>	<i>3.500</i>	<i>6.000</i>	<i>1.000</i>		<i>0.813</i>	<i>2.000</i>	<i>4.000</i>

Indicates item not stocked at time of printing - Please enquire for lead time

E&OE Pricing and all details subject to change without notice - Copyright Miniature Bearings Australia Pty Ltd

MBA Size Listings are a guide to sizes only and must not be solely relied on for critical design information.

DISTRIBUTED BY

Distributed By:

