



Tools - Installation - Indexing Plunger

10/4/2018

Indicates item not stocked at time of printing - Please enquire for lead time

E&OE Pricing and all details subject to change without notice - Copyright Miniature Bearings Australia Pty Ltd

MBA Size Listings are a guide to sizes only and must not be solely relied on for critical design information.

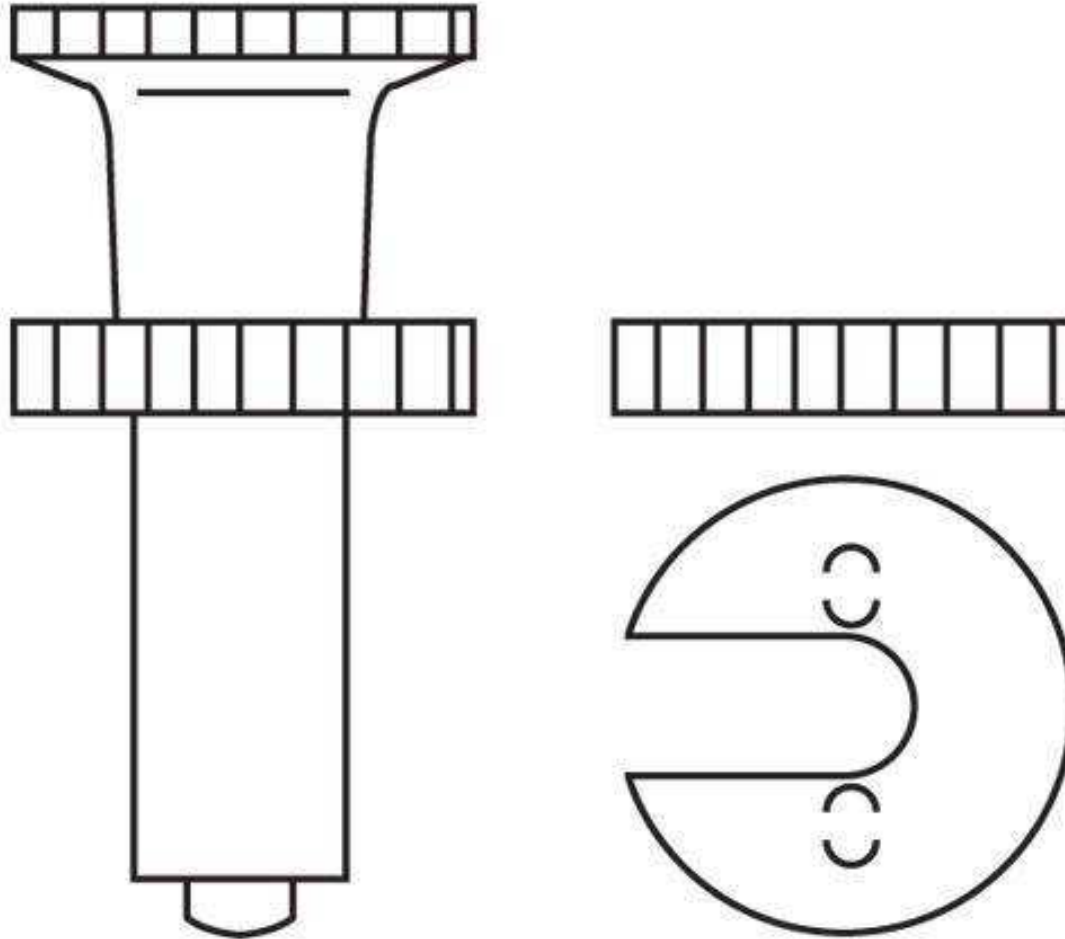
INFORMATION

Two slots provided in the upper end of the body and are accessible when the knob is in the retracted position. For use with WIP type plungers.

Indicates item not stocked at time of printing - Please enquire for lead time

E&OE Pricing and all details subject to change without notice - Copyright Miniature Bearings Australia Pty Ltd

MBA Size Listings are a guide to sizes only and must not be solely relied on for critical design information.



Indicates item not stocked at time of printing - Please enquire for lead time

E&OE Pricing and all details subject to change without notice - Copyright Miniature Bearings Australia Pty Ltd

MBA Size Listings are a guide to sizes only and must not be solely relied on for critical design information.

Tools - Installation - Indexing Plunger

Part Number	For Plunger Size mm	-	-
	<i>inches</i>		
# WIP-5005RS	5.00 <i>0.197</i>	-	-
# WIP-5010RS	6.00 <i>0.236</i>	-	-
# WIP-5015RS	8.00 <i>0.315</i>	-	-
# WIP-5020RS	10.00 <i>0.394</i>	-	-

Indicates item not stocked at time of printing - Please enquire for lead time

E&OE Pricing and all details subject to change without notice - Copyright Miniature Bearings Australia Pty Ltd

MBA Size Listings are a guide to sizes only and must not be solely relied on for critical design information.

DISTRIBUTED BY

Distributed By:

