



Turntable - Non-Lockable

10/4/2018

Indicates item not stocked at time of printing - Please enquire for lead time

E&OE Pricing and all details subject to change without notice - Copyright Miniature Bearings Australia Pty Ltd

MBA Size Listings are a guide to sizes only and must not be solely relied on for critical design information.

INFORMATION

Heavy duty turntables are ideal for swivel displays, welding tables, industrial assemblies and many other applications.

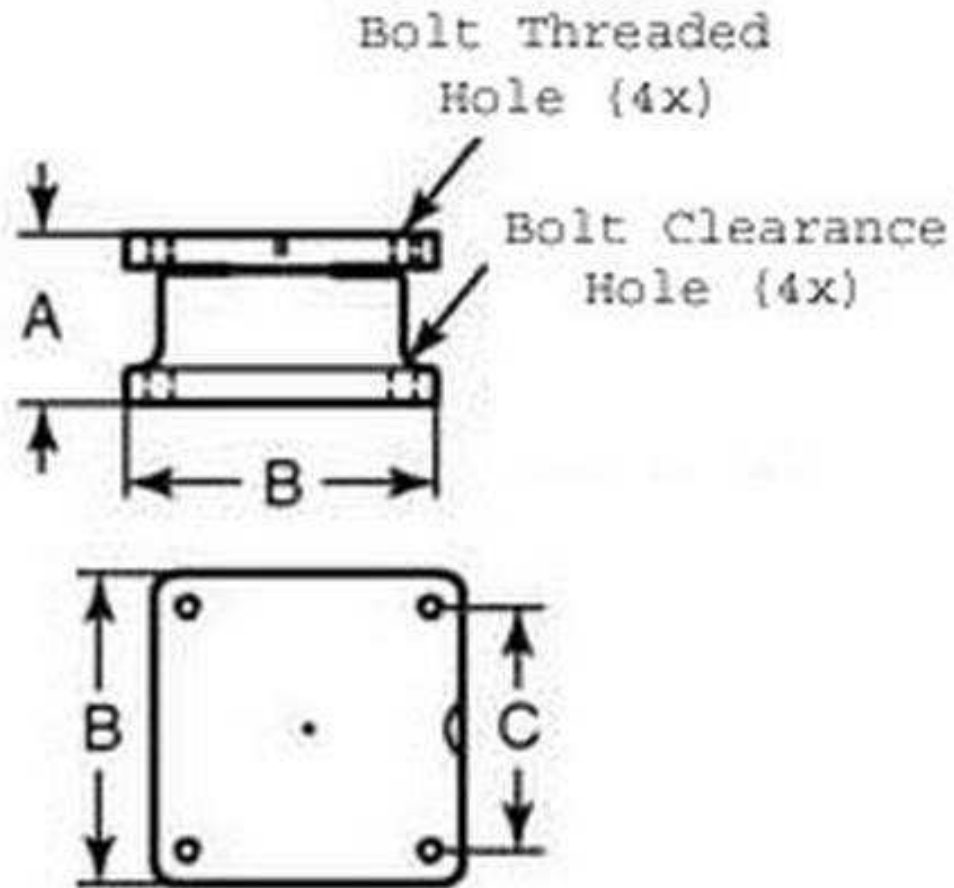
Similar to lazy susans but heavy duty

This catalogue to be read in conjunction with information at <http://www.minibearings.com.au/> mounted using the recommended bolts or welded directly to the fixture.

Indicates item not stocked at time of printing - Please enquire for lead time

E&OE Pricing and all details subject to change without notice - Copyright Miniature Bearings Australia Pty Ltd

MBA Size Listings are a guide to sizes only and must not be solely relied on for critical design information.



Indicates item not stocked at time of printing - Please enquire for lead time

E&OE Pricing and all details subject to change without notice - Copyright Miniature Bearings Australia Pty Ltd
MBA Size Listings are a guide to sizes only and must not be solely relied on for critical design information.

Turntable - Non-Lockable

Part Number	Load Capacity Grams	Height (A) mm <i>inches</i>	Length (B) mm <i>inches</i>	Material	Bolt Centres (C) mm <i>inches</i>	Bolt Size
# SKF-80RS	453	44.958 <i>1.770</i>	82.55 <i>3.250</i>	Cast Iron	63.50 <i>2.500</i>	1/4-20 UNC
# SKF-90RS	900	52.832 <i>2.080</i>	88.90 <i>3.500</i>	Stainless Steel	69.85 <i>2.750</i>	1/4-20 UNC
# SKF-81RS	1130	48.768 <i>1.920</i>	88.90 <i>3.500</i>	Cast Iron	69.85 <i>2.750</i>	1/4-20 UNC
# SKF-82RS	2260	61.722 <i>2.430</i>	127.00 <i>5.000</i>	Cast Iron	101.60 <i>4.000</i>	3/8-16 UNC
# SKF-91RS	2260	65.786 <i>2.590</i>	127.00 <i>5.000</i>	Stainless Steel	101.60 <i>4.000</i>	3/8-16 UNC
# SKF-83RS	4535	69.088 <i>2.720</i>	165.10 <i>6.500</i>	Cast Iron	139.70 <i>5.500</i>	3/8-16 UNC
# SKF-84RS	11300	74.930 <i>2.950</i>	184.15 <i>7.250</i>	Cast Iron	146.05 <i>5.750</i>	1/2-13 UNC

Indicates item not stocked at time of printing - Please enquire for lead time

E&OE Pricing and all details subject to change without notice - Copyright Miniature Bearings Australia Pty Ltd

MBA Size Listings are a guide to sizes only and must not be solely relied on for critical design information.

DISTRIBUTED BY

Distributed By:

