



Washers - Flat - Brass - Commercial

10/4/2018

Indicates item not stocked at time of printing - Please enquire for lead time

E&OE Pricing and all details subject to change without notice - Copyright Miniature Bearings Australia Pty Ltd

MBA Size Listings are a guide to sizes only and must not be solely relied on for critical design information.

INFORMATION

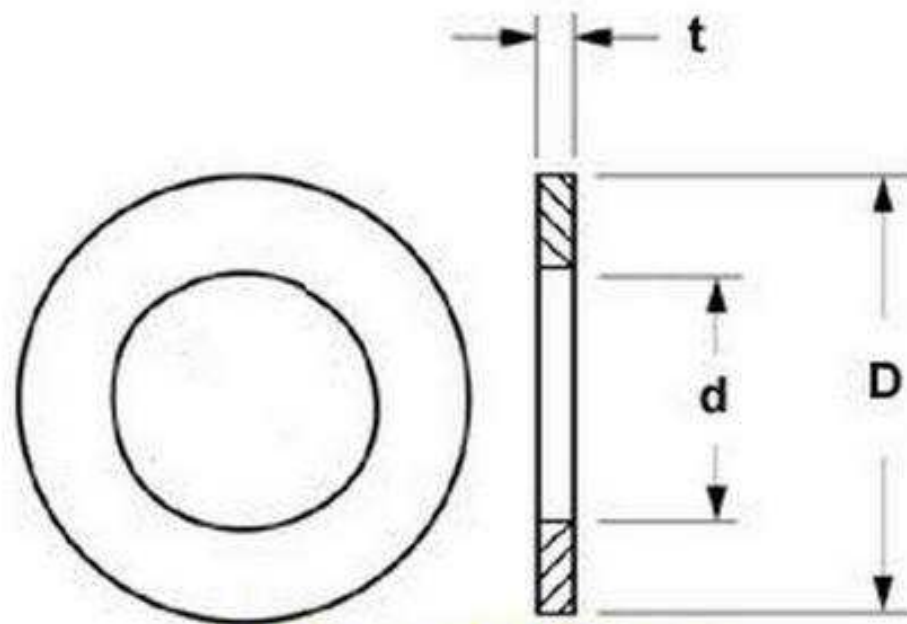
Flat washers.

Please note! Tolerances for commercial grade washers are much larger than for precision washers.
In most cases the actual washer size will be larger than the nominal ID and smaller than the nominal OD.

Indicates item not stocked at time of printing - Please enquire for lead time

E&OE Pricing and all details subject to change without notice - Copyright Miniature Bearings Australia Pty Ltd

MBA Size Listings are a guide to sizes only and must not be solely relied on for critical design information.



Shims and Washers

Indicates item not stocked at time of printing - Please enquire for lead time

E&OE Pricing and all details subject to change without notice - Copyright Miniature Bearings Australia Pty Ltd

MBA Size Listings are a guide to sizes only and must not be solely relied on for critical design information.

Washers - Flat - Brass - Commercial

Part Number	Nom. ID (d) mm <i>inches</i>	Nom. OD (D) mm <i>inches</i>	Thickness (T) mm <i>inches</i>	Other	Material
W0015-F-003-004-BR	1.52 <i>0.060</i>	3.18 <i>0.125</i>	0.43 <i>0.017</i>	To Suit 0 UN Screw	Brass
W0015-F-005-004-BR	1.52 <i>0.060</i>	4.762 <i>0.187</i>	0.43 <i>0.017</i>	To Suit 0 UN Screw	Brass
W0020-F-005-003-BR	2 <i>0.079</i>	4.7 <i>0.185</i>	0.3 <i>0.012</i>	To Suit M2 Screw	Nickel Plated Brass
W0025-F-007-005-BR	2.5 <i>0.098</i>	6.5 <i>0.256</i>	0.5 <i>0.020</i>	To Suit M2.5 Screw	Brass
W0030-F-007-005-BR	3 <i>0.118</i>	7 <i>0.276</i>	0.5 <i>0.020</i>	To Suit M3 Screw	Brass
W0030-F-008-007-BR	3 <i>0.118</i>	7.938 <i>0.313</i>	0.72 <i>0.028</i>	To Suit M3 Screw	Brass
W0030-F-010-007-BR	3 <i>0.118</i>	9.525 <i>0.375</i>	0.72 <i>0.028</i>	To Suit M3 Screw	Brass
W0040-F-009-008-BR	4 <i>0.157</i>	9 <i>0.354</i>	0.8 <i>0.031</i>	To Suit M4, 5/32 or 8UN Screw	Brass
W0040-F-010-007-BR	4 <i>0.157</i>	9.525 <i>0.375</i>	0.72 <i>0.028</i>	To Suit M4, 5/32 or 8UN Screw	Brass
W0040-F-011-007-BR	4 <i>0.157</i>	11.11 <i>0.437</i>	0.72 <i>0.028</i>	To Suit M4, 5/32 or 8UN Screw	Brass

Indicates item not stocked at time of printing - Please enquire for lead time

E&OE Pricing and all details subject to change without notice - Copyright Miniature Bearings Australia Pty Ltd

MBA Size Listings are a guide to sizes only and must not be solely relied on for critical design information.

Washers - Flat - Brass - Commercial

Part Number	Nom. ID (d) mm <i>inches</i>	Nom. OD (D) mm <i>inches</i>	Thickness (T) mm <i>inches</i>	Other	Material
W0048-F-011-007-BR	4.762 <i>0.187</i>	11.11 <i>0.437</i>	0.72 <i>0.028</i>	To Suit 3/16 or 10UN Screw	Brass
W0048-F-013-007-BR	4.762 <i>0.187</i>	12.7 <i>0.500</i>	0.72 <i>0.028</i>	To Suit 3/16 or 10UN Screw	Brass
# W0048-F-016-009-BR	4.762 <i>0.187</i>	15.875 <i>0.625</i>	0.91 <i>0.036</i>	To Suit 3/16 or 10UN Screw	Brass
W0050-F-010-008-BR	5 <i>0.197</i>	10 <i>0.394</i>	0.8 <i>0.031</i>	To Suit M5 Screw	Brass
W0060-F-013-010-BR	6 <i>0.236</i>	12.5 <i>0.492</i>	1 <i>0.039</i>	To Suit M6 Screw	Brass
# W0064-F-013-007-BR	6.35 <i>0.250</i>	12.7 <i>0.500</i>	0.72 <i>0.028</i>	To Suit 1/4 Screw	Brass
W0064-F-014-009-BR	6.35 <i>0.250</i>	14.29 <i>0.563</i>	0.91 <i>0.036</i>	To Suit 1/4 Screw	Brass
W0064-F-016-009-BR	6.35 <i>0.250</i>	15.875 <i>0.625</i>	0.91 <i>0.036</i>	To Suit 1/4 Screw	Brass
W0079-F-016-010-BR	7.938 <i>0.313</i>	15.875 <i>0.625</i>	1.02 <i>0.040</i>	To Suit 5/16 Screw	Brass
# W0079-F-019-010-BR	7.938 <i>0.313</i>	19.05 <i>0.750</i>	1.02 <i>0.040</i>	To Suit 5/16 Screw	Brass

Indicates item not stocked at time of printing - Please enquire for lead time

E&OE Pricing and all details subject to change without notice - Copyright Miniature Bearings Australia Pty Ltd

MBA Size Listings are a guide to sizes only and must not be solely relied on for critical design information.

Washers - Flat - Brass - Commercial

Part Number	Nom. ID (d) mm <i>inches</i>	Nom. OD (D) mm <i>inches</i>	Thickness (T) mm <i>inches</i>	Other	Material
W0080-F-017-012-BR	8 <i>0.315</i>	17 <i>0.669</i>	1.2 <i>0.047</i>	To Suit M8 Bolt	Brass
# W0095-F-019-010-BR	9.525 <i>0.375</i>	19.05 <i>0.750</i>	1.02 <i>0.040</i>	To Suit 3/8 Bolt	Brass
# W0095-F-022-010-BR	9.525 <i>0.375</i>	22.23 <i>0.875</i>	1.02 <i>0.040</i>	To Suit 3/8 Bolt	Brass
# W0095-F-025-013-BR	9.525 <i>0.375</i>	25.4 <i>1.000</i>	1.29 <i>0.051</i>	To Suit 3/8 Bolt	Brass
W0100-F-021-012-BR	10 <i>0.394</i>	21 <i>0.827</i>	1.2 <i>0.047</i>	To Suit M10 Bolt	Brass
# W0111-F-022-013-BR	11.1 <i>0.437</i>	22.23 <i>0.875</i>	1.29 <i>0.051</i>	To Suit 7/16 Bolt	Brass
# W0111-F-025-013-BR	11.1 <i>0.437</i>	25.4 <i>1.000</i>	1.29 <i>0.051</i>	To Suit 7/16 Bolt	Brass
# W0120-F-024-016-BR	12 <i>0.472</i>	24 <i>0.945</i>	1.6 <i>0.063</i>	To Suit M12 Bolt	Brass
# W0127-F-025-013-BR	12.7 <i>0.500</i>	25.4 <i>1.000</i>	1.29 <i>0.051</i>	To Suit 1/2 Bolt	Brass
# W0127-F-029-013-BR	12.7 <i>0.500</i>	28.58 <i>1.125</i>	1.29 <i>0.051</i>	To Suit 1/2 Bolt	Brass

Indicates item not stocked at time of printing - Please enquire for lead time

E&OE Pricing and all details subject to change without notice - Copyright Miniature Bearings Australia Pty Ltd

MBA Size Listings are a guide to sizes only and must not be solely relied on for critical design information.

Washers - Flat - Brass - Commercial

Part Number	Nom. ID (d) mm <i>inches</i>	Nom. OD (D) mm <i>inches</i>	Thickness (T) mm <i>inches</i>	Other	Material
# W0143-F-029-013-BR	14.3 <i>0.563</i>	28.58 <i>1.125</i>	1.29 <i>0.051</i>	To Suit 9/16 Bolt	Brass
# W0159-F-032-013-BR	15.875 <i>0.625</i>	31.75 <i>1.250</i>	1.29 <i>0.051</i>	To Suit 5/8 Bolt	Brass
# W0159-F-035-013-BR	15.875 <i>0.625</i>	34.93 <i>1.375</i>	1.29 <i>0.051</i>	To Suit 5/8 Bolt	Brass
# W0160-F-034-020-BR	16 <i>0.630</i>	33.5 <i>1.319</i>	2 <i>0.079</i>	To Suit M16 Bolt	Brass
# W0191-F-038-016-BR	19.05 <i>0.750</i>	38.1 <i>1.500</i>	1.63 <i>0.064</i>	To Suit 3/4 Bolt	Brass
# W0200-F-037-020-BR	20 <i>0.787</i>	37 <i>1.457</i>	2 <i>0.079</i>	To Suit M20 Bolt	Brass
# W0220-F-041-016-BR	22 <i>0.866</i>	41.28 <i>1.625</i>	1.63 <i>0.064</i>	To Suit M22 Bolt	Brass
# W0240-F-044-020-BR	24 <i>0.945</i>	44 <i>1.732</i>	2 <i>0.079</i>	To Suit M24 Bolt	Brass
# W0254-F-048-016-BR	25.4 <i>1.000</i>	47.63 <i>1.875</i>	1.63 <i>0.064</i>	To Suit 1 Inch Bolt	Brass
# W0254-F-054-016-BR	25.4 <i>1.000</i>	53.98 <i>2.125</i>	1.63 <i>0.064</i>	To Suit 1 Inch Bolt	Brass

Indicates item not stocked at time of printing - Please enquire for lead time

E&OE Pricing and all details subject to change without notice - Copyright Miniature Bearings Australia Pty Ltd

MBA Size Listings are a guide to sizes only and must not be solely relied on for critical design information.

DISTRIBUTED BY

Distributed By:

