



Washers - Flat - Mild Steel

10/4/2018

Indicates item not stocked at time of printing - Please enquire for lead time

E&OE Pricing and all details subject to change without notice - Copyright Miniature Bearings Australia Pty Ltd

MBA Size Listings are a guide to sizes only and must not be solely relied on for critical design information.

Page 1 of 27

INFORMATION

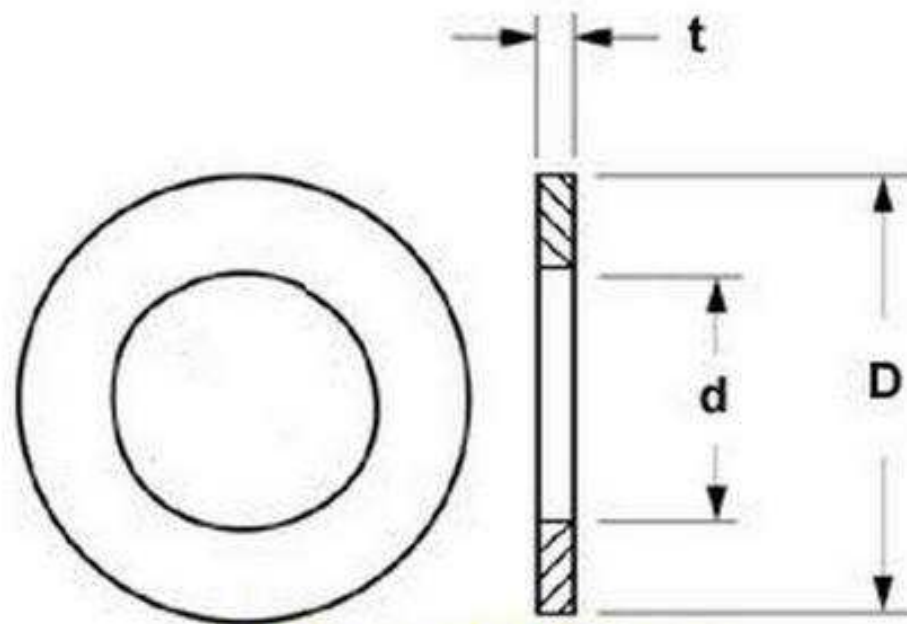
Flat washers. Includes fender washers. Zinc plated and unplated listings.

In most cases the actual washer size will be larger than the nominal ID and smaller than the nominal OD.

Indicates item not stocked at time of printing - Please enquire for lead time

E&OE Pricing and all details subject to change without notice - Copyright Miniature Bearings Australia Pty Ltd

MBA Size Listings are a guide to sizes only and must not be solely relied on for critical design information.



Shims and Washers

Indicates item not stocked at time of printing - Please enquire for lead time

E&OE Pricing and all details subject to change without notice - Copyright Miniature Bearings Australia Pty Ltd

MBA Size Listings are a guide to sizes only and must not be solely relied on for critical design information.

Washers - Flat - Mild Steel

Part Number	Nom. ID (d) mm <i>inches</i>	Nom. OD (D) mm <i>inches</i>	Thickness (T) mm <i>inches</i>	Other	Material	Grade
W0020-F-005-003-CZ	2 <i>0.079</i>	5 <i>0.197</i>	0.3 <i>0.012</i>	To Suit M2 Screw	Zinc Plated Steel	Commercial
# W0020-F-005-003-C	2 <i>0.079</i>	5 <i>0.197</i>	0.3 <i>0.012</i>	To Suit M2 Screw	Steel	Commercial
W0022-F-006-005-CZ	2.184 <i>0.086</i>	5.56 <i>0.219</i>	0.45 <i>0.018</i>	To suit 2-56 / 2-64 Screws	Zinc Plated Steel	Commercial
# W0024-F-006-008-C	2.38 <i>0.094</i>	6.35 <i>0.250</i>	0.76 <i>0.030</i>	To Suit 3/32 Screw	Mild Steel	Commercial
W0024-F-006-008-CZ	2.38 <i>0.094</i>	6.35 <i>0.250</i>	0.76 <i>0.030</i>	To Suit 3/32 Screw	Zinc Plated	Commercial
W0025-F-007-005-C	2.5 <i>0.098</i>	6.5 <i>0.256</i>	0.5 <i>0.020</i>	To Suit M2.5 Screw	Steel	Commercial
W0025-F-007-005-CZ	2.5 <i>0.098</i>	6.5 <i>0.256</i>	0.5 <i>0.020</i>	To Suit M2.5 Screw	Zinc Plated Steel	Commercial
W0025-F-006-005-CZ	2.515 <i>0.099</i>	6.35 <i>0.250</i>	0.51 <i>0.020</i>		Zinc Plated Steel	Commercial
W0028-F-007-007-CZ	2.845 <i>0.112</i>	7.14 <i>0.281</i>	0.66 <i>0.026</i>		Zinc Plated Steel	Commercial
W0030-F-007-005-C	3 <i>0.118</i>	7 <i>0.276</i>	0.5 <i>0.020</i>	To Suit M3 Screw	Steel	-

Indicates item not stocked at time of printing - Please enquire for lead time

Page 4 of 27

E&OE Pricing and all details subject to change without notice - Copyright Miniature Bearings Australia Pty Ltd
MBA Size Listings are a guide to sizes only and must not be solely relied on for critical design information.

Washers - Flat - Mild Steel

Part Number	Nom. ID (d) mm <i>inches</i>	Nom. OD (D) mm <i>inches</i>	Thickness (T) mm <i>inches</i>	Other	Material	Grade
W0030-F-007-005-CZ	3 <i>0.118</i>	7 <i>0.276</i>	0.5 <i>0.020</i>	To Suit M3 Screw	Zinc Plated Steel	Commercial
# W0030-F-008-008-C	3 <i>0.118</i>	7.938 <i>0.313</i>	0.76 <i>0.030</i>	To Suit M3 Screw	Mild Steel	Commercial
W0030-F-008-008-CZ	3 <i>0.118</i>	7.938 <i>0.313</i>	0.76 <i>0.030</i>	To Suit M3 Screw	Zinc Plated	Commercial
W0030-F-010-009-CZ	3 <i>0.118</i>	9.525 <i>0.375</i>	0.9 <i>0.035</i>	To Suit M3 Screw	Zinc Plated	Commercial
W0030-F-013-009-CZ	3 <i>0.118</i>	12.7 <i>0.500</i>	0.9 <i>0.035</i>	To Suit M3 Screw	Zinc Plated	Commercial
W0030-F-016-012-CZ	3 <i>0.118</i>	15.875 <i>0.625</i>	1.21 <i>0.048</i>	To Suit M3 Screw	Zinc Plated	Commercial
W0032-F-007-007-CZ	3.175 <i>0.125</i>	7.14 <i>0.281</i>	0.66 <i>0.026</i>		Zinc Plated Steel	Commercial
W0035-F-010-008-CZ	3.5 <i>0.138</i>	9.525 <i>0.375</i>	0.81 <i>0.032</i>		Zinc Plated Steel	Commercial
# W0035-F-010-013-CZC	3.5 <i>0.138</i>	9.525 <i>0.375</i>	1.25 <i>0.049</i>		Zinc Chromate Finish	
# W0035-F-019-010-CZC	3.5 <i>0.138</i>	19.05 <i>0.750</i>	1.02 <i>0.040</i>		Zinc chromate finish	

Indicates item not stocked at time of printing - Please enquire for lead time

E&OE Pricing and all details subject to change without notice - Copyright Miniature Bearings Australia Pty Ltd
MBA Size Listings are a guide to sizes only and must not be solely relied on for critical design information.

Washers - Flat - Mild Steel

Part Number	Nom. ID (d) mm <i>inches</i>	Nom. OD (D) mm <i>inches</i>	Thickness (T) mm <i>inches</i>	Other	Material	Grade
W0040-F-009-008-C	4 <i>0.157</i>	9 <i>0.354</i>	0.8 <i>0.031</i>	To Suit M4, 5/32 or 8UN Screw	Steel	-
W0040-F-009-008-CZ	4 <i>0.157</i>	9 <i>0.354</i>	0.8 <i>0.031</i>	To Suit M4, 5/32 or 8UN Screw	Zinc Plated Steel	Commercial
# W0040-F-009-008-CZC	4 <i>0.157</i>	9 <i>0.354</i>	0.8 <i>0.031</i>		Zinc Chromate Finish	
# W0040-F-010-009-C	4 <i>0.157</i>	9.525 <i>0.375</i>	0.9 <i>0.035</i>	To Suit M4, 5/32 or 8UN Screw	Mild Steel	Commercial
W0040-F-010-009-CZ	4 <i>0.157</i>	9.525 <i>0.375</i>	0.9 <i>0.035</i>	To Suit M4, 5/32 or 8UN Screw	Zinc Plated	Commercial
W0040-F-011-009-C	4 <i>0.157</i>	11.11 <i>0.437</i>	0.9 <i>0.035</i>	To Suit M4, 5/32 or 8UN Screw	Mild Steel	Commercial
W0040-F-011-009-CZ	4 <i>0.157</i>	11.11 <i>0.437</i>	0.9 <i>0.035</i>	To Suit M4, 5/32 or 8UN Screw	Zinc Plated	Commercial
W0040-F-016-013-CZ	4 <i>0.157</i>	15.875 <i>0.625</i>	1.29 <i>0.051</i>	To Suit M4, 5/32 or 8UN Screw	Zinc Plated	Commercial

Indicates item not stocked at time of printing - Please enquire for lead time

Page 6 of 27

E&OE Pricing and all details subject to change without notice - Copyright Miniature Bearings Australia Pty Ltd
MBA Size Listings are a guide to sizes only and must not be solely relied on for critical design information.

Washers - Flat - Mild Steel

Part Number	Nom. ID (d) mm <i>inches</i>	Nom. OD (D) mm <i>inches</i>	Thickness (T) mm <i>inches</i>	Other	Material	Grade
# W0040-F-016-013-C	4 <i>0.157</i>	15.875 <i>0.625</i>	1.29 <i>0.051</i>	To Suit M4, 5/32 or 8UN Screw	Mild Steel	Commercial
W0042-F-010-008-CZ	4.166 <i>0.164</i>	9.525 <i>0.375</i>	0.81 <i>0.032</i>		Zinc Plated Steel	Commercial
# W0042-F-011-013-CZC	4.166 <i>0.164</i>	11.11 <i>0.437</i>	1.25 <i>0.049</i>		Zinc Chromate Finish	
# W0042-F-022-016-CZC	4.166 <i>0.164</i>	22.23 <i>0.875</i>	1.6 <i>0.063</i>		Zinc chromate finish	
W0048-F-011-009-C	4.762 <i>0.187</i>	11.11 <i>0.437</i>	0.9 <i>0.035</i>	To Suit 3/16 or 10UN Screw	Mild Steel	Commercial
W0048-F-011-009-CZ	4.762 <i>0.187</i>	11.11 <i>0.437</i>	0.9 <i>0.035</i>	To Suit 3/16 or 10UN Screw	Zinc Plated	Commercial
W0048-F-013-009-C	4.762 <i>0.187</i>	12.7 <i>0.500</i>	0.9 <i>0.035</i>	To Suit 3/16 or 10UN Screw	Mild Steel	Commercial
W0048-F-013-009-CZ	4.762 <i>0.187</i>	12.7 <i>0.500</i>	0.9 <i>0.035</i>	To Suit 3/16 or 10UN Screw	Zinc Plated	Commercial
# W0048-F-013-013-CZC	4.762 <i>0.187</i>	12.7 <i>0.500</i>	1.25 <i>0.049</i>		Zinc Chromate Finish	

Indicates item not stocked at time of printing - Please enquire for lead time

Page 7 of 27

E&OE Pricing and all details subject to change without notice - Copyright Miniature Bearings Australia Pty Ltd
MBA Size Listings are a guide to sizes only and must not be solely relied on for critical design information.

Washers - Flat - Mild Steel

Part Number	Nom. ID (d) mm <i>inches</i>	Nom. OD (D) mm <i>inches</i>	Thickness (T) mm <i>inches</i>	Other	Material	Grade
W0048-F-013-015-C	4.762 <i>0.187</i>	12.7 <i>0.500</i>	1.52 <i>0.060</i>	To Suit 3/16 or 10UN Screw	Mild Steel	Commercial
W0048-F-013-015-FCZ	4.762 <i>0.187</i>	12.7 <i>0.500</i>	1.52 <i>0.060</i>	To Suit 3/16 or 10UN Screw	Zinc Plated	Commercial
W0048-F-014-013-CZC	4.762 <i>0.187</i>	14.28 <i>0.562</i>	1.25 <i>0.049</i>		Zinc Chromate Finish	
W0048-F-014-017-CZC	4.762 <i>0.187</i>	14.28 <i>0.562</i>	1.65 <i>0.065</i>	To Suit M6 Screw	Zinc Chromate Finish	
W0048-F-016-012-CZ	4.762 <i>0.187</i>	15.875 <i>0.625</i>	1.21 <i>0.048</i>	To Suit 3/16 or 10UN Screw	Zinc Plated	Commercial
W0048-F-016-012-C	4.762 <i>0.187</i>	15.875 <i>0.625</i>	1.21 <i>0.048</i>	To Suit 3/16 or 10UN Screw	Mild Steel	Commercial
# W0048-F-016-013-C	4.762 <i>0.187</i>	15.875 <i>0.625</i>	1.29 <i>0.051</i>	To Suit 3/16 or 10UN Screw	Mild Steel	Commercial
# W0048-F-016-013-CZ	4.762 <i>0.187</i>	15.875 <i>0.625</i>	1.29 <i>0.051</i>	To Suit 3/16 or 10UN Screw	Zinc Plated	Commercial

Indicates item not stocked at time of printing - Please enquire for lead time

Page 8 of 27

E&OE Pricing and all details subject to change without notice - Copyright Miniature Bearings Australia Pty Ltd

MBA Size Listings are a guide to sizes only and must not be solely relied on for critical design information.

Washers - Flat - Mild Steel

Part Number	Nom. ID (d) mm <i>inches</i>	Nom. OD (D) mm <i>inches</i>	Thickness (T) mm <i>inches</i>	Other	Material	Grade
W0048-F-019-012-C	4.762 <i>0.187</i>	19.05 <i>0.750</i>	1.21 <i>0.048</i>	To Suit 3/16 or 10UN Screw	Mild Steel	Commercial
W0048-F-019-012-CZ	4.762 <i>0.187</i>	19.05 <i>0.750</i>	1.21 <i>0.048</i>	To Suit 3/16 or 10UN Screw	Zinc Plated	Commercial
# W0048-F-019-013-CZC	4.762 <i>0.187</i>	19.05 <i>0.750</i>	1.25 <i>0.049</i>		Zinc chromate finish	
W0048-F-019-015-C	4.762 <i>0.187</i>	19.05 <i>0.750</i>	1.52 <i>0.060</i>	To Suit 3/16 or 10UN Screw	Mild Steel	Commercial
W0048-F-019-015-CZ	4.762 <i>0.187</i>	19.05 <i>0.750</i>	1.52 <i>0.060</i>	To Suit 3/16 or 10UN Screw	Zinc Plated	Commercial
# W0048-F-025-013-CZC	4.762 <i>0.187</i>	25.4 <i>1.000</i>	1.25 <i>0.049</i>		Zinc chromate finish	
W0048-F-025-015-C	4.762 <i>0.187</i>	25.4 <i>1.000</i>	1.52 <i>0.060</i>	To Suit 3/16 or 10UN Screw	Mild Steel	Commercial
W0048-F-025-015-CZ	4.762 <i>0.187</i>	25.4 <i>1.000</i>	1.52 <i>0.060</i>	To Suit 3/16 or 10UN Screw	Zinc Plated	Commercial
# W0048-F-032-013-CZC	4.762 <i>0.187</i>	31.75 <i>1.250</i>	1.25 <i>0.049</i>		Zinc chromate finish	

Indicates item not stocked at time of printing - Please enquire for lead time

Page 9 of 27

E&OE Pricing and all details subject to change without notice - Copyright Miniature Bearings Australia Pty Ltd
MBA Size Listings are a guide to sizes only and must not be solely relied on for critical design information.

Washers - Flat - Mild Steel

Part Number	Nom. ID (d) mm <i>inches</i>	Nom. OD (D) mm <i>inches</i>	Thickness (T) mm <i>inches</i>	Other	Material	Grade
# W0048-F-032-015-C	4.762 <i>0.187</i>	31.75 <i>1.250</i>	1.52 <i>0.060</i>	To Suit 3/16 or 10UN Screw	Mild Steel	Commercial
W0048-F-032-015-CZ	4.762 <i>0.187</i>	31.75 <i>1.250</i>	1.52 <i>0.060</i>	To Suit 3/16 or 10UN Screw	Zinc Plated	Commercial
# W0050-F-010-010-CZC	5 <i>0.197</i>	10 <i>0.394</i>	1 <i>0.039</i>		Zinc Chromate Finish	
W0050-F-010-010-CZ	5 <i>0.197</i>	10 <i>0.394</i>	1 <i>0.039</i>	To Suit M5 Screw	Zinc Plated Steel	Commercial
W0050-F-011-008-CZ	5 <i>0.197</i>	11.11 <i>0.437</i>	0.81 <i>0.032</i>		Zinc Plated Steel	Commercial
W0060-F-012-009-C	6 <i>0.236</i>	12 <i>0.472</i>	0.9 <i>0.035</i>	To Suit M6 Screw	Steel	-
# W0060-F-012-016-CZC	6 <i>0.236</i>	12 <i>0.472</i>	1.6 <i>0.063</i>		Zinc Chromate Finish	
W0060-F-013-012-C	6 <i>0.236</i>	12.5 <i>0.492</i>	1.2 <i>0.047</i>	To Suit M6 Screw	Steel	Commercial
W0060-F-013-012-CZ	6 <i>0.236</i>	12.5 <i>0.492</i>	1.2 <i>0.047</i>	To Suit M6 Screw	Zinc Plated Steel	Commercial
# W0064-F-013-016-CZ	6.35 <i>0.250</i>	12.5 <i>0.492</i>	1.6 <i>0.063</i>	To Suit 1/4 Screw	Zinc Plated Steel	Commercial

Indicates item not stocked at time of printing - Please enquire for lead time

Page 10 of 27

E&OE Pricing and all details subject to change without notice - Copyright Miniature Bearings Australia Pty Ltd
MBA Size Listings are a guide to sizes only and must not be solely relied on for critical design information.

Washers - Flat - Mild Steel

Part Number	Nom. ID (d) mm <i>inches</i>	Nom. OD (D) mm <i>inches</i>	Thickness (T) mm <i>inches</i>	Other	Material	Grade
W0064-F-013-012-C	6.35 <i>0.250</i>	12.7 <i>0.500</i>	1.21 <i>0.048</i>	To Suit 1/4 Screw	Mild Steel	Commercial
W0064-F-013-012-CZ	6.35 <i>0.250</i>	12.7 <i>0.500</i>	1.21 <i>0.048</i>	To Suit 1/4 Screw	Zinc Plated	Commercial
# W0064-F-013-013-CZC	6.35 <i>0.250</i>	12.7 <i>0.500</i>	1.25 <i>0.049</i>		Zinc chromate finish	
W0064-F-013-015-C	6.35 <i>0.250</i>	12.7 <i>0.500</i>	1.52 <i>0.060</i>	To Suit 1/4 Screw	Mild Steel	Commercial
W0064-F-013-015-CZ	6.35 <i>0.250</i>	12.7 <i>0.500</i>	1.52 <i>0.060</i>	To Suit 1/4 Screw	Zinc Plated	Commercial
W0064-F-014-012-C	6.35 <i>0.250</i>	14.29 <i>0.563</i>	1.21 <i>0.048</i>	To Suit 1/4 Screw	Mild Steel	Commercial
W0064-F-014-012-CZ	6.35 <i>0.250</i>	14.29 <i>0.563</i>	1.21 <i>0.048</i>	To Suit 1/4 Screw	Zinc Plated	Commercial
W0064-F-016-012-C	6.35 <i>0.250</i>	15.875 <i>0.625</i>	1.21 <i>0.048</i>	To Suit 1/4 Screw	Mild Steel	Commercial
W0064-F-016-012-CZ	6.35 <i>0.250</i>	15.875 <i>0.625</i>	1.21 <i>0.048</i>	To Suit 1/4 Screw	Zinc Plated	Commercial
# W0064-F-016-017-CZC	6.35 <i>0.250</i>	15.875 <i>0.625</i>	1.65 <i>0.065</i>		Zinc Chromate Finish	

Indicates item not stocked at time of printing - Please enquire for lead time

E&OE Pricing and all details subject to change without notice - Copyright Miniature Bearings Australia Pty Ltd

MBA Size Listings are a guide to sizes only and must not be solely relied on for critical design information.

Washers - Flat - Mild Steel

Part Number	Nom. ID (d) mm <i>inches</i>	Nom. OD (D) mm <i>inches</i>	Thickness (T) mm <i>inches</i>	Other	Material	Grade
W0064-F-017-015-C	6.35 <i>0.250</i>	16.9 <i>0.665</i>	1.5 <i>0.059</i>	To Suit 1/4 Screw	Steel - Plain	Commercial
# W0064-F-019-017-CZC	6.35 <i>0.250</i>	18.64 <i>0.734</i>	1.65 <i>0.065</i>		Zinc Chromate Finish	
W0064-F-019-012-C	6.35 <i>0.250</i>	19.05 <i>0.750</i>	1.21 <i>0.048</i>	To Suit 1/4 Screw	Mild Steel	Commercial
W0064-F-019-012-CZ	6.35 <i>0.250</i>	19.05 <i>0.750</i>	1.21 <i>0.048</i>	To Suit 1/4 Screw	Zinc Plated	Commercial
W0064-F-019-015-CZ	6.35 <i>0.250</i>	19.05 <i>0.750</i>	1.52 <i>0.060</i>	To Suit 1/4 Screw	Zinc Plated	Commercial
W0064-F-019-016-C	6.35 <i>0.250</i>	19.05 <i>0.750</i>	1.6 <i>0.063</i>	To Suit 1/4 Screw	Mild Steel	Commercial
# W0064-F-022-012-C	6.35 <i>0.250</i>	22.23 <i>0.875</i>	1.21 <i>0.048</i>	To Suit 1/4 Screw	Mild Steel	Commercial
W0064-F-022-012-CZ	6.35 <i>0.250</i>	22.23 <i>0.875</i>	1.21 <i>0.048</i>	To Suit 1/4 Screw	Zinc Plated	Commercial
# W0064-F-025-013-CZC	6.35 <i>0.250</i>	25.4 <i>1.000</i>	1.25 <i>0.049</i>		Zinc chromate finish	
W0064-F-025-015-C	6.35 <i>0.250</i>	25.4 <i>1.000</i>	1.52 <i>0.060</i>	To Suit 1/4 Screw	Mild Steel	Commercial

Indicates item not stocked at time of printing - Please enquire for lead time

Page 12 of 27

E&OE Pricing and all details subject to change without notice - Copyright Miniature Bearings Australia Pty Ltd
MBA Size Listings are a guide to sizes only and must not be solely relied on for critical design information.

Washers - Flat - Mild Steel

Part Number	Nom. ID (d) mm <i>inches</i>	Nom. OD (D) mm <i>inches</i>	Thickness (T) mm <i>inches</i>	Other	Material	Grade
W0064-F-025-015-CZ	6.35 <i>0.250</i>	25.4 <i>1.000</i>	1.52 <i>0.060</i>	To Suit 1/4 Screw	Zinc Plated	Commercial
# W0064-F-032-013-CZC	6.35 <i>0.250</i>	31.75 <i>1.250</i>	1.25 <i>0.049</i>		Zinc chromate finish	
W0064-F-032-015-C	6.35 <i>0.250</i>	31.75 <i>1.250</i>	1.52 <i>0.060</i>	To Suit 1/4 Screw	Mild Steel	Commercial
W0064-F-032-015-CZ	6.35 <i>0.250</i>	31.75 <i>1.250</i>	1.52 <i>0.060</i>	To Suit 1/4 Screw	Zinc Plated	Commercial
# W0064-F-038-013-CZC	6.35 <i>0.250</i>	38.1 <i>1.500</i>	1.25 <i>0.049</i>		Zinc chromate finish	
# W0064-F-038-013-CZ	6.35 <i>0.250</i>	38.1 <i>1.500</i>	1.29 <i>0.051</i>	To Suit 1/4 Screw	Zinc Plated	Commercial
# W0064-F-051-013-CZC	6.35 <i>0.250</i>	50.8 <i>2.000</i>	1.25 <i>0.049</i>		Zinc chromate finish	
# W0064-F-051-015-C	6.35 <i>0.250</i>	50.8 <i>2.000</i>	1.52 <i>0.060</i>	To Suit 1/4 Screw	Mild Steel	Commercial
W0064-F-051-015-CZ	6.35 <i>0.250</i>	50.8 <i>2.000</i>	1.52 <i>0.060</i>	To Suit 1/4 Screw	Zinc Plated	Commercial
# W0070-F-014-016-CZC	7 <i>0.276</i>	14 <i>0.551</i>	1.6 <i>0.063</i>		Zinc Chromate Finish	

Indicates item not stocked at time of printing - Please enquire for lead time

Page 13 of 27

E&OE Pricing and all details subject to change without notice - Copyright Miniature Bearings Australia Pty Ltd
MBA Size Listings are a guide to sizes only and must not be solely relied on for critical design information.

Washers - Flat - Mild Steel

Part Number	Nom. ID (d) mm <i>inches</i>	Nom. OD (D) mm <i>inches</i>	Thickness (T) mm <i>inches</i>	Other	Material	Grade
W0079-F-013-010-CZ	7.938 <i>0.313</i>	12.7 <i>0.500</i>	1.02 <i>0.040</i>	To Suit 5/16 Screw	Zinc Plated	Commercial
W0079-F-016-012-C	7.938 <i>0.313</i>	15.875 <i>0.625</i>	1.21 <i>0.048</i>	To Suit 5/16 Screw	Mild Steel	Commercial
W0079-F-016-012-CZ	7.938 <i>0.313</i>	15.875 <i>0.625</i>	1.21 <i>0.048</i>	To Suit 5/16 Screw	Zinc Plated	Commercial
# W0079-F-017-017-CZC	7.938 <i>0.313</i>	17.48 <i>0.688</i>	1.65 <i>0.065</i>		Zinc Chromate Finish	
W0079-F-019-012-C	7.938 <i>0.313</i>	19.05 <i>0.750</i>	1.21 <i>0.048</i>	To Suit 5/16 Screw	Mild Steel	Commercial
W0079-F-019-012-CZ	7.938 <i>0.313</i>	19.05 <i>0.750</i>	1.21 <i>0.048</i>	To Suit 5/16 Screw	Zinc Plated	Commercial
W0079-F-019-015-C	7.938 <i>0.313</i>	19.05 <i>0.750</i>	1.52 <i>0.060</i>	To Suit 5/16 Screw	Mild Steel	Commercial
W0079-F-019-015-CZ	7.938 <i>0.313</i>	19.05 <i>0.750</i>	1.52 <i>0.060</i>	To Suit 5/16 Screw	Zinc Plated	Commercial
W0079-F-022-012-CZ	7.938 <i>0.313</i>	22.23 <i>0.875</i>	1.21 <i>0.048</i>	To Suit 5/16 Screw	Zinc Plated	Commercial
W0079-F-022-012-C	7.938 <i>0.313</i>	22.23 <i>0.875</i>	1.21 <i>0.048</i>	To Suit 5/16 Screw	Mild Steel	Commercial

Indicates item not stocked at time of printing - Please enquire for lead time

Page 14 of 27

E&OE Pricing and all details subject to change without notice - Copyright Miniature Bearings Australia Pty Ltd
MBA Size Listings are a guide to sizes only and must not be solely relied on for critical design information.

Washers - Flat - Mild Steel

Part Number	Nom. ID (d) mm <i>inches</i>	Nom. OD (D) mm <i>inches</i>	Thickness (T) mm <i>inches</i>	Other	Material	Grade
W0079-F-022-015-C	7.938 <i>0.313</i>	22.23 <i>0.875</i>	1.52 <i>0.060</i>	To Suit 5/16 Screw	Mild Steel	Commercial
W0079-F-022-015-CZ	7.938 <i>0.313</i>	22.23 <i>0.875</i>	1.52 <i>0.060</i>	To Suit 5/16 Screw	Zinc Plated	Commercial
# W0079-F-022-021-CZC	7.938 <i>0.313</i>	22.23 <i>0.875</i>	2.11 <i>0.083</i>		Zinc Chromate Finish	
W0079-F-025-015-C	7.938 <i>0.313</i>	25.4 <i>1.000</i>	1.52 <i>0.060</i>	To Suit 5/16 Screw	Mild Steel	Commercial
W0079-F-025-015-CZ	7.938 <i>0.313</i>	25.4 <i>1.000</i>	1.52 <i>0.060</i>	To Suit 5/16 Screw	Zinc Plated	Commercial
# W0079-F-032-013-CZC	7.938 <i>0.313</i>	31.75 <i>1.250</i>	1.25 <i>0.049</i>		Zinc chromate finish	
W0079-F-032-015-C	7.938 <i>0.313</i>	31.75 <i>1.250</i>	1.52 <i>0.060</i>	To Suit 5/16 Screw	Mild Steel	Commercial
W0079-F-032-015-CZ	7.938 <i>0.313</i>	31.75 <i>1.250</i>	1.52 <i>0.060</i>	To Suit 5/16 Screw	Zinc Plated	Commercial
# W0079-F-038-013-CZC	7.938 <i>0.313</i>	38.1 <i>1.500</i>	1.25 <i>0.049</i>		Zinc chromate finish	
W0079-F-038-015-C	7.938 <i>0.313</i>	38.1 <i>1.500</i>	1.52 <i>0.060</i>	To Suit 5/16 Screw	Mild Steel	Commercial

Indicates item not stocked at time of printing - Please enquire for lead time

Page 15 of 27

E&OE Pricing and all details subject to change without notice - Copyright Miniature Bearings Australia Pty Ltd
MBA Size Listings are a guide to sizes only and must not be solely relied on for critical design information.

Washers - Flat - Mild Steel

Part Number	Nom. ID (d) mm <i>inches</i>	Nom. OD (D) mm <i>inches</i>	Thickness (T) mm <i>inches</i>	Other	Material	Grade
W0079-F-038-015-CZ	7.938 <i>0.313</i>	38.1 <i>1.500</i>	1.52 <i>0.060</i>	To Suit 5/16 Screw	Zinc Plated	Commercial
# W0079-F-041-013-CZC	7.938 <i>0.313</i>	41.28 <i>1.625</i>	1.25 <i>0.049</i>		Zinc chromate finish	
W0079-F-051-015-CZ	7.938 <i>0.313</i>	50.8 <i>2.000</i>	1.52 <i>0.060</i>	To Suit 5/16 Screw	Zinc Plated	Commercial
W0079-F-051-015-C	7.938 <i>0.313</i>	50.8 <i>2.000</i>	1.52 <i>0.060</i>	To Suit 5/16 Screw	Mild Steel	Commercial
# W0080-F-016-011-C	8 <i>0.315</i>	16 <i>0.630</i>	1.1 <i>0.043</i>	To Suit M8 Bolt	Steel	-
W0080-F-016-016-CZ	8 <i>0.315</i>	16 <i>0.630</i>	1.6 <i>0.063</i>		Zinc Chromate Finish	
# W0080-F-016-016-HS	8 <i>0.315</i>	16 <i>0.630</i>	1.6 <i>0.063</i>		Hardened Alloy Steel with Gold Chromate Finish	
W0080-F-017-012-C	8 <i>0.315</i>	17 <i>0.669</i>	1.2 <i>0.047</i>	To Suit M8 Bolt	Steel	Commercial
W0080-F-017-012-CZ	8 <i>0.315</i>	17 <i>0.669</i>	1.2 <i>0.047</i>	To Suit M8 Bolt	Zinc Plated Steel	Commercial
W0095-F-016-012-C	9.525 <i>0.375</i>	15.875 <i>0.625</i>	1.21 <i>0.048</i>	To Suit 3/8 Bolt	Mild Steel	Commercial

Indicates item not stocked at time of printing - Please enquire for lead time

Page 16 of 27

E&OE Pricing and all details subject to change without notice - Copyright Miniature Bearings Australia Pty Ltd

MBA Size Listings are a guide to sizes only and must not be solely relied on for critical design information.

Washers - Flat - Mild Steel

Part Number	Nom. ID (d) mm <i>inches</i>	Nom. OD (D) mm <i>inches</i>	Thickness (T) mm <i>inches</i>	Other	Material	Grade
W0095-F-016-012-CZ	9.525 <i>0.375</i>	15.875 <i>0.625</i>	1.21 <i>0.048</i>	To Suit 3/8 Bolt	Zinc Plated	Commercial
W0095-F-019-012-C	9.525 <i>0.375</i>	19.05 <i>0.750</i>	1.21 <i>0.048</i>	To Suit 3/8 Bolt	Mild Steel	Commercial
W0095-F-019-012-CZ	9.525 <i>0.375</i>	19.05 <i>0.750</i>	1.21 <i>0.048</i>	To Suit 3/8 Bolt	Zinc Plated	Commercial
W0095-F-019-015-C	9.525 <i>0.375</i>	19.05 <i>0.750</i>	1.52 <i>0.060</i>	To Suit 3/8 Bolt	Mild Steel	Commercial
W0095-F-019-015-CZ	9.525 <i>0.375</i>	19.05 <i>0.750</i>	1.52 <i>0.060</i>	To Suit 3/8 Bolt	Zinc Plated	Commercial
# W0095-F-021-017-CZC	9.525 <i>0.375</i>	20.63 <i>0.812</i>	1.65 <i>0.065</i>		Zinc Chromate Finish	
W0095-F-022-012-C	9.525 <i>0.375</i>	22.23 <i>0.875</i>	1.21 <i>0.048</i>	To Suit 3/8 Bolt	Mild Steel	Commercial
W0095-F-022-012-CZ	9.525 <i>0.375</i>	22.23 <i>0.875</i>	1.21 <i>0.048</i>	To Suit 3/8 Bolt	Zinc Plated	Commercial
W0095-F-022-015-C	9.525 <i>0.375</i>	22.23 <i>0.875</i>	1.52 <i>0.060</i>	To Suit 3/8 Bolt	Mild Steel	Commercial
W0095-F-022-015-CZ	9.525 <i>0.375</i>	22.23 <i>0.875</i>	1.52 <i>0.060</i>	To Suit 3/8 Bolt	Zinc Plated	Commercial

Indicates item not stocked at time of printing - Please enquire for lead time

Page 17 of 27

E&OE Pricing and all details subject to change without notice - Copyright Miniature Bearings Australia Pty Ltd
MBA Size Listings are a guide to sizes only and must not be solely relied on for critical design information.

Washers - Flat - Mild Steel

Part Number	Nom. ID (d) mm <i>inches</i>	Nom. OD (D) mm <i>inches</i>	Thickness (T) mm <i>inches</i>	Other	Material	Grade
# W0095-F-025-013-CZC	9.525 <i>0.375</i>	25.4 <i>1.000</i>	1.25 <i>0.049</i>		Zinc chromate finish	
W0095-F-025-015-C	9.525 <i>0.375</i>	25.4 <i>1.000</i>	1.52 <i>0.060</i>	To Suit 3/8 Bolt	Mild Steel	Commercial
W0095-F-025-015-CZ	9.525 <i>0.375</i>	25.4 <i>1.000</i>	1.52 <i>0.060</i>	To Suit 3/8 Bolt	Zinc Plated	Commercial
# W0095-F-025-021-CZC	9.525 <i>0.375</i>	25.4 <i>1.000</i>	2.11 <i>0.083</i>		Zinc Chromate Finish	
# W0095-F-032-013-CZC	9.525 <i>0.375</i>	31.75 <i>1.250</i>	1.25 <i>0.049</i>		Zinc chromate finish	
W0095-F-032-015-C	9.525 <i>0.375</i>	31.75 <i>1.250</i>	1.52 <i>0.060</i>	To Suit 3/8 Bolt	Mild Steel	Commercial
W0095-F-032-015-CZ	9.525 <i>0.375</i>	31.75 <i>1.250</i>	1.52 <i>0.060</i>	To Suit 3/8 Bolt	Zinc Plated	Commercial
# W0095-F-038-013-CZC	9.525 <i>0.375</i>	38.1 <i>1.500</i>	1.25 <i>0.049</i>		Zinc chromate finish	
W0095-F-038-015-C	9.525 <i>0.375</i>	38.1 <i>1.500</i>	1.52 <i>0.060</i>	To Suit 3/8 Bolt	Mild Steel	Commercial
W0095-F-038-015-CZ	9.525 <i>0.375</i>	38.1 <i>1.500</i>	1.52 <i>0.060</i>	To Suit 3/8 Bolt	Zinc Plated	Commercial

Indicates item not stocked at time of printing - Please enquire for lead time

E&OE Pricing and all details subject to change without notice - Copyright Miniature Bearings Australia Pty Ltd
MBA Size Listings are a guide to sizes only and must not be solely relied on for critical design information.

Washers - Flat - Mild Steel

Part Number	Nom. ID (d) mm <i>inches</i>	Nom. OD (D) mm <i>inches</i>	Thickness (T) mm <i>inches</i>	Other	Material	Grade
W0095-F-048-019-C	9.525 <i>0.375</i>	47.63 <i>1.875</i>	1.9 <i>0.075</i>	To Suit 3/8 Bolt	Mild Steel	Commercial
W0095-F-048-019-CZ	9.525 <i>0.375</i>	47.63 <i>1.875</i>	1.9 <i>0.075</i>	To Suit 3/8 Bolt	Zinc Plated	Commercial
# W0095-F-051-013-CZC	9.525 <i>0.375</i>	50.8 <i>2.000</i>	1.25 <i>0.049</i>		Zinc chromate finish	
W0095-F-051-015-C	9.525 <i>0.375</i>	50.8 <i>2.000</i>	1.52 <i>0.060</i>	To Suit 3/8 Bolt	Mild Steel	Commercial
W0095-F-051-015-CZ	9.525 <i>0.375</i>	50.8 <i>2.000</i>	1.52 <i>0.060</i>	To Suit 3/8 Bolt	Zinc Plated	Commercial
W0095-F-051-027-C	9.525 <i>0.375</i>	50.8 <i>2.000</i>	2.66 <i>0.105</i>	To Suit 3/8 Bolt	Mild Steel	Commercial
W0095-F-051-027-CZ	9.525 <i>0.375</i>	50.8 <i>2.000</i>	2.66 <i>0.105</i>	To Suit 3/8 Bolt	Zinc Plated	Commercial
# W0100-F-020-015-C	10 <i>0.394</i>	20 <i>0.787</i>	1.45 <i>0.057</i>	To Suit M10 Bolt	Steel	-
W0100-F-021-016-C	10 <i>0.394</i>	21 <i>0.827</i>	1.6 <i>0.063</i>	To Suit M10 Bolt	Steel	Commercial
W0100-F-021-016-CZ	10 <i>0.394</i>	21 <i>0.827</i>	1.6 <i>0.063</i>	To Suit M10 Bolt	Zinc Plated Steel	Commercial

Indicates item not stocked at time of printing - Please enquire for lead time

Page 19 of 27

E&OE Pricing and all details subject to change without notice - Copyright Miniature Bearings Australia Pty Ltd
MBA Size Listings are a guide to sizes only and must not be solely relied on for critical design information.

Washers - Flat - Mild Steel

Part Number	Nom. ID (d) mm <i>inches</i>	Nom. OD (D) mm <i>inches</i>	Thickness (T) mm <i>inches</i>	Other	Material	Grade
# W0100-F-021-020-CZC	10 <i>0.394</i>	21 <i>0.827</i>	2 <i>0.079</i>		Zinc Chromate Finish	
W0100-F-023-020-C	10 <i>0.394</i>	22.9 <i>0.902</i>	2 <i>0.079</i>	To Suit M10 Bolt	Steel - Plain	Commercial
W0100-F-023-020-CZ	10 <i>0.394</i>	22.9 <i>0.902</i>	2 <i>0.079</i>	To Suit M10 Bolt	Zinc Plated Steel	Commercial
# W0100-F-032-015-CZ	10 <i>0.394</i>	31.75 <i>1.250</i>	1.52 <i>0.060</i>	To Suit M10 Bolt	Zinc Plated	Commercial
# W0100-F-032-015-C	10 <i>0.394</i>	31.75 <i>1.250</i>	1.52 <i>0.060</i>	To Suit M10 Bolt	Mild Steel	Commercial
# W0111-F-022-015-C	11.11 <i>0.437</i>	22.23 <i>0.875</i>	1.52 <i>0.060</i>	To Suit 7/16 Bolt	Mild Steel	Commercial
# W0111-F-022-015-CZ	11.11 <i>0.437</i>	22.23 <i>0.875</i>	1.52 <i>0.060</i>	To Suit 7/16 Bolt	Zinc Plated	Commercial
# W0111-F-023-017-CZC	11.11 <i>0.437</i>	23.42 <i>0.922</i>	1.65 <i>0.065</i>		Zinc Chromate Finish	
# W0111-F-025-015-C	11.11 <i>0.437</i>	25.4 <i>1.000</i>	1.52 <i>0.060</i>	To Suit 7/16 Bolt	Mild Steel	Commercial
W0111-F-025-015-CZ	11.11 <i>0.437</i>	25.4 <i>1.000</i>	1.52 <i>0.060</i>	To Suit 7/16 Bolt	Zinc Plated	Commercial

Indicates item not stocked at time of printing - Please enquire for lead time

Page 20 of 27

E&OE Pricing and all details subject to change without notice - Copyright Miniature Bearings Australia Pty Ltd
MBA Size Listings are a guide to sizes only and must not be solely relied on for critical design information.

Washers - Flat - Mild Steel

Part Number	Nom. ID (d) mm <i>inches</i>	Nom. OD (D) mm <i>inches</i>	Thickness (T) mm <i>inches</i>	Other	Material	Grade
# W0111-F-032-021-CZC	11.11 <i>0.437</i>	31.75 <i>1.250</i>	2.11 <i>0.083</i>		Zinc Chromate Finish	
# W0120-F-024-016-C	12 <i>0.472</i>	24 <i>0.945</i>	1.6 <i>0.063</i>	To Suit M12 Bolt	Steel	Commercial
# W0120-F-024-016-CZ	12 <i>0.472</i>	24 <i>0.945</i>	1.6 <i>0.063</i>	To Suit M12 Bolt	Zinc Plated Steel	Commercial
# W0120-F-024-018-C	12 <i>0.472</i>	24 <i>0.945</i>	1.8 <i>0.071</i>	To Suit M12 Bolt	Steel	-
# W0120-F-024-025-CZC	12 <i>0.472</i>	24 <i>0.945</i>	2.5 <i>0.098</i>		Zinc Chromate Finish	
# W0127-F-025-015-C	12.7 <i>0.500</i>	25.4 <i>1.000</i>	1.52 <i>0.060</i>	To Suit 1/2 Bolt	Mild Steel	Commercial
# W0127-F-025-015-CZ	12.7 <i>0.500</i>	25.4 <i>1.000</i>	1.52 <i>0.060</i>	To Suit 1/2 Bolt	Zinc Plated	Commercial
# W0127-F-027-024-CZC	12.7 <i>0.500</i>	26.98 <i>1.062</i>	2.41 <i>0.095</i>		Zinc Chromate Finish	
W0127-F-028-024-C	12.7 <i>0.500</i>	28 <i>1.102</i>	2.4 <i>0.094</i>	To Suit 1/2 Bolt	Steel - Plain	Commercial
# W0127-F-029-015-C	12.7 <i>0.500</i>	28.58 <i>1.125</i>	1.52 <i>0.060</i>	To Suit 1/2 Bolt	Mild Steel	Commercial

Indicates item not stocked at time of printing - Please enquire for lead time

Page 21 of 27

E&OE Pricing and all details subject to change without notice - Copyright Miniature Bearings Australia Pty Ltd
MBA Size Listings are a guide to sizes only and must not be solely relied on for critical design information.

Washers - Flat - Mild Steel

Part Number	Nom. ID (d) mm <i>inches</i>	Nom. OD (D) mm <i>inches</i>	Thickness (T) mm <i>inches</i>	Other	Material	Grade
# W0127-F-029-015-CZ	12.7 <i>0.500</i>	28.58 <i>1.125</i>	1.52 <i>0.060</i>	To Suit 1/2 Bolt	Zinc Plated	Commercial
# W0127-F-032-015-C	12.7 <i>0.500</i>	31.75 <i>1.250</i>	1.52 <i>0.060</i>	To Suit 1/2 Bolt	Mild Steel	Commercial
# W0127-F-032-015-CZ	12.7 <i>0.500</i>	31.75 <i>1.250</i>	1.52 <i>0.060</i>	To Suit 1/2 Bolt	Zinc Plated	Commercial
# W0127-F-035-028-CZC	12.7 <i>0.500</i>	34.93 <i>1.375</i>	2.77 <i>0.109</i>		Zinc Chromate Finish	
# W0127-F-038-015-CZC	12.7 <i>0.500</i>	38.1 <i>1.500</i>	1.52 <i>0.060</i>		Zinc chromate finish	
# W0127-F-038-019-C	12.7 <i>0.500</i>	38.1 <i>1.500</i>	1.9 <i>0.075</i>	To Suit 1/2 Bolt	Mild Steel	Commercial
# W0127-F-038-019-CZ	12.7 <i>0.500</i>	38.1 <i>1.500</i>	1.9 <i>0.075</i>	To Suit 1/2 Bolt	Zinc Plated	Commercial
# W0127-F-048-019-C	12.7 <i>0.500</i>	47.63 <i>1.875</i>	1.9 <i>0.075</i>	To Suit 1/2 Bolt	Mild Steel	Commercial
# W0127-F-048-019-CZ	12.7 <i>0.500</i>	47.63 <i>1.875</i>	1.9 <i>0.075</i>	To Suit 1/2 Bolt	Zinc Plated	Commercial
# W0127-F-051-015-C	12.7 <i>0.500</i>	50.8 <i>2.000</i>	1.52 <i>0.060</i>	To Suit 1/2 Bolt	Mild Steel	Commercial

Indicates item not stocked at time of printing - Please enquire for lead time

Page 22 of 27

E&OE Pricing and all details subject to change without notice - Copyright Miniature Bearings Australia Pty Ltd
MBA Size Listings are a guide to sizes only and must not be solely relied on for critical design information.

Washers - Flat - Mild Steel

Part Number	Nom. ID (d) mm <i>inches</i>	Nom. OD (D) mm <i>inches</i>	Thickness (T) mm <i>inches</i>	Other	Material	Grade
# W0127-F-051-015-CZ	12.7 <i>0.500</i>	50.8 <i>2.000</i>	1.52 <i>0.060</i>	To Suit 1/2 Bolt	Zinc Plated	Commercial
# W0127-F-051-015-CZC	12.7 <i>0.500</i>	50.8 <i>2.000</i>	1.52 <i>0.060</i>		Zinc chromate finish	
W0127-F-051-027-CZ	12.7 <i>0.500</i>	50.8 <i>2.000</i>	2.66 <i>0.105</i>	To Suit 1/2 Bolt	Zinc Plated	Commercial
# W0127-F-051-027-C	12.7 <i>0.500</i>	50.8 <i>2.000</i>	2.66 <i>0.105</i>	To Suit 1/2 Bolt	Mild Steel	Commercial
# W0140-F-028-025-CZC	14 <i>0.551</i>	28 <i>1.102</i>	2.5 <i>0.098</i>		Zinc Chromate Finish	
# W0143-F-029-015-CZ	14.3 <i>0.563</i>	28.58 <i>1.125</i>	1.52 <i>0.060</i>	To Suit 9/16 Bolt	Zinc Plated	Commercial
# W0143-F-029-015-C	14.3 <i>0.563</i>	28.58 <i>1.125</i>	1.52 <i>0.060</i>	To Suit 9/16 Bolt	Mild Steel	Commercial
# W0143-F-029-024-CZC	14.3 <i>0.563</i>	29.36 <i>1.156</i>	2.41 <i>0.095</i>		Zinc Chromate Finish	
# W0143-F-032-015-C	14.3 <i>0.563</i>	31.75 <i>1.250</i>	1.52 <i>0.060</i>	To Suit 9/16 Bolt	Mild Steel	Commercial
# W0143-F-032-015-CZ	14.3 <i>0.563</i>	31.75 <i>1.250</i>	1.52 <i>0.060</i>	To Suit 9/16 Bolt	Zinc Plated	Commercial

Indicates item not stocked at time of printing - Please enquire for lead time

Page 23 of 27

E&OE Pricing and all details subject to change without notice - Copyright Miniature Bearings Australia Pty Ltd
MBA Size Listings are a guide to sizes only and must not be solely relied on for critical design information.

Washers - Flat - Mild Steel

Part Number	Nom. ID (d) mm <i>inches</i>	Nom. OD (D) mm <i>inches</i>	Thickness (T) mm <i>inches</i>	Other	Material	Grade
# W0143-F-037-028-CZC	14.3 <i>0.563</i>	37.31 <i>1.469</i>	2.77 <i>0.109</i>		Zinc Chromate Finish	
# W0159-F-032-016-C	15.875 <i>0.625</i>	31.75 <i>1.250</i>	1.6 <i>0.063</i>	To Suit 5/8 Bolt	Mild Steel	Commercial
W0159-F-032-016-CZ	15.875 <i>0.625</i>	31.75 <i>1.250</i>	1.6 <i>0.063</i>	To Suit 5/8 Bolt	Zinc Plated	Commercial
# W0159-F-033-024-CZC	15.875 <i>0.625</i>	33.33 <i>1.312</i>	2.41 <i>0.095</i>		Zinc Chromate Finish	
# W0159-F-035-016-C	15.875 <i>0.625</i>	34.93 <i>1.375</i>	1.6 <i>0.063</i>	To Suit 5/8 Bolt	Mild Steel	Commercial
# W0159-F-035-016-CZ	15.875 <i>0.625</i>	34.93 <i>1.375</i>	1.6 <i>0.063</i>	To Suit 5/8 Bolt	Zinc Plated	Commercial
# W0159-F-044-034-CZC	15.875 <i>0.625</i>	44.45 <i>1.750</i>	3.4 <i>0.134</i>		Zinc Chromate Finish	
# W0159-F-051-015-CZ	15.875 <i>0.625</i>	50.8 <i>2.000</i>	1.52 <i>0.060</i>	To Suit 5/8 Bolt	Zinc Plated	Commercial
# W0159-F-051-015-C	15.875 <i>0.625</i>	50.8 <i>2.000</i>	1.52 <i>0.060</i>	To Suit 5/8 Bolt	Mild Steel	Commercial
W0159-F-051-027-CZ	15.875 <i>0.625</i>	50.8 <i>2.000</i>	2.66 <i>0.105</i>	To Suit 5/8 Bolt	Zinc Plated	Commercial

Indicates item not stocked at time of printing - Please enquire for lead time

Page 24 of 27

E&OE Pricing and all details subject to change without notice - Copyright Miniature Bearings Australia Pty Ltd
MBA Size Listings are a guide to sizes only and must not be solely relied on for critical design information.

Washers - Flat - Mild Steel

Part Number	Nom. ID (d) mm <i>inches</i>	Nom. OD (D) mm <i>inches</i>	Thickness (T) mm <i>inches</i>	Other	Material	Grade
# W0159-F-051-027-C	15.875 <i>0.625</i>	50.8 <i>2.000</i>	2.66 <i>0.105</i>	To Suit 5/8 Bolt	Mild Steel	Commercial
# W0160-F-030-030-CZC	16 <i>0.630</i>	30 <i>1.181</i>	3 <i>0.118</i>		Zinc Chromate Finish	
# W0160-F-034-020-CZ	16 <i>0.630</i>	33.5 <i>1.319</i>	2 <i>0.079</i>	To Suit M16 Bolt	Zinc Plated Steel	Commercial
# W0160-F-034-022-C	16 <i>0.630</i>	33.5 <i>1.319</i>	2.2 <i>0.087</i>	To Suit M16 Bolt	Steel	-
W0160-F-034-028-C	16 <i>0.630</i>	33.5 <i>1.319</i>	2.8 <i>0.110</i>	To Suit M16 Bolt	Steel	Commercial
W0160-F-034-030-CZ	16 <i>0.630</i>	33.5 <i>1.319</i>	3 <i>0.118</i>	To Suit M16 Bolt	Zinc - Yellow	Commercial
# W0180-F-034-030-CZC	18 <i>0.709</i>	34 <i>1.339</i>	3 <i>0.118</i>		Zinc Chromate Finish	
# W0191-F-037-034-CZC	19.05 <i>0.750</i>	37.31 <i>1.469</i>	3.4 <i>0.134</i>		Zinc Chromate Finish	
# W0191-F-038-019-C	19.05 <i>0.750</i>	38.1 <i>1.500</i>	1.9 <i>0.075</i>	To Suit 3/4 Bolt	Mild Steel	Commercial
# W0191-F-038-019-CZ	19.05 <i>0.750</i>	38.1 <i>1.500</i>	1.9 <i>0.075</i>	To Suit 3/4 Bolt	Zinc Plated	Commercial

Indicates item not stocked at time of printing - Please enquire for lead time

Page 25 of 27

E&OE Pricing and all details subject to change without notice - Copyright Miniature Bearings Australia Pty Ltd
MBA Size Listings are a guide to sizes only and must not be solely relied on for critical design information.

Washers - Flat - Mild Steel

Part Number	Nom. ID (d) mm <i>inches</i>	Nom. OD (D) mm <i>inches</i>	Thickness (T) mm <i>inches</i>	Other	Material	Grade
# W0191-F-051-038-CZC	19.05 <i>0.750</i>	50.8 <i>2.000</i>	3.76 <i>0.148</i>		Zinc Chromate Finish	
# W0200-F-037-020-CZ	20 <i>0.787</i>	37 <i>1.457</i>	2 <i>0.079</i>	To Suit M20 Bolt	Zinc Plated Steel	Commercial
# W0200-F-037-020-C	20 <i>0.787</i>	37 <i>1.457</i>	2 <i>0.079</i>	To Suit M20 Bolt	Steel	Commercial
# W0200-F-037-030-CZC	20 <i>0.787</i>	37 <i>1.457</i>	3 <i>0.118</i>		Zinc Chromate Finish	
W0220-F-041-019-CZ	22 <i>0.866</i>	41.28 <i>1.625</i>	1.9 <i>0.075</i>	To Suit M22 Bolt	Zinc Plated	Commercial
# W0220-F-041-019-C	22 <i>0.866</i>	41.28 <i>1.625</i>	1.9 <i>0.075</i>	To Suit M22 Bolt	Mild Steel	Commercial
# W0222-F-044-034-CZC	22.22 <i>0.875</i>	44.45 <i>1.750</i>	3.4 <i>0.134</i>		Zinc Chromate Finish	
# W0222-F-057-042-CZC	22.22 <i>0.875</i>	57.15 <i>2.250</i>	4.19 <i>0.165</i>		Zinc Chromate Finish	
# W0250-F-044-020-C	25 <i>0.984</i>	44 <i>1.732</i>	2 <i>0.079</i>	To Suit M24 Bolt	Steel	Commercial
# W0250-F-044-020-CZ	25 <i>0.984</i>	44 <i>1.732</i>	2 <i>0.079</i>	To Suit M24 Bolt	Zinc Plated Steel	Commercial

Indicates item not stocked at time of printing - Please enquire for lead time

Page 26 of 27

E&OE Pricing and all details subject to change without notice - Copyright Miniature Bearings Australia Pty Ltd
MBA Size Listings are a guide to sizes only and must not be solely relied on for critical design information.

Washers - Flat - Mild Steel

Part Number	Nom. ID (d) mm <i>inches</i>	Nom. OD (D) mm <i>inches</i>	Thickness (T) mm <i>inches</i>	Other	Material	Grade
# W0250-F-044-040-CZC	25 <i>0.984</i>	44 <i>1.732</i>	4 <i>0.157</i>		Zinc Chromate Finish	
# W0254-F-048-019-C	25.4 <i>1.000</i>	47.63 <i>1.875</i>	1.9 <i>0.075</i>	To Suit 1 Inch Bolt	Mild Steel	Commercial
# W0254-F-048-019-CZ	25.4 <i>1.000</i>	47.63 <i>1.875</i>	1.9 <i>0.075</i>	To Suit 1 Inch Bolt	Zinc Plated	Commercial
# W0254-F-051-034-CZC	25.4 <i>1.000</i>	50.8 <i>2.000</i>	3.4 <i>0.134</i>		Zinc Chromate Finish	
# W0254-F-054-019-C	25.4 <i>1.000</i>	53.98 <i>2.125</i>	1.9 <i>0.075</i>	To Suit 1 Inch Bolt	Mild Steel	Commercial
W0254-F-054-019-CZ	25.4 <i>1.000</i>	53.98 <i>2.125</i>	1.9 <i>0.075</i>	To Suit 1 Inch Bolt	Zinc Plated	Commercial
# W0254-F-064-042-CZC	25.4 <i>1.000</i>	63.5 <i>2.500</i>	4.19 <i>0.165</i>		Zinc Chromate Finish	
W0270-F-054-019-CZ	27 <i>1.063</i>	53.98 <i>2.125</i>	1.9 <i>0.075</i>	To Suit 1.1/8 Bolt	Zinc Plated	Commercial

Indicates item not stocked at time of printing - Please enquire for lead time

E&OE Pricing and all details subject to change without notice - Copyright Miniature Bearings Australia Pty Ltd
MBA Size Listings are a guide to sizes only and must not be solely relied on for critical design information.

DISTRIBUTED BY

Distributed By:

