



Washers - Flat - Sintered Bronze - Precision

10/4/2018

Indicates item not stocked at time of printing - Please enquire for lead time

E&OE Pricing and all details subject to change without notice - Copyright Miniature Bearings Australia Pty Ltd

MBA Size Listings are a guide to sizes only and must not be solely relied on for critical design information.

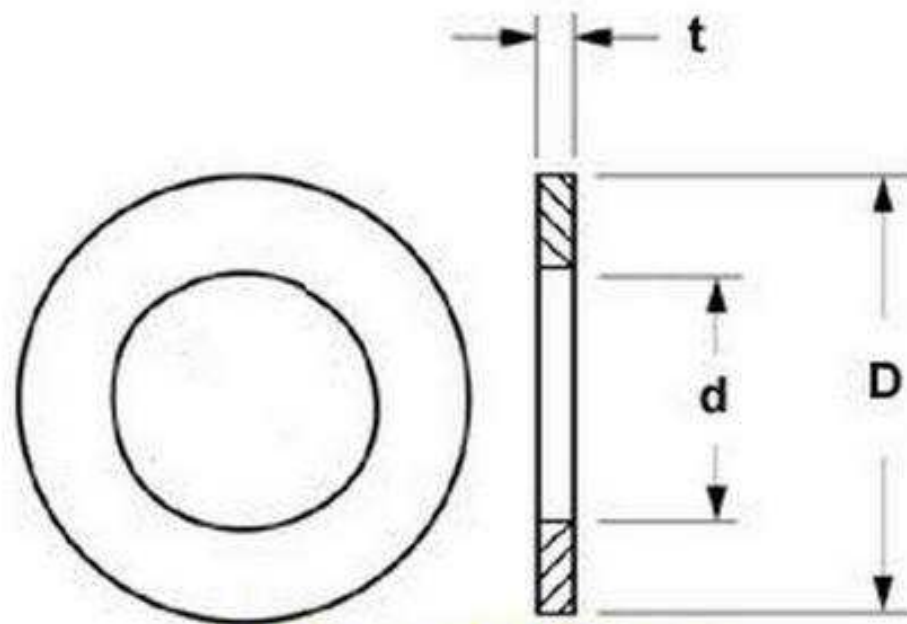
INFORMATION

Flat thrust washers made from oil impregnated sintered bronze

Indicates item not stocked at time of printing - Please enquire for lead time

E&OE Pricing and all details subject to change without notice - Copyright Miniature Bearings Australia Pty Ltd

MBA Size Listings are a guide to sizes only and must not be solely relied on for critical design information.



Shims and Washers

Indicates item not stocked at time of printing - Please enquire for lead time

E&OE Pricing and all details subject to change without notice - Copyright Miniature Bearings Australia Pty Ltd

MBA Size Listings are a guide to sizes only and must not be solely relied on for critical design information.

Washers - Flat - Sintered Bronze - Precision

Part Number	Nom. ID (d) mm <i>inches</i>	OD (D) mm <i>inches</i>	Thickness (T) mm <i>inches</i>	Other	Material	Grade
W0030-F-010-016-SB	3 <i>0.118</i>	9.5 <i>0.374</i>	1.6 <i>0.063</i>	Thrust Washer	Sintered Bronze, Self Lubricating	Precision
# W0032-F-009-016-SB	3.175 <i>0.125</i>	9.4 <i>0.370</i>	1.58 <i>0.062</i>	Thrust Washer	Sintered Bronze, Self Lubricating	Precision
W0040-F-010-016-SB	4 <i>0.157</i>	9.5 <i>0.374</i>	1.6 <i>0.063</i>	Thrust Washer	Sintered Bronze, Self Lubricating	Precision
# W0048-F-013-016-SB	4.762 <i>0.187</i>	12.57 <i>0.495</i>	1.58 <i>0.062</i>	Thrust Washer	Sintered Bronze, Self Lubricating	Precision
# W0050-F-013-016-SB	5 <i>0.197</i>	12.5 <i>0.492</i>	1.6 <i>0.063</i>	Thrust Washer	Sintered Bronze, Self Lubricating	Precision
W0060-F-013-016-SB	6 <i>0.236</i>	12.5 <i>0.492</i>	1.6 <i>0.063</i>	Thrust Washer	Sintered Bronze, Self Lubricating	Precision
# W0060-F-016-016-SB	6 <i>0.236</i>	15.875 <i>0.625</i>	1.59 <i>0.063</i>	Thrust Washer	Sintered Bronze, Self Lubricating	Precision
# W0064-F-011-016-SB	6.35 <i>0.250</i>	11.11 <i>0.437</i>	1.59 <i>0.063</i>		Sintered Bronze, Self Lubricating	Precision

Indicates item not stocked at time of printing - Please enquire for lead time

E&OE Pricing and all details subject to change without notice - Copyright Miniature Bearings Australia Pty Ltd

MBA Size Listings are a guide to sizes only and must not be solely relied on for critical design information.

Washers - Flat - Sintered Bronze - Precision

Part Number	Nom. ID (d) mm <i>inches</i>	OD (D) mm <i>inches</i>	Thickness (T) mm <i>inches</i>	Other	Material	Grade
# W0064-F-013-016-SB	6.35 <i>0.250</i>	12.7 <i>0.500</i>	1.59 <i>0.063</i>		Sintered Bronze, Self Lubricating	Precision
# W0064-F-016-016A-SB	6.35 <i>0.250</i>	15.75 <i>0.620</i>	1.58 <i>0.062</i>	Thrust Washer	Sintered Bronze, Self Lubricating	Precision
# W0064-F-016-016B-SB	6.35 <i>0.250</i>	15.875 <i>0.625</i>	1.59 <i>0.063</i>		Sintered Bronze, Self Lubricating	Precision
W0079-F-016-016-SB	7.938 <i>0.313</i>	15.875 <i>0.625</i>	1.59 <i>0.063</i>		Sintered Bronze, Self Lubricating	Precision
W0079-F-019-016A-SB	7.938 <i>0.313</i>	19.05 <i>0.750</i>	1.58 <i>0.062</i>	Thrust Washer	Sintered Bronze, Self Lubricating	Precision
W0079-F-019-016B-SB	7.938 <i>0.313</i>	19.05 <i>0.750</i>	1.59 <i>0.063</i>		Sintered Bronze, Self Lubricating	Precision
# W0080-F-019-016-SB	8 <i>0.315</i>	19 <i>0.748</i>	1.6 <i>0.063</i>	Thrust Washer	Sintered Bronze, Self Lubricating	Precision
W0095-F-016-016-SB	9.525 <i>0.375</i>	15.875 <i>0.625</i>	1.59 <i>0.063</i>		Sintered Bronze, Self Lubricating	Precision

Indicates item not stocked at time of printing - Please enquire for lead time

E&OE Pricing and all details subject to change without notice - Copyright Miniature Bearings Australia Pty Ltd

MBA Size Listings are a guide to sizes only and must not be solely relied on for critical design information.

Washers - Flat - Sintered Bronze - Precision

Part Number	Nom. ID (d) mm <i>inches</i>	OD (D) mm <i>inches</i>	Thickness (T) mm <i>inches</i>	Other	Material	Grade
# W0095-F-019-008-SB	9.525 <i>0.375</i>	19.05 <i>0.750</i>	0.79 <i>0.031</i>		Sintered Bronze, Self Lubricating	Precision
W0095-F-019-016A-SB	9.525 <i>0.375</i>	19.05 <i>0.750</i>	1.58 <i>0.062</i>	Thrust Washer	Sintered Bronze, Self Lubricating	Precision
W0095-F-019-016B-SB	9.525 <i>0.375</i>	19.05 <i>0.750</i>	1.59 <i>0.063</i>		Sintered Bronze, Self Lubricating	Precision
# W0095-F-019-032A-SB	9.525 <i>0.375</i>	19.05 <i>0.750</i>	3.18 <i>0.125</i>	Thrust Washer	Sintered Bronze, Self Lubricating	Precision
# W0095-F-019-032B-SB	9.525 <i>0.375</i>	19.05 <i>0.750</i>	3.18 <i>0.125</i>		Sintered Bronze, Self Lubricating	Precision
W0100-F-019-016-SB	10 <i>0.394</i>	19 <i>0.748</i>	1.6 <i>0.063</i>	Thrust Washer	Sintered Bronze, Self Lubricating	Precision
# W0100-F-019-032-SB	10 <i>0.394</i>	19 <i>0.748</i>	3.2 <i>0.126</i>	Thrust Washer	Sintered Bronze, Self Lubricating	Precision
# W0111-F-019-016A-SB	11.11 <i>0.437</i>	19.05 <i>0.750</i>	1.58 <i>0.062</i>	Thrust Washer	Sintered Bronze, Self Lubricating	Precision

Indicates item not stocked at time of printing - Please enquire for lead time

E&OE Pricing and all details subject to change without notice - Copyright Miniature Bearings Australia Pty Ltd

MBA Size Listings are a guide to sizes only and must not be solely relied on for critical design information.

Washers - Flat - Sintered Bronze - Precision

Part Number	Nom. ID (d) mm <i>inches</i>	OD (D) mm <i>inches</i>	Thickness (T) mm <i>inches</i>	Other	Material	Grade
# W0111-F-019-016B-SB	11.11 <i>0.437</i>	19.05 <i>0.750</i>	1.59 <i>0.063</i>	Thrust Washer	Sintered Bronze, Self Lubricating	Precision
# W0111-F-019-032-SB	11.11 <i>0.437</i>	19.05 <i>0.750</i>	3.18 <i>0.125</i>	Thrust Washer	Sintered Bronze, Self Lubricating	Precision
# W0120-F-025-016-SB	12 <i>0.472</i>	25 <i>0.984</i>	1.6 <i>0.063</i>	Thrust Washer	Sintered Bronze, Self Lubricating	Precision
# W0120-F-025-032-SB	12 <i>0.472</i>	25 <i>0.984</i>	3.2 <i>0.126</i>	Thrust Washer	Sintered Bronze, Self Lubricating	Precision
W0127-F-019-016-SB	12.7 <i>0.500</i>	19.05 <i>0.750</i>	1.59 <i>0.063</i>	Thrust Washer	Sintered Bronze, Self Lubricating	Precision
# W0127-F-022-048-SB	12.7 <i>0.500</i>	22.23 <i>0.875</i>	4.76 <i>0.187</i>		Sintered Bronze, Self Lubricating	Precision
# W0127-F-025-016A-SB	12.7 <i>0.500</i>	25.4 <i>1.000</i>	1.58 <i>0.062</i>	Thrust Washer	Sintered Bronze, Self Lubricating	Precision
# W0127-F-025-016B-SB	12.7 <i>0.500</i>	25.4 <i>1.000</i>	1.59 <i>0.063</i>		Sintered Bronze, Self Lubricating	Precision

Indicates item not stocked at time of printing - Please enquire for lead time

Page 7 of 15

E&OE Pricing and all details subject to change without notice - Copyright Miniature Bearings Australia Pty Ltd
MBA Size Listings are a guide to sizes only and must not be solely relied on for critical design information.

Washers - Flat - Sintered Bronze - Precision

Part Number	Nom. ID (d) mm <i>inches</i>	OD (D) mm <i>inches</i>	Thickness (T) mm <i>inches</i>	Other	Material	Grade
# W0127-F-025-024-SB	12.7 <i>0.500</i>	25.4 <i>1.000</i>	2.38 <i>0.094</i>		Sintered Bronze, Self Lubricating	Precision
# W0127-F-025-032-SB-A	12.7 <i>0.500</i>	25.4 <i>1.000</i>	3.18 <i>0.125</i>	Thrust Washer	Sintered Bronze, Self Lubricating	Precision
# W0127-F-025-032-SB-B	12.7 <i>0.500</i>	25.4 <i>1.000</i>	3.18 <i>0.125</i>	Thrust Washer	Sintered Bronze, Self Lubricating	Precision
# W0140-F-032-016-SB	14 <i>0.551</i>	31.75 <i>1.250</i>	1.59 <i>0.063</i>		Sintered Bronze, Self Lubricating	Precision
# W0140-F-032-032-SB	14 <i>0.551</i>	31.75 <i>1.250</i>	3.18 <i>0.125</i>		Sintered Bronze, Self Lubricating	Precision
W0159-F-025-016-SB	15.875 <i>0.625</i>	25.4 <i>1.000</i>	1.59 <i>0.063</i>		Sintered Bronze, Self Lubricating	Precision
W0159-F-025-032-SB	15.875 <i>0.625</i>	25.4 <i>1.000</i>	3.18 <i>0.125</i>		Sintered Bronze, Self Lubricating	Precision
W0159-F-030-016-SB	15.875 <i>0.625</i>	30.16 <i>1.187</i>	1.59 <i>0.063</i>		Sintered Bronze, Self Lubricating	Precision

Indicates item not stocked at time of printing - Please enquire for lead time

E&OE Pricing and all details subject to change without notice - Copyright Miniature Bearings Australia Pty Ltd

MBA Size Listings are a guide to sizes only and must not be solely relied on for critical design information.

Washers - Flat - Sintered Bronze - Precision

Part Number	Nom. ID (d) mm <i>inches</i>	OD (D) mm <i>inches</i>	Thickness (T) mm <i>inches</i>	Other	Material	Grade
# W0159-F-030-024-SB	15.875 <i>0.625</i>	30.16 <i>1.187</i>	2.38 <i>0.094</i>		Sintered Bronze, Self Lubricating	Precision
# W0159-F-030-032-SB	15.875 <i>0.625</i>	30.16 <i>1.187</i>	3.18 <i>0.125</i>		Sintered Bronze, Self Lubricating	Precision
W0159-F-032-016-SB	15.875 <i>0.625</i>	31.75 <i>1.250</i>	1.59 <i>0.063</i>		Sintered Bronze, Self Lubricating	Precision
# W0159-F-032-032-SB	15.875 <i>0.625</i>	31.75 <i>1.250</i>	3.18 <i>0.125</i>		Sintered Bronze, Self Lubricating	Precision
# W0160-F-038-016-SB	16 <i>0.630</i>	38.1 <i>1.500</i>	1.59 <i>0.063</i>		Sintered Bronze, Self Lubricating	Precision
# W0160-F-038-032-SB	16 <i>0.630</i>	38.1 <i>1.500</i>	3.18 <i>0.125</i>		Sintered Bronze, Self Lubricating	Precision
W0191-F-032-016-SB	19.05 <i>0.750</i>	31.75 <i>1.250</i>	1.59 <i>0.063</i>		Sintered Bronze, Self Lubricating	Precision
W0191-F-032-032-SB	19.05 <i>0.750</i>	31.75 <i>1.250</i>	3.18 <i>0.125</i>		Sintered Bronze, Self Lubricating	Precision

Indicates item not stocked at time of printing - Please enquire for lead time

E&OE Pricing and all details subject to change without notice - Copyright Miniature Bearings Australia Pty Ltd

MBA Size Listings are a guide to sizes only and must not be solely relied on for critical design information.

Washers - Flat - Sintered Bronze - Precision

Part Number	Nom. ID (d) mm <i>inches</i>	OD (D) mm <i>inches</i>	Thickness (T) mm <i>inches</i>	Other	Material	Grade
# W0191-F-035-016-SB	19.05 <i>0.750</i>	34.93 <i>1.375</i>	1.59 <i>0.063</i>		Sintered Bronze, Self Lubricating	Precision
# W0191-F-035-032-SB	19.05 <i>0.750</i>	34.93 <i>1.375</i>	3.18 <i>0.125</i>		Sintered Bronze, Self Lubricating	Precision
# W0191-F-035-064-SB	19.05 <i>0.750</i>	34.93 <i>1.375</i>	6.35 <i>0.250</i>		Sintered Bronze, Self Lubricating	Precision
# W0191-F-040-024-SB	19.05 <i>0.750</i>	39.69 <i>1.563</i>	2.38 <i>0.094</i>		Sintered Bronze, Self Lubricating	Precision
# W0222-F-038-016-SB	22.225 <i>0.875</i>	38.1 <i>1.500</i>	1.59 <i>0.063</i>		Sintered Bronze, Self Lubricating	Precision
# W0222-F-038-032-SB	22.225 <i>0.875</i>	38.1 <i>1.500</i>	3.18 <i>0.125</i>		Sintered Bronze, Self Lubricating	Precision
W0222-F-051-032-SB	22.225 <i>0.875</i>	50.8 <i>2.000</i>	3.18 <i>0.125</i>		Sintered Bronze, Self Lubricating	Precision
# W0222-F-054-032-SB	22.225 <i>0.875</i>	53.98 <i>2.125</i>	3.18 <i>0.125</i>		Sintered Bronze, Self Lubricating	Precision

Indicates item not stocked at time of printing - Please enquire for lead time

Page 10 of 15

E&OE Pricing and all details subject to change without notice - Copyright Miniature Bearings Australia Pty Ltd
MBA Size Listings are a guide to sizes only and must not be solely relied on for critical design information.

Washers - Flat - Sintered Bronze - Precision

Part Number	Nom. ID (d) mm <i>inches</i>	OD (D) mm <i>inches</i>	Thickness (T) mm <i>inches</i>	Other	Material	Grade
# W0254-F-038-016-SB	25.4 <i>1.000</i>	38.1 <i>1.500</i>	1.59 <i>0.063</i>		Sintered Bronze, Self Lubricating	Precision
# W0254-F-038-032-SB	25.4 <i>1.000</i>	38.1 <i>1.500</i>	3.18 <i>0.125</i>		Sintered Bronze, Self Lubricating	Precision
# W0254-F-038-048-SB	25.4 <i>1.000</i>	38.1 <i>1.500</i>	4.76 <i>0.187</i>		Sintered Bronze, Self Lubricating	Precision
# W0254-F-041-016-SB	25.4 <i>1.000</i>	41.28 <i>1.625</i>	1.59 <i>0.063</i>		Sintered Bronze, Self Lubricating	Precision
# W0254-F-041-032-SB	25.4 <i>1.000</i>	41.28 <i>1.625</i>	3.18 <i>0.125</i>		Sintered Bronze, Self Lubricating	Precision
# W0254-F-041-064-SB	25.4 <i>1.000</i>	41.28 <i>1.625</i>	6.35 <i>0.250</i>		Sintered Bronze, Self Lubricating	Precision
W0254-F-044-016-SB	25.4 <i>1.000</i>	44.45 <i>1.750</i>	1.59 <i>0.063</i>		Sintered Bronze, Self Lubricating	Precision
# W0254-F-044-032-SB	25.4 <i>1.000</i>	44.45 <i>1.750</i>	3.18 <i>0.125</i>		Sintered Bronze, Self Lubricating	Precision

Indicates item not stocked at time of printing - Please enquire for lead time

E&OE Pricing and all details subject to change without notice - Copyright Miniature Bearings Australia Pty Ltd

MBA Size Listings are a guide to sizes only and must not be solely relied on for critical design information.

Washers - Flat - Sintered Bronze - Precision

Part Number	Nom. ID (d) mm <i>inches</i>	OD (D) mm <i>inches</i>	Thickness (T) mm <i>inches</i>	Other	Material	Grade
# W0254-F-051-032-SB	25.4 <i>1.000</i>	50.8 <i>2.000</i>	3.18 <i>0.125</i>		Sintered Bronze, Self Lubricating	Precision
# W0254-F-051-048-SB	25.4 <i>1.000</i>	50.8 <i>2.000</i>	4.76 <i>0.187</i>		Sintered Bronze, Self Lubricating	Precision
# W0254-F-073-032-SB	25.4 <i>1.000</i>	73.03 <i>2.875</i>	3.18 <i>0.125</i>		Sintered Bronze, Self Lubricating	Precision
# W0260-F-060-016-SB	26 <i>1.024</i>	60.33 <i>2.375</i>	1.59 <i>0.063</i>		Sintered Bronze, Self Lubricating	Precision
# W0260-F-060-032-SB	26 <i>1.024</i>	60.33 <i>2.375</i>	3.18 <i>0.125</i>		Sintered Bronze, Self Lubricating	Precision
# W0285-F-048-032-SB	28.525 <i>1.123</i>	47.63 <i>1.875</i>	3.18 <i>0.125</i>		Sintered Bronze, Self Lubricating	Precision
# W0285-F-059-032-SB	28.525 <i>1.123</i>	58.737 <i>2.312</i>	3.18 <i>0.125</i>		Sintered Bronze, Self Lubricating	Precision
# W0318-F-043-032-SB	31.75 <i>1.250</i>	42.93 <i>1.690</i>	3.18 <i>0.125</i>		Sintered Bronze, Self Lubricating	Precision

Indicates item not stocked at time of printing - Please enquire for lead time

E&OE Pricing and all details subject to change without notice - Copyright Miniature Bearings Australia Pty Ltd
MBA Size Listings are a guide to sizes only and must not be solely relied on for critical design information.

Washers - Flat - Sintered Bronze - Precision

Part Number	Nom. ID (d) mm <i>inches</i>	OD (D) mm <i>inches</i>	Thickness (T) mm <i>inches</i>	Other	Material	Grade
W0318-F-051-016-SB	31.75 <i>1.250</i>	50.8 <i>2.000</i>	1.59 <i>0.063</i>		Sintered Bronze, Self Lubricating	Precision
W0318-F-051-032-SB	31.75 <i>1.250</i>	50.8 <i>2.000</i>	3.18 <i>0.125</i>		Sintered Bronze, Self Lubricating	Precision
# W0318-F-060-016-SB	31.75 <i>1.250</i>	60.33 <i>2.375</i>	1.59 <i>0.063</i>		Sintered Bronze, Self Lubricating	Precision
# W0318-F-060-032-SB	31.75 <i>1.250</i>	60.33 <i>2.375</i>	3.18 <i>0.125</i>		Sintered Bronze, Self Lubricating	Precision
# W0318-F-084-016-SB	31.75 <i>1.250</i>	84.13 <i>3.312</i>	1.59 <i>0.063</i>		Sintered Bronze, Self Lubricating	Precision
# W0318-F-084-032-SB	31.75 <i>1.250</i>	84.13 <i>3.312</i>	3.18 <i>0.125</i>		Sintered Bronze, Self Lubricating	Precision
# W0350-F-049-032-SB	35 <i>1.378</i>	49.28 <i>1.940</i>	3.18 <i>0.125</i>		Sintered Bronze, Self Lubricating	Precision
# W0380-F-051-032-SB	38 <i>1.496</i>	50.8 <i>2.000</i>	3.18 <i>0.125</i>		Sintered Bronze, Self Lubricating	Precision

Indicates item not stocked at time of printing - Please enquire for lead time

Page 13 of 15

E&OE Pricing and all details subject to change without notice - Copyright Miniature Bearings Australia Pty Ltd

MBA Size Listings are a guide to sizes only and must not be solely relied on for critical design information.

Washers - Flat - Sintered Bronze - Precision

Part Number	Nom. ID (d) mm <i>inches</i>	OD (D) mm <i>inches</i>	Thickness (T) mm <i>inches</i>	Other	Material	Grade
# W0380-F-064-032-SB	38 <i>1.496</i>	63.63 <i>2.505</i>	3.18 <i>0.125</i>		Sintered Bronze, Self Lubricating	Precision
# W0380-F-089-048-SB	38 <i>1.496</i>	88.9 <i>3.500</i>	4.76 <i>0.187</i>		Sintered Bronze, Self Lubricating	Precision
# W0400-F-062-032-SB	40 <i>1.575</i>	61.91 <i>2.437</i>	3.18 <i>0.125</i>		Sintered Bronze, Self Lubricating	Precision
# W0440-F-062-032-SB	44 <i>1.732</i>	61.98 <i>2.440</i>	3.18 <i>0.125</i>		Sintered Bronze, Self Lubricating	Precision
# W0440-F-067-032-SB	44 <i>1.732</i>	66.68 <i>2.625</i>	3.18 <i>0.125</i>		Sintered Bronze, Self Lubricating	Precision
# W0480-F-067-032-SB	48 <i>1.890</i>	66.68 <i>2.625</i>	3.18 <i>0.125</i>		Sintered Bronze, Self Lubricating	Precision
# W0504-F-076-032-SB	50.4 <i>1.984</i>	76.2 <i>3.000</i>	3.18 <i>0.125</i>		Sintered Bronze, Self Lubricating	Precision
# W0504-F-076-048-SB	50.4 <i>1.984</i>	76.2 <i>3.000</i>	4.76 <i>0.187</i>		Sintered Bronze, Self Lubricating	Precision

Indicates item not stocked at time of printing - Please enquire for lead time

E&OE Pricing and all details subject to change without notice - Copyright Miniature Bearings Australia Pty Ltd

MBA Size Listings are a guide to sizes only and must not be solely relied on for critical design information.

Washers - Flat - Sintered Bronze - Precision

Part Number	Nom. ID (d) mm <i>inches</i>	OD (D) mm <i>inches</i>	Thickness (T) mm <i>inches</i>	Other	Material	Grade
# W0504-F-076-064-SB	50.4 <i>1.984</i>	76.2 <i>3.000</i>	6.35 <i>0.250</i>		Sintered Bronze, Self Lubricating	Precision
# W0504-F-092-048-SB	50.4 <i>1.984</i>	92.08 <i>3.625</i>	4.76 <i>0.187</i>		Sintered Bronze, Self Lubricating	Precision
# W0572-F-089-032-SB	57.15 <i>2.250</i>	88.9 <i>3.500</i>	3.18 <i>0.125</i>		Sintered Bronze, Self Lubricating	Precision
# W0600-F-083-032-SB	60 <i>2.362</i>	82.55 <i>3.250</i>	3.18 <i>0.125</i>		Sintered Bronze, Self Lubricating	Precision
# W0700-F-098-064-SB	70 <i>2.756</i>	98.43 <i>3.875</i>	6.35 <i>0.250</i>		Sintered Bronze, Self Lubricating	Precision

Indicates item not stocked at time of printing - Please enquire for lead time

E&OE Pricing and all details subject to change without notice - Copyright Miniature Bearings Australia Pty Ltd
MBA Size Listings are a guide to sizes only and must not be solely relied on for critical design information.

DISTRIBUTED BY

Distributed By:

