



# Washers - Flat - Stainless Steel - Precision Shim

10/4/2018

# Indicates item not stocked at time of printing - Please enquire for lead time

E&OE Pricing and all details subject to change without notice - Copyright Miniature Bearings Australia Pty Ltd

MBA Size Listings are a guide to sizes only and must not be solely relied on for critical design information.

Page 1 of 17

## INFORMATION

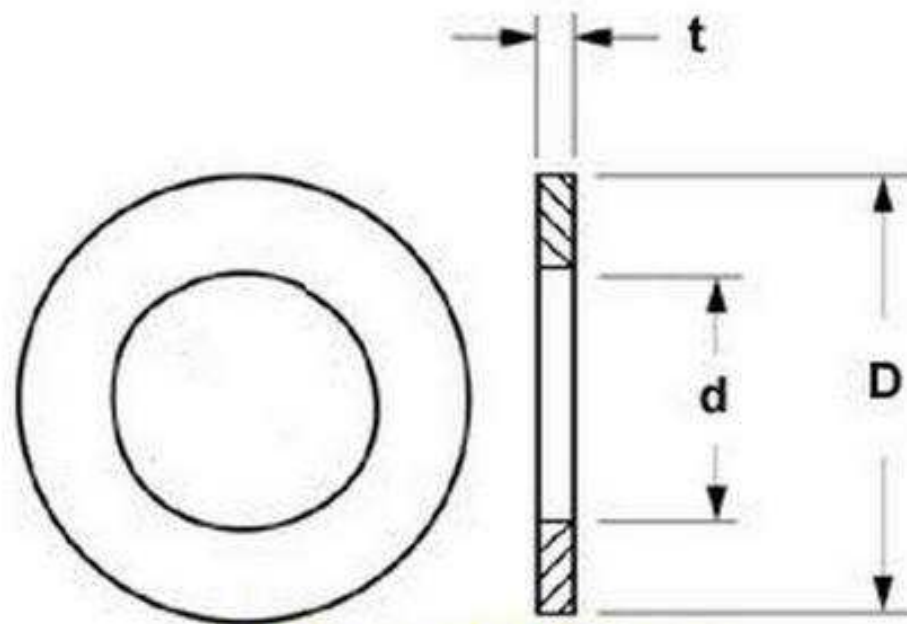
Precision Tolerances.

This catalogue to be read in conjunction with information at  
<http://www.minibearings.com.au//partslist/spacersroundthroughbore/roundspacers/all/1/3/>

# Indicates item not stocked at time of printing - Please enquire for lead time

E&OE Pricing and all details subject to change without notice - Copyright Miniature Bearings Australia Pty Ltd

MBA Size Listings are a guide to sizes only and must not be solely relied on for critical design information.



**Shims and Washers**

# Indicates item not stocked at time of printing - Please enquire for lead time

E&OE Pricing and all details subject to change without notice - Copyright Miniature Bearings Australia Pty Ltd

MBA Size Listings are a guide to sizes only and must not be solely relied on for critical design information.

## Washers - Flat - Stainless Steel - Precision Shim

Part Number	Nom. ID (d) mm <i>inches</i>	OD (D) mm <i>inches</i>	Thickness (T) mm <i>inches</i>	Other	Other	Other	Other	Material	Grade	Other
# W0015-FP-003-0001-S400	1.5 <i>0.059</i>	3 <i>0.118</i>	0.01 <i>0.000</i>					Heat Treated 400 Grade Stainless Steel, Edges Radiused	Precision	
# W0015-FP-003-0010-S400	1.5 <i>0.059</i>	3 <i>0.118</i>	0.1 <i>0.004</i>					Heat Treated 400 Grade Stainless Steel, Edges Radiused	Precision	
W0020-FP-004-0008-S400	2 <i>0.079</i>	3.5 <i>0.138</i>	0.08 <i>0.003</i>					Heat Treated 400 Grade Stainless Steel, Edges Radiused	Precision	
W0020-FP-004-0010-S400	2 <i>0.079</i>	3.5 <i>0.138</i>	0.1 <i>0.004</i>					Heat Treated 400 Grade Stainless Steel, Edges Radiused	Precision	
W0025-FP-004-0008-S400	2.5 <i>0.098</i>	4 <i>0.157</i>	0.08 <i>0.003</i>					Heat Treated 400 Grade Stainless Steel, Edges Radiused	Precision	

# Indicates item not stocked at time of printing - Please enquire for lead time

E&OE Pricing and all details subject to change without notice - Copyright Miniature Bearings Australia Pty Ltd

MBA Size Listings are a guide to sizes only and must not be solely relied on for critical design information.

## Washers - Flat - Stainless Steel - Precision Shim

Part Number	Nom. ID (d) mm <i>inches</i>	OD (D) mm <i>inches</i>	Thickness (T) mm <i>inches</i>	Other	Other	Other	Other	Material	Grade	Other
W0025-FP-004-0010-S400	2.5 <i>0.098</i>	4 <i>0.157</i>	0.1 <i>0.004</i>					Heat Treated 400 Grade Stainless Steel, Edges Radiused	Precision	
W0030-FP-005-0008-S400	3 <i>0.118</i>	4.5 <i>0.177</i>	0.08 <i>0.003</i>					Heat Treated 400 Grade Stainless Steel, Edges Radiused	Precision	
W0030-FP-005-0010-S400	3 <i>0.118</i>	4.5 <i>0.177</i>	0.1 <i>0.004</i>					Heat Treated 400 Grade Stainless Steel, Edges Radiused	Precision	
W0030-FP-005-0012-S400	3 <i>0.118</i>	4.5 <i>0.177</i>	0.12 <i>0.005</i>					Heat Treated 400 Grade Stainless Steel, Edges Radiused	Precision	
W0035-FP-005-0008-S400	3.5 <i>0.138</i>	5 <i>0.197</i>	0.08 <i>0.003</i>					Heat Treated 400 Grade Stainless Steel, Edges Radiused	Precision	

# Indicates item not stocked at time of printing - Please enquire for lead time

E&OE Pricing and all details subject to change without notice - Copyright Miniature Bearings Australia Pty Ltd

MBA Size Listings are a guide to sizes only and must not be solely relied on for critical design information.

## Washers - Flat - Stainless Steel - Precision Shim

Part Number	Nom. ID (d) mm <i>inches</i>	OD (D) mm <i>inches</i>	Thickness (T) mm <i>inches</i>	Other	Other	Other	Other	Material	Grade	Other
W0035-FP-005-0010-S400	3.5 <i>0.138</i>	5 <i>0.197</i>	0.1 <i>0.004</i>					Heat Treated 400 Grade Stainless Steel, Edges Radiused	Precision	
W0035-FP-005-0012-S400	3.5 <i>0.138</i>	5 <i>0.197</i>	0.12 <i>0.005</i>					Heat Treated 400 Grade Stainless Steel, Edges Radiused	Precision	
W0040-FP-006-0010-S400	4 <i>0.157</i>	6 <i>0.236</i>	0.1 <i>0.004</i>					Heat Treated 400 Grade Stainless Steel, Edges Radiused	Precision	
W0040-FP-006-0012-S400	4 <i>0.157</i>	6 <i>0.236</i>	0.12 <i>0.005</i>					Heat Treated 400 Grade Stainless Steel, Edges Radiused	Precision	
W0040-FP-006-0015-S400	4 <i>0.157</i>	6 <i>0.236</i>	0.15 <i>0.006</i>					Heat Treated 400 Grade Stainless Steel, Edges Radiused	Precision	

# Indicates item not stocked at time of printing - Please enquire for lead time

E&OE Pricing and all details subject to change without notice - Copyright Miniature Bearings Australia Pty Ltd

MBA Size Listings are a guide to sizes only and must not be solely relied on for critical design information.

## Washers - Flat - Stainless Steel - Precision Shim

Part Number	Nom. ID (d) mm <i>inches</i>	OD (D) mm <i>inches</i>	Thickness (T) mm <i>inches</i>	Other	Other	Other	Other	Material	Grade	Other
# W0045-FP-006-0010-S400	4.5	6.35	0.1					Heat Treated 400 Grade Stainless Steel, Edges Radiused	Precision	
	<i>0.177</i>	<i>0.250</i>	<i>0.004</i>							
W0045-FP-006-0012-S400	4.5	6.35	0.12					Heat Treated 400 Grade Stainless Steel, Edges Radiused	Precision	
	<i>0.177</i>	<i>0.250</i>	<i>0.005</i>							
# W0045-FP-006-0015-S400	4.5	6.35	0.15					Heat Treated 400 Grade Stainless Steel, Edges Radiused	Precision	
	<i>0.177</i>	<i>0.250</i>	<i>0.006</i>							
W0050-FP-007-0010-S400	5	7	0.1					Heat Treated 400 Grade Stainless Steel, Edges Radiused	Precision	
	<i>0.197</i>	<i>0.276</i>	<i>0.004</i>							
# W0050-FP-007-0012-S400	5	7	0.12					Heat Treated 400 Grade Stainless Steel, Edges Radiused	Precision	
	<i>0.197</i>	<i>0.276</i>	<i>0.005</i>							

# Indicates item not stocked at time of printing - Please enquire for lead time

E&OE Pricing and all details subject to change without notice - Copyright Miniature Bearings Australia Pty Ltd

MBA Size Listings are a guide to sizes only and must not be solely relied on for critical design information.

## Washers - Flat - Stainless Steel - Precision Shim

Part Number	Nom. ID (d) mm <i>inches</i>	OD (D) mm <i>inches</i>	Thickness (T) mm <i>inches</i>	Other	Other	Other	Other	Material	Grade	Other
W0050-FP-007-0015-S400	5 <i>0.197</i>	7 <i>0.276</i>	0.15 <i>0.006</i>					Heat Treated 400 Grade Stainless Steel, Edges Radiused	Precision	
W0060-FP-008-0012-S400	6 <i>0.236</i>	8 <i>0.315</i>	0.12 <i>0.005</i>					Heat Treated 400 Grade Stainless Steel, Edges Radiused	Precision	
W0060-FP-008-0015-S400	6 <i>0.236</i>	8 <i>0.315</i>	0.15 <i>0.006</i>					Heat Treated 400 Grade Stainless Steel, Edges Radiused	Precision	
W0060-FP-008-0018-S400	6 <i>0.236</i>	8 <i>0.315</i>	0.18 <i>0.007</i>					Heat Treated 400 Grade Stainless Steel, Edges Radiused	Precision	
W0064-FP-010-0008-S400	6.35 <i>0.250</i>	9.525 <i>0.375</i>	0.08 <i>0.003</i>					302 Stainless Steel	Precision	
W0064-FP-010-0013-S2	6.35 <i>0.250</i>	9.525 <i>0.375</i>	0.13 <i>0.005</i>					302 Stainless Steel	Precision	

# Indicates item not stocked at time of printing - Please enquire for lead time

E&OE Pricing and all details subject to change without notice - Copyright Miniature Bearings Australia Pty Ltd

MBA Size Listings are a guide to sizes only and must not be solely relied on for critical design information.



## Washers - Flat - Stainless Steel - Precision Shim

Part Number	Nom. ID (d) mm <i>inches</i>	OD (D) mm <i>inches</i>	Thickness (T) mm <i>inches</i>	Other	Other	Other	Other	Material	Grade	Other
W0064-FP-010-0018-S2	6.35 <i>0.250</i>	9.525 <i>0.375</i>	0.18 <i>0.007</i>					302 Stainless Steel	Precision	
W0064-FP-010-0025-S2	6.35 <i>0.250</i>	9.525 <i>0.375</i>	0.25 <i>0.010</i>					302 Stainless Steel	Precision	
W0064-FP-010-005-S2	6.35 <i>0.250</i>	9.525 <i>0.375</i>	0.51 <i>0.020</i>					302 Stainless Steel	Precision	
W0070-FP-009-0012-S400	7 <i>0.276</i>	9 <i>0.354</i>	0.12 <i>0.005</i>					Heat Treated 400 Grade Stainless Steel, Edges Radiused	Precision	
W0070-FP-009-0015-S400	7 <i>0.276</i>	9 <i>0.354</i>	0.15 <i>0.006</i>					Heat Treated 400 Grade Stainless Steel, Edges Radiused	Precision	
W0070-FP-009-0018-S400	7 <i>0.276</i>	9 <i>0.354</i>	0.18 <i>0.007</i>					Heat Treated 400 Grade Stainless Steel, Edges Radiused	Precision	

# Indicates item not stocked at time of printing - Please enquire for lead time

E&OE Pricing and all details subject to change without notice - Copyright Miniature Bearings Australia Pty Ltd

MBA Size Listings are a guide to sizes only and must not be solely relied on for critical design information.

## Washers - Flat - Stainless Steel - Precision Shim

Part Number	Nom. ID (d) mm <i>inches</i>	OD (D) mm <i>inches</i>	Thickness (T) mm <i>inches</i>	Other	Other	Other	Other	Material	Grade	Other
W0080-FP-010-0015-S400	8 <i>0.315</i>	10 <i>0.394</i>	0.15 <i>0.006</i>					Heat Treated 400 Grade Stainless Steel, Edges Radiused	Precision	
W0080-FP-010-0018-S400	8 <i>0.315</i>	10 <i>0.394</i>	0.18 <i>0.007</i>					Heat Treated 400 Grade Stainless Steel, Edges Radiused	Precision	
W0080-FP-010-0020-S400	8 <i>0.315</i>	10 <i>0.394</i>	0.2 <i>0.008</i>					Heat Treated 400 Grade Stainless Steel, Edges Radiused	Precision	
W0090-FP-011-0015-S400	9 <i>0.354</i>	11 <i>0.433</i>	0.15 <i>0.006</i>					Heat Treated 400 Grade Stainless Steel, Edges Radiused	Precision	
W0090-FP-011-0018-S400	9 <i>0.354</i>	11 <i>0.433</i>	0.18 <i>0.007</i>					Heat Treated 400 Grade Stainless Steel, Edges Radiused	Precision	

# Indicates item not stocked at time of printing - Please enquire for lead time

E&OE Pricing and all details subject to change without notice - Copyright Miniature Bearings Australia Pty Ltd

MBA Size Listings are a guide to sizes only and must not be solely relied on for critical design information.

## Washers - Flat - Stainless Steel - Precision Shim

Part Number	Nom. ID (d) mm <i>inches</i>	OD (D) mm <i>inches</i>	Thickness (T) mm <i>inches</i>	Other	Other	Other	Other	Material	Grade	Other
W0090-FP-011-0020-S400	9 <i>0.354</i>	11 <i>0.433</i>	0.2 <i>0.008</i>					Heat Treated 400 Grade Stainless Steel, Edges Radiused	Precision	
W0095-FP-013-0008-S2	9.525 <i>0.375</i>	12.7 <i>0.500</i>	0.08 <i>0.003</i>					302 Stainless Steel	Precision	
# W0095-FP-013-0013-S2	9.525 <i>0.375</i>	12.7 <i>0.500</i>	0.13 <i>0.005</i>					302 Stainless Steel	Precision	
# W0095-FP-013-0018-S2	9.525 <i>0.375</i>	12.7 <i>0.500</i>	0.18 <i>0.007</i>					302 Stainless Steel	Precision	
W0095-FP-013-0025-S2	9.525 <i>0.375</i>	12.7 <i>0.500</i>	0.25 <i>0.010</i>					302 Stainless Steel	Precision	
# W0095-FP-013-005-S2	9.525 <i>0.375</i>	12.7 <i>0.500</i>	0.51 <i>0.020</i>					302 Stainless Steel	Precision	
W0100-FP-012-0018-S400	10 <i>0.394</i>	12 <i>0.472</i>	0.18 <i>0.007</i>					Heat Treated 400 Grade Stainless Steel, Edges Radiused	Precision	

# Indicates item not stocked at time of printing - Please enquire for lead time

E&OE Pricing and all details subject to change without notice - Copyright Miniature Bearings Australia Pty Ltd

MBA Size Listings are a guide to sizes only and must not be solely relied on for critical design information.

## Washers - Flat - Stainless Steel - Precision Shim

Part Number	Nom. ID (d) mm <i>inches</i>	OD (D) mm <i>inches</i>	Thickness (T) mm <i>inches</i>	Other	Other	Other	Other	Material	Grade	Other
W0100-FP-012-0020-S400	10 <i>0.394</i>	12 <i>0.472</i>	0.2 <i>0.008</i>					Heat Treated 400 Grade Stainless Steel, Edges Radiused	Precision	
W0100-FP-012-0022-S400	10 <i>0.394</i>	12 <i>0.472</i>	0.22 <i>0.009</i>					Heat Treated 400 Grade Stainless Steel, Edges Radiused	Precision	
W0110-FP-013-0018-S400	11 <i>0.433</i>	13 <i>0.512</i>	0.18 <i>0.007</i>					Heat Treated 400 Grade Stainless Steel, Edges Radiused	Precision	
W0110-FP-013-0020-S400	11 <i>0.433</i>	13 <i>0.512</i>	0.2 <i>0.008</i>					Heat Treated 400 Grade Stainless Steel, Edges Radiused	Precision	
W0110-FP-013-0022-S400	11 <i>0.433</i>	13 <i>0.512</i>	0.22 <i>0.009</i>					Heat Treated 400 Grade Stainless Steel, Edges Radiused	Precision	

# Indicates item not stocked at time of printing - Please enquire for lead time

E&OE Pricing and all details subject to change without notice - Copyright Miniature Bearings Australia Pty Ltd

MBA Size Listings are a guide to sizes only and must not be solely relied on for critical design information.

## Washers - Flat - Stainless Steel - Precision Shim

Part Number	Nom. ID (d) mm <i>inches</i>	OD (D) mm <i>inches</i>	Thickness (T) mm <i>inches</i>	Other	Other	Other	Other	Material	Grade	Other
W0120-FP-014-0020-S400	12 <i>0.472</i>	14 <i>0.551</i>	0.2 <i>0.008</i>					Heat Treated 400 Grade Stainless Steel, Edges Radiused	Precision	
W0120-FP-014-0022-S400	12 <i>0.472</i>	14 <i>0.551</i>	0.22 <i>0.009</i>					Heat Treated 400 Grade Stainless Steel, Edges Radiused	Precision	
W0120-FP-014-0025-S400	12 <i>0.472</i>	14 <i>0.551</i>	0.25 <i>0.010</i>					Heat Treated 400 Grade Stainless Steel, Edges Radiused	Precision	
# W0127-FP-016-0008-S2	12.7 <i>0.500</i>	15.875 <i>0.625</i>	0.08 <i>0.003</i>					302 Stainless Steel	Precision	
# W0127-FP-016-0013-S2	12.7 <i>0.500</i>	15.875 <i>0.625</i>	0.13 <i>0.005</i>					302 Stainless Steel	Precision	
# W0127-FP-016-0018-S2	12.7 <i>0.500</i>	15.875 <i>0.625</i>	0.18 <i>0.007</i>					302 Stainless Steel	Precision	

# Indicates item not stocked at time of printing - Please enquire for lead time

E&OE Pricing and all details subject to change without notice - Copyright Miniature Bearings Australia Pty Ltd

MBA Size Listings are a guide to sizes only and must not be solely relied on for critical design information.

## Washers - Flat - Stainless Steel - Precision Shim

Part Number	Nom. ID (d) mm <i>inches</i>	OD (D) mm <i>inches</i>	Thickness (T) mm <i>inches</i>	Other	Other	Other	Other	Material	Grade	Other
# W0127-FP-016-0025-S2	12.7 <i>0.500</i>	15.875 <i>0.625</i>	0.25 <i>0.010</i>					302 Stainless Steel	Precision	
# W0127-FP-016-005-S2	12.7 <i>0.500</i>	15.875 <i>0.625</i>	0.51 <i>0.020</i>					302 Stainless Steel	Precision	
W0130-FP-015-0020-S400	13 <i>0.512</i>	15 <i>0.591</i>	0.2 <i>0.008</i>					Heat Treated 400 Grade Stainless Steel, Edges Radiused	Precision	
W0130-FP-015-0022-S400	13 <i>0.512</i>	15 <i>0.591</i>	0.22 <i>0.009</i>					Heat Treated 400 Grade Stainless Steel, Edges Radiused	Precision	
W0130-FP-015-0025-S400	13 <i>0.512</i>	15 <i>0.591</i>	0.25 <i>0.010</i>					Heat Treated 400 Grade Stainless Steel, Edges Radiused	Precision	
W0140-FP-016-0022-S400	14 <i>0.551</i>	16 <i>0.630</i>	0.22 <i>0.009</i>					Heat Treated 400 Grade Stainless Steel, Edges Radiused	Precision	

# Indicates item not stocked at time of printing - Please enquire for lead time

E&OE Pricing and all details subject to change without notice - Copyright Miniature Bearings Australia Pty Ltd

MBA Size Listings are a guide to sizes only and must not be solely relied on for critical design information.

## Washers - Flat - Stainless Steel - Precision Shim

Part Number	Nom. ID (d) mm <i>inches</i>	OD (D) mm <i>inches</i>	Thickness (T) mm <i>inches</i>	Other	Other	Other	Other	Material	Grade	Other
W0140-FP-016-0025-S400	14 <i>0.551</i>	16 <i>0.630</i>	0.25 <i>0.010</i>					Heat Treated 400 Grade Stainless Steel, Edges Radiused	Precision	
W0140-FP-016-0030-S400	14 <i>0.551</i>	16 <i>0.630</i>	0.3 <i>0.012</i>					Heat Treated 400 Grade Stainless Steel, Edges Radiused	Precision	
W0150-FP-017-0022-S400	15 <i>0.591</i>	17 <i>0.669</i>	0.22 <i>0.009</i>					Heat Treated 400 Grade Stainless Steel, Edges Radiused	Precision	
W0150-FP-017-0025-S400	15 <i>0.591</i>	17 <i>0.669</i>	0.25 <i>0.010</i>					Heat Treated 400 Grade Stainless Steel, Edges Radiused	Precision	
W0150-FP-017-0030-S400	15 <i>0.591</i>	17 <i>0.669</i>	0.3 <i>0.012</i>					Heat Treated 400 Grade Stainless Steel, Edges Radiused	Precision	

# Indicates item not stocked at time of printing - Please enquire for lead time

E&OE Pricing and all details subject to change without notice - Copyright Miniature Bearings Australia Pty Ltd

MBA Size Listings are a guide to sizes only and must not be solely relied on for critical design information.

## Washers - Flat - Stainless Steel - Precision Shim

Part Number	Nom. ID (d) mm <i>inches</i>	OD (D) mm <i>inches</i>	Thickness (T) mm <i>inches</i>	Other	Other	Other	Other	Material	Grade	Other
# W0159-FP-022-0008-S2	15.875 <i>0.625</i>	22.225 <i>0.875</i>	0.08 <i>0.003</i>					302 Stainless Steel	Precision	
# W0159-FP-022-0013-S2	15.875 <i>0.625</i>	22.225 <i>0.875</i>	0.13 <i>0.005</i>					302 Stainless Steel	Precision	
# W0159-FP-022-0018-S2	15.875 <i>0.625</i>	22.225 <i>0.875</i>	0.18 <i>0.007</i>					302 Stainless Steel	Precision	
# W0159-FP-022-0025-S2	15.875 <i>0.625</i>	22.225 <i>0.875</i>	0.25 <i>0.010</i>					302 Stainless Steel	Precision	
W0159-FP-022-005-S2	15.875 <i>0.625</i>	22.225 <i>0.875</i>	0.51 <i>0.020</i>					302 Stainless Steel	Precision	
W0160-FP-019-0025-S400	16 <i>0.630</i>	19 <i>0.748</i>	0.25 <i>0.010</i>					Heat Treated 400 Grade Stainless Steel, Edges Radiused	Precision	
W0160-FP-019-0030-S400	16 <i>0.630</i>	19 <i>0.748</i>	0.3 <i>0.012</i>					Heat Treated 400 Grade Stainless Steel, Edges Radiused	Precision	

# Indicates item not stocked at time of printing - Please enquire for lead time

E&OE Pricing and all details subject to change without notice - Copyright Miniature Bearings Australia Pty Ltd

MBA Size Listings are a guide to sizes only and must not be solely relied on for critical design information.



## Washers - Flat - Stainless Steel - Precision Shim

Part Number	Nom. ID (d) mm	OD (D) mm	Thickness (T) mm	Other	Other	Other	Other	Material	Grade	Other
	<i>inches</i>	<i>inches</i>	<i>inches</i>							
W0160-FP-019-0035-S400	16	19	0.35					Heat Treated 400 Grade Stainless Steel, Edges Radiused	Precision	
	<i>0.630</i>	<i>0.748</i>	<i>0.014</i>							

# Indicates item not stocked at time of printing - Please enquire for lead time

E&OE Pricing and all details subject to change without notice - Copyright Miniature Bearings Australia Pty Ltd

MBA Size Listings are a guide to sizes only and must not be solely relied on for critical design information.

DISTRIBUTED BY

Distributed By:

