



Washers - Flat - Stainless Steel 316 - Commercial

10/4/2018

Indicates item not stocked at time of printing - Please enquire for lead time

E&OE Pricing and all details subject to change without notice - Copyright Miniature Bearings Australia Pty Ltd

MBA Size Listings are a guide to sizes only and must not be solely relied on for critical design information.

INFORMATION

Flat washers.

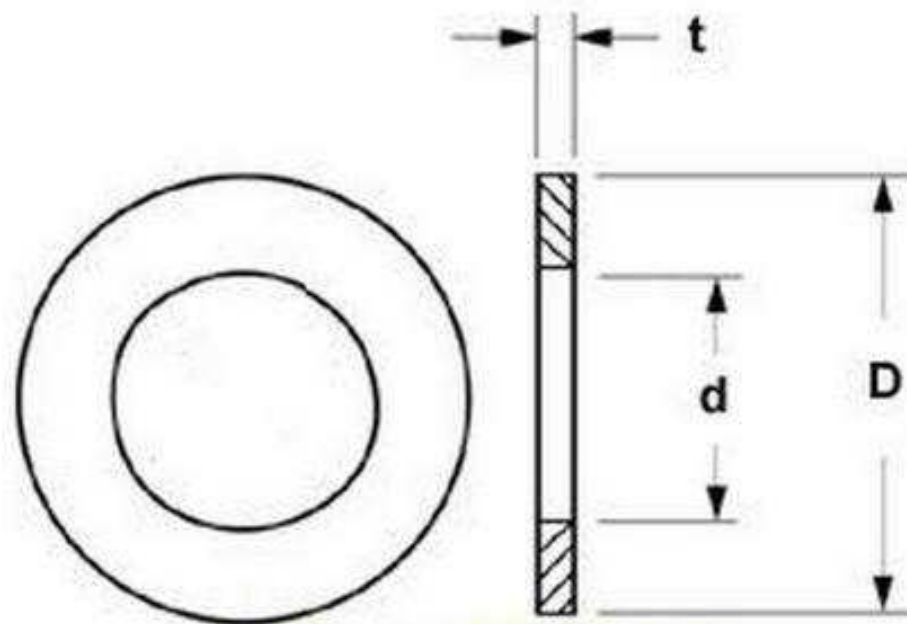
Dimensions are nominal.

Please note! Tolerances for commercial grade washers are much larger than for precision washers.

Indicates item not stocked at time of printing - Please enquire for lead time

E&OE Pricing and all details subject to change without notice - Copyright Miniature Bearings Australia Pty Ltd

MBA Size Listings are a guide to sizes only and must not be solely relied on for critical design information.



Shims and Washers

Indicates item not stocked at time of printing - Please enquire for lead time

E&OE Pricing and all details subject to change without notice - Copyright Miniature Bearings Australia Pty Ltd

MBA Size Listings are a guide to sizes only and must not be solely relied on for critical design information.

Washers - Flat - Stainless Steel 316 - Commercial

Part Number	Nom. ID (d) mm <i>inches</i>	Nom. OD (D) mm <i>inches</i>	Thickness (T) mm <i>inches</i>	Other	Spec	Material
# W0019-F-004-003-S6	1.85 <i>0.073</i>	3.8 <i>0.150</i>	0.3 <i>0.012</i>	To Suit M1.6 Screw		316 Stainless
W0020-F-005-003-S6	2 <i>0.079</i>	5 <i>0.197</i>	0.3 <i>0.012</i>	To Suit M2 Screw		316 Stainless
W0025-F-006-005-S6	2.5 <i>0.098</i>	6 <i>0.236</i>	0.5 <i>0.020</i>	To Suit M2.5 Screw		316 Stainless
# W0028-F-010-009-S6	2.84 <i>0.112</i>	9.525 <i>0.375</i>	0.91 <i>0.036</i>	To Suit 4 UN Screw		316 Stainless
W0030-F-007-005-S6	3 <i>0.118</i>	7 <i>0.276</i>	0.5 <i>0.020</i>	To Suit M3 Screw		316 Stainless
# W0032-F-008-007-S6	3.2 <i>0.126</i>	7.938 <i>0.313</i>	0.71 <i>0.028</i>	To Suit 1/8 Screw		316 Stainless
W0035-F-008-005-S6	3.5 <i>0.138</i>	8 <i>0.315</i>	0.5 <i>0.020</i>	To Suit M3.5 or 6UN Screw		316 Stainless
W0040-F-009-008-S6	4 <i>0.157</i>	9 <i>0.354</i>	0.8 <i>0.031</i>	To Suit M4, 5/32 or 8UN Screw		316 Stainless
# W0040-F-010-009-S6	4 <i>0.157</i>	9.525 <i>0.375</i>	0.91 <i>0.036</i>	To Suit M4, 5/32 or 8UN Screw		316 Stainless

Indicates item not stocked at time of printing - Please enquire for lead time

E&OE Pricing and all details subject to change without notice - Copyright Miniature Bearings Australia Pty Ltd

MBA Size Listings are a guide to sizes only and must not be solely relied on for critical design information.

Washers - Flat - Stainless Steel 316 - Commercial

Part Number	Nom. ID (d) mm <i>inches</i>	Nom. OD (D) mm <i>inches</i>	Thickness (T) mm <i>inches</i>	Other	Spec	Material
# W0040-F-011-009-S6	4 <i>0.157</i>	11.11 <i>0.437</i>	0.91 <i>0.036</i>	To Suit M4, 5/32 or 8UN Screw		316 Stainless
# W0048-F-011-009-S6	4.762 <i>0.187</i>	11.11 <i>0.437</i>	0.91 <i>0.036</i>	To Suit 3/16 or 10UN Screw		316 Stainless
# W0048-F-013-008-S6	4.762 <i>0.187</i>	12.7 <i>0.500</i>	0.81 <i>0.032</i>	To Suit 3/16 or 10UN Screw		316 Stainless
# W0048-F-013-009-S6	4.762 <i>0.187</i>	12.7 <i>0.500</i>	0.91 <i>0.036</i>	To Suit 3/16 or 10UN Screw		316 Stainless
# W0048-F-019-012-S6	4.762 <i>0.187</i>	19.05 <i>0.750</i>	1.22 <i>0.048</i>	To Suit 3/16 or 10UN Screw		316 Stainless
# W0048-F-022-012-S6	4.762 <i>0.187</i>	22.22 <i>0.875</i>	1.22 <i>0.048</i>	To Suit 3/16 or 10UN Screw		316 Stainless
# W0048-F-025-016-S6	4.762 <i>0.187</i>	25.4 <i>1.000</i>	1.63 <i>0.064</i>	To Suit 3/16 or 10UN Screw		316 Stainless
# W0048-F-032-016-S6	4.762 <i>0.187</i>	31.8 <i>1.252</i>	1.63 <i>0.064</i>	To Suit 3/16 or 10UN Screw		316 Stainless

Indicates item not stocked at time of printing - Please enquire for lead time

Page 5 of 9

E&OE Pricing and all details subject to change without notice - Copyright Miniature Bearings Australia Pty Ltd
MBA Size Listings are a guide to sizes only and must not be solely relied on for critical design information.

Washers - Flat - Stainless Steel 316 - Commercial

Part Number	Nom. ID (d) mm <i>inches</i>	Nom. OD (D) mm <i>inches</i>	Thickness (T) mm <i>inches</i>	Other	Spec	Material
# W0050-F-010-008-S6	5 <i>0.197</i>	10 <i>0.394</i>	0.8 <i>0.031</i>	To Suit M5 Screw		316 Stainless
# W0060-F-012-016-S6	6 <i>0.236</i>	12 <i>0.472</i>	1.6 <i>0.063</i>	To Suit M6 Screw		316 Stainless
W0064-F-013-009-S6	6.35 <i>0.250</i>	12.7 <i>0.500</i>	0.91 <i>0.036</i>	To Suit 1/4 Screw		316 Stainless
W0064-F-016-012-S6	6.35 <i>0.250</i>	15.875 <i>0.625</i>	1.22 <i>0.048</i>	To Suit 1/4 Screw		316 Stainless
W0064-F-019-012-S6	6.35 <i>0.250</i>	19.05 <i>0.750</i>	1.22 <i>0.048</i>	To Suit 1/4 Screw		316 Stainless
W0079-F-016-010-S6	7.938 <i>0.313</i>	15.75 <i>0.620</i>	1.02 <i>0.040</i>	To Suit 5/16 Screw		316 Stainless
W0079-F-025-016-S6	7.938 <i>0.313</i>	25.4 <i>1.000</i>	1.63 <i>0.064</i>	To Suit 5/16 Screw		316 Stainless
# W0080-F-016-016-S6	8 <i>0.315</i>	16 <i>0.630</i>	1.6 <i>0.063</i>	To Suit M8 Screw		316 Stainless
W0096-F-019-010-S6	9.525 <i>0.375</i>	19.05 <i>0.750</i>	1.02 <i>0.040</i>	To Suit 3/8 Bolt		316 Stainless
# W0095-F-051-030-S6	9.525 <i>0.375</i>	50.8 <i>2.000</i>	3 <i>0.118</i>	To Suit 3/8 Bolt		316 Stainless

Indicates item not stocked at time of printing - Please enquire for lead time

E&OE Pricing and all details subject to change without notice - Copyright Miniature Bearings Australia Pty Ltd

MBA Size Listings are a guide to sizes only and must not be solely relied on for critical design information.

Washers - Flat - Stainless Steel 316 - Commercial

Part Number	Nom. ID (d) mm <i>inches</i>	Nom. OD (D) mm <i>inches</i>	Thickness (T) mm <i>inches</i>	Other	Spec	Material
# W0100-F-021-012-S6	10 <i>0.394</i>	21 <i>0.827</i>	1.2 <i>0.047</i>	To Suit M10 Screw		316 Stainless
# W0111-F-029-016-S6	11.113 <i>0.438</i>	28.575 <i>1.125</i>	1.57 <i>0.062</i>	To Suit 7/16 Screw		316 Stainless
# W0120-F-024-015-S6	12 <i>0.472</i>	24 <i>0.945</i>	1.5 <i>0.059</i>	To Suit M12 Bolt		316 Stainless
W0127-F-025-013-S6	12.7 <i>0.500</i>	25.4 <i>1.000</i>	1.29 <i>0.051</i>	To Suit 1/2 Bolt		316 Stainless
# W0127-F-051-017-S6	12.7 <i>0.500</i>	50.8 <i>2.000</i>	1.71 <i>0.067</i>	To Suit 1/2 Bolt		316 Stainless
W0127-F-051-019-S6	12.7 <i>0.500</i>	50.8 <i>2.000</i>	1.98 <i>0.078</i>	To Suit 1/2 Bolt		316 Stainless
# W0143-F-032-020-S6	14.29 <i>0.563</i>	31.75 <i>1.250</i>	1.98 <i>0.078</i>	To Suit 9/16 Bolt		316 Stainless
# W0159-F-032-016-S6	15.875 <i>0.625</i>	31.75 <i>1.250</i>	1.57 <i>0.062</i>	To Suit 5/8 Bolt		316 Stainless
W0191-F-038-020-S6	19.05 <i>0.750</i>	38.1 <i>1.500</i>	1.98 <i>0.078</i>	To Suit 3/4 Bolt		316 Stainless
# W0222-F-041-017-S6	22.225 <i>0.875</i>	41.28 <i>1.625</i>	1.71 <i>0.067</i>	To Suit 7/8 Bolt		316 Stainless

Indicates item not stocked at time of printing - Please enquire for lead time

E&OE Pricing and all details subject to change without notice - Copyright Miniature Bearings Australia Pty Ltd
MBA Size Listings are a guide to sizes only and must not be solely relied on for critical design information.

Washers - Flat - Stainless Steel 316 - Commercial

Part Number	Nom. ID (d) mm <i>inches</i>	Nom. OD (D) mm <i>inches</i>	Thickness (T) mm <i>inches</i>	Other	Spec	Material
# W0222-F-051-021-S6	22.225 <i>0.875</i>	50.8 <i>2.000</i>	2.05 <i>0.081</i>	To Suit 7/8 Bolt		316 Stainless
# W0240-F-044-030-S6	24 <i>0.945</i>	44 <i>1.732</i>	3 <i>0.118</i>	To Suit M24 Bolt		316 Stainless
# W0254-F-048-021-S6	25.4 <i>1.000</i>	47.63 <i>1.875</i>	2.05 <i>0.081</i>	To Suit 1 Inch Bolt		316 Stainless
# W0254-F-051-026-S6	25.4 <i>1.000</i>	50.8 <i>2.000</i>	2.64 <i>0.104</i>	To Suit 1 Inch Bolt		316 Stainless
# W0254-F-064-026-S6	25.4 <i>1.000</i>	63.5 <i>2.500</i>	2.64 <i>0.104</i>	To Suit 1 Inch Bolt		316 Stainless
# W0270-F-050-030-S6	27 <i>1.063</i>	50 <i>1.969</i>	3 <i>0.118</i>	To Suit M27 Bolt		316 Stainless
# W0285-F-064-026-S6	28.525 <i>1.123</i>	63.5 <i>2.500</i>	2.64 <i>0.104</i>	To Suit 1.1/8 Bolt		316 Stainless
# W0300-F-056-030-S6	30 <i>1.181</i>	56 <i>2.205</i>	3 <i>0.118</i>	To Suit M30 Bolt		316 Stainless
# W0318-F-070-026-S6	31.8 <i>1.252</i>	69.85 <i>2.750</i>	2.64 <i>0.104</i>	To Suit 1.1/4 Bolt		316 Stainless
# W0330-F-060-030-S6	33 <i>1.299</i>	60 <i>2.362</i>	3 <i>0.118</i>	To Suit M33 Bolt		316 Stainless

Indicates item not stocked at time of printing - Please enquire for lead time

E&OE Pricing and all details subject to change without notice - Copyright Miniature Bearings Australia Pty Ltd

MBA Size Listings are a guide to sizes only and must not be solely relied on for critical design information.

Washers - Flat - Stainless Steel 316 - Commercial

Part Number	Nom. ID (d) mm <i>inches</i>	Nom. OD (D) mm <i>inches</i>	Thickness (T) mm <i>inches</i>	Other	Spec	Material
W0360-F-066-050-S6	36 <i>1.417</i>	66 <i>2.598</i>	5 <i>0.197</i>	To Suit M36 Bolt		316 Stainless
# W0390-F-072-060-S6	39 <i>1.535</i>	72 <i>2.835</i>	6 <i>0.236</i>	To Suit M39 Bolt		316 Stainless
# W0480-F-092-050-S6	48 <i>1.890</i>	92 <i>3.622</i>	5 <i>0.197</i>	To Suit M48 Bolt		316 Stainless

Indicates item not stocked at time of printing - Please enquire for lead time

E&OE Pricing and all details subject to change without notice - Copyright Miniature Bearings Australia Pty Ltd

MBA Size Listings are a guide to sizes only and must not be solely relied on for critical design information.

DISTRIBUTED BY

Distributed By:

