



# Washers - Self Aligning - Sets - Hardened Steel

10/4/2018

# Indicates item not stocked at time of printing - Please enquire for lead time

E&OE Pricing and all details subject to change without notice - Copyright Miniature Bearings Australia Pty Ltd

MBA Size Listings are a guide to sizes only and must not be solely relied on for critical design information.

## INFORMATION

### Spherical Seat Washers

Hardened steel 9 S Mn Pb 28 K DIN 6319.

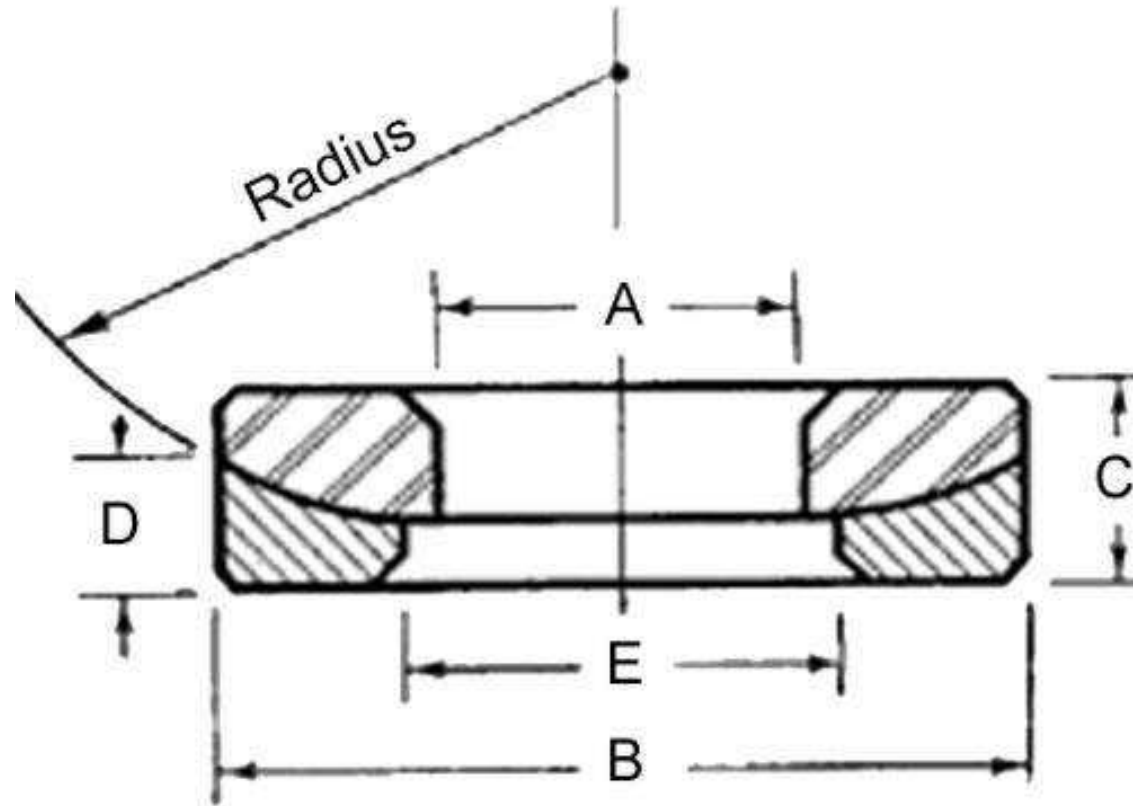
Max Shaft Size Shown will allow 3<sup>o</sup> of misalignment.

DIN 6319-NI washers are used for clamping mechanical parts with non-parallel surfaces.

# Indicates item not stocked at time of printing - Please enquire for lead time

E&OE Pricing and all details subject to change without notice - Copyright Miniature Bearings Australia Pty Ltd

MBA Size Listings are a guide to sizes only and must not be solely relied on for critical design information.



# Indicates item not stocked at time of printing - Please enquire for lead time

E&OE Pricing and all details subject to change without notice - Copyright Miniature Bearings Australia Pty Ltd

MBA Size Listings are a guide to sizes only and must not be solely relied on for critical design information.

## Washers - Self Aligning - Sets - Hardened Steel

Part Number	Suits Shaft or Bolt Size mm <i>inches</i>	Bore Size (A) mm <i>inches</i>	OD (B) mm <i>inches</i>	Overall Height (C) mm <i>inches</i>	Base ID (E) mm <i>inches</i>
# W0064-ALN-C-SET	6.35 <i>0.250</i>	7.137 <i>0.281</i>	15.88 <i>0.625</i>	4.750 <i>0.187</i>	
W0079-ALN-C-SET	7.94 <i>0.313</i>	8.712 <i>0.343</i>	19.05 <i>0.750</i>	6.350 <i>0.250</i>	
W0095-ALN-C-SET	9.53 <i>0.375</i>	10.319 <i>0.406</i>	22.23 <i>0.875</i>	6.350 <i>0.250</i>	
# W0127-ALN-C-SET	12.70 <i>0.500</i>	13.494 <i>0.531</i>	28.58 <i>1.125</i>	7.925 <i>0.312</i>	
W0159-ALN-C-SET	15.88 <i>0.625</i>	16.662 <i>0.656</i>	34.93 <i>1.375</i>	7.925 <i>0.312</i>	
W0191-ALN-C-SET	19.05 <i>0.750</i>	19.844 <i>0.781</i>	41.28 <i>1.625</i>	9.525 <i>0.375</i>	
W0222-ALN-C-SET	22.23 <i>0.875</i>	23.813 <i>0.938</i>	44.45 <i>1.750</i>	9.525 <i>0.375</i>	
W0254-ALN-C-SET	25.40 <i>1.000</i>	26.975 <i>1.062</i>	50.80 <i>2.000</i>	12.700 <i>0.500</i>	
# W0286-ALN-C-SET	28.58 <i>1.125</i>	30.15 <i>1.187</i>	57.15 <i>2.250</i>	12.700 <i>0.500</i>	
W0318-ALN-C-SET	31.75 <i>1.250</i>	33.325 <i>1.312</i>	66.68 <i>2.625</i>	12.700 <i>0.500</i>	

# Indicates item not stocked at time of printing - Please enquire for lead time

E&OE Pricing and all details subject to change without notice - Copyright Miniature Bearings Australia Pty Ltd

MBA Size Listings are a guide to sizes only and must not be solely relied on for critical design information.

## Washers - Self Aligning - Sets - Hardened Steel

Part Number	Suits Shaft or Bolt Size mm <i>inches</i>	Bore Size (A) mm <i>inches</i>	OD (B) mm <i>inches</i>	Overall Height (C) mm <i>inches</i>	Base ID (E) mm <i>inches</i>
# W0381-ALN-C-SET	38.10 <i>1.500</i>	39.675 <i>1.562</i>	73.03 <i>2.875</i>	14.275 <i>0.562</i>	
# W0413-ALN-C-SET	41.28 <i>1.625</i>	42.863 <i>1.688</i>	82.55 <i>3.250</i>	17.460 <i>0.687</i>	
# W0445-ALN-C-SET	44.45 <i>1.750</i>	46.038 <i>1.813</i>	82.55 <i>3.250</i>	17.460 <i>0.687</i>	
# W0508-ALN-C-SET	50.80 <i>2.000</i>	52.375 <i>2.062</i>	98.43 <i>3.875</i>	19.050 <i>0.750</i>	

# Indicates item not stocked at time of printing - Please enquire for lead time

E&OE Pricing and all details subject to change without notice - Copyright Miniature Bearings Australia Pty Ltd

MBA Size Listings are a guide to sizes only and must not be solely relied on for critical design information.

DISTRIBUTED BY

Distributed By:

