



Washers - Self Aligning - Sets - Stainless Steel

10/4/2018

Indicates item not stocked at time of printing - Please enquire for lead time

E&OE Pricing and all details subject to change without notice - Copyright Miniature Bearings Australia Pty Ltd

MBA Size Listings are a guide to sizes only and must not be solely relied on for critical design information.

Page 1 of 4

INFORMATION

Spherical Seat Washers

AISI 303 Stainless Steel

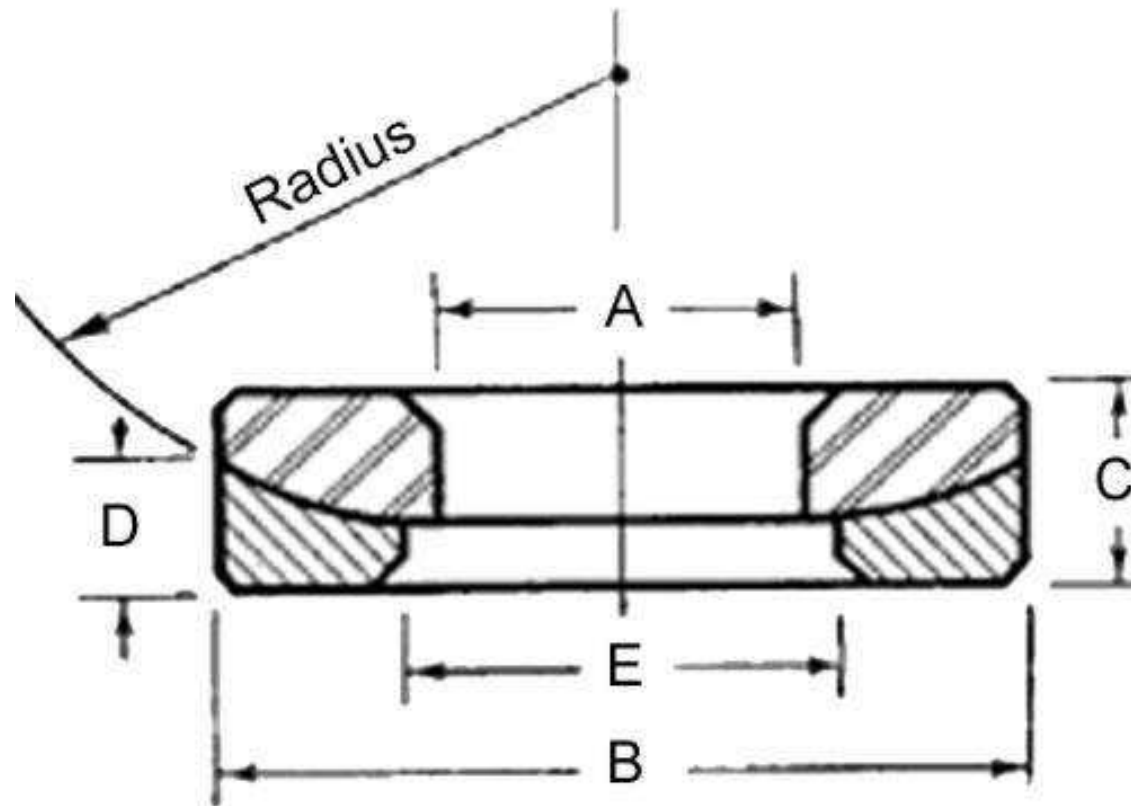
Max Shaft Size Shown will allow 3^o of misalignment.

DIN 6319-NI washers are used for clamping mechanical parts with non-parallel surfaces.

Indicates item not stocked at time of printing - Please enquire for lead time

E&OE Pricing and all details subject to change without notice - Copyright Miniature Bearings Australia Pty Ltd

MBA Size Listings are a guide to sizes only and must not be solely relied on for critical design information.



Indicates item not stocked at time of printing - Please enquire for lead time

E&OE Pricing and all details subject to change without notice - Copyright Miniature Bearings Australia Pty Ltd

MBA Size Listings are a guide to sizes only and must not be solely relied on for critical design information.

Washers - Self Aligning - Sets - Stainless Steel

Part Number	Suits Shaft or Bolt Size mm <i>inches</i>	Bore Size (A) mm <i>inches</i>	OD (B) mm <i>inches</i>	Overall Height (C) mm <i>inches</i>
# W0064-ALN-SS-SET	6.35 <i>0.250</i>	7.137 <i>0.281</i>	15.88 <i>0.625</i>	4.750 <i>0.187</i>
# W0079-ALN-SS-SET	7.94 <i>0.313</i>	8.712 <i>0.343</i>	19.05 <i>0.750</i>	6.350 <i>0.250</i>
# W0095-ALN-SS-SET	9.53 <i>0.375</i>	10.319 <i>0.406</i>	22.23 <i>0.875</i>	6.350 <i>0.250</i>
# W0127-ALN-SS-SET	12.70 <i>0.500</i>	13.494 <i>0.531</i>	28.58 <i>1.125</i>	7.925 <i>0.312</i>
# W0159-ALN-SS-SET	15.88 <i>0.625</i>	16.662 <i>0.656</i>	34.93 <i>1.375</i>	7.925 <i>0.312</i>
# W0191-ALN-SS-SET	19.05 <i>0.750</i>	19.844 <i>0.781</i>	41.28 <i>1.625</i>	9.525 <i>0.375</i>
# W0222-ALN-SS-SET	22.23 <i>0.875</i>	23.813 <i>0.938</i>	44.45 <i>1.750</i>	9.525 <i>0.375</i>
# W0254-ALN-SS-SET	25.40 <i>1.000</i>	26.975 <i>1.062</i>	50.80 <i>2.000</i>	12.700 <i>0.500</i>

Indicates item not stocked at time of printing - Please enquire for lead time

E&OE Pricing and all details subject to change without notice - Copyright Miniature Bearings Australia Pty Ltd

MBA Size Listings are a guide to sizes only and must not be solely relied on for critical design information.

DISTRIBUTED BY

Distributed By:

