

Washers - Serrated - Safety

10/4/2018

Indicates item not stocked at time of printing - Please enquire for lead time

E&OE Pricing and all details subject to change without notice - Copyright Miniature Bearings Australia Pty Ltd

MBA Size Listings are a guide to sizes only and must not be solely relied on for critical design information.

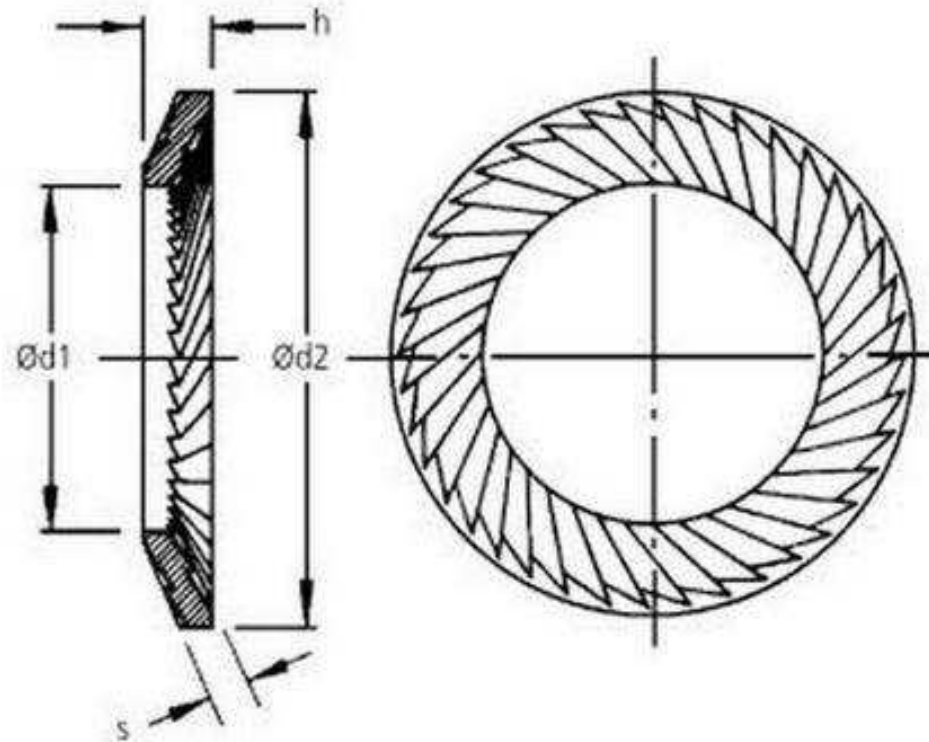
INFORMATION

Spring Steel Hardened Black.

Indicates item not stocked at time of printing - Please enquire for lead time

E&OE Pricing and all details subject to change without notice - Copyright Miniature Bearings Australia Pty Ltd

MBA Size Listings are a guide to sizes only and must not be solely relied on for critical design information.



Indicates item not stocked at time of printing - Please enquire for lead time

E&OE Pricing and all details subject to change without notice - Copyright Miniature Bearings Australia Pty Ltd

MBA Size Listings are a guide to sizes only and must not be solely relied on for critical design information.

Washers - Serrated - Safety

Part Number	Nom. ID mm <i>inches</i>	OD (d2) mm <i>inches</i>	Thickness (S) mm <i>inches</i>	Overall Width (h) mm <i>inches</i>	To Suit Thread Size
W0016-LK-003-004-S-CB	1.6 <i>0.063</i>	3.2 <i>0.126</i>	0.35 <i>0.014</i>	0.60 <i>0.024</i>	M1.6
W0020-LK-004-004-S-CB	2 <i>0.079</i>	4 <i>0.157</i>	0.35 <i>0.014</i>	0.60 <i>0.024</i>	M2
W0025-LK-005-005-S-CB	2.5 <i>0.098</i>	4.8 <i>0.189</i>	0.45 <i>0.018</i>	0.90 <i>0.035</i>	M2.5
W0030-LK-006-005-S-CB	3 <i>0.118</i>	5.5 <i>0.217</i>	0.45 <i>0.018</i>	0.90 <i>0.035</i>	M3
# W0035-LK-006-005-S-CB	3.5 <i>0.138</i>	6 <i>0.236</i>	0.45 <i>0.018</i>	0.90 <i>0.035</i>	M3.5 (1/8)
W0040-LK-007-005-S-CB	4 <i>0.157</i>	7 <i>0.276</i>	0.50 <i>0.020</i>	1.00 <i>0.039</i>	M4
# W0048-LK-009-006-S-CB	4.76 <i>0.187</i>	9 <i>0.354</i>	0.61 <i>0.024</i>	1.092 <i>0.043</i>	3/16
W0050-LK-009-006-S-CB	5 <i>0.197</i>	9 <i>0.354</i>	0.60 <i>0.024</i>	1.10 <i>0.043</i>	M5
# W0056-LK-010-007-S-CB	5.56 <i>0.219</i>	10 <i>0.394</i>	0.71 <i>0.028</i>	1.194 <i>0.047</i>	7/32
W0060-LK-010-007-S-CB	6 <i>0.236</i>	10 <i>0.394</i>	0.70 <i>0.028</i>	1.20 <i>0.047</i>	M6

Indicates item not stocked at time of printing - Please enquire for lead time

E&OE Pricing and all details subject to change without notice - Copyright Miniature Bearings Australia Pty Ltd

MBA Size Listings are a guide to sizes only and must not be solely relied on for critical design information.

Washers - Serrated - Safety

Part Number	Nom. ID mm <i>inches</i>	OD (d2) mm <i>inches</i>	Thickness (S) mm <i>inches</i>	Overall Width (h) mm <i>inches</i>	To Suit Thread Size
W0064-LK-010-007-S-CB	6.35 <i>0.250</i>	9.5 <i>0.374</i>	0.70 <i>0.028</i>	1.20 <i>0.047</i>	1/4
W0070-LK-012-007-S-CB	7 <i>0.276</i>	12 <i>0.472</i>	0.70 <i>0.028</i>	1.30 <i>0.051</i>	M7
# W0079-LK-013-008-S-CB	7.938 <i>0.313</i>	13 <i>0.512</i>	0.79 <i>0.031</i>	1.397 <i>0.055</i>	5/16
W0080-LK-013-008-S-CB	8 <i>0.315</i>	13 <i>0.512</i>	0.80 <i>0.031</i>	1.40 <i>0.055</i>	M8
# W0095-LK-016-010-S-CB	9.525 <i>0.375</i>	16.002 <i>0.630</i>	0.99 <i>0.039</i>	1.600 <i>0.063</i>	3/8
W0100-LK-016-010-S-CB	10 <i>0.394</i>	16 <i>0.630</i>	1.00 <i>0.039</i>	1.60 <i>0.063</i>	M10
# W0111-LK-016-010-S-CB	11.1 <i>0.437</i>	15.9 <i>0.626</i>	1.00 <i>0.039</i>	1.60 <i>0.063</i>	7/16
# W0111-LK-018-011-S-CB	11.1 <i>0.437</i>	18 <i>0.709</i>	1.09 <i>0.043</i>	1.702 <i>0.067</i>	7/16
# W0120-LK-018-011-S-CB	12 <i>0.472</i>	18 <i>0.709</i>	1.10 <i>0.043</i>	1.70 <i>0.067</i>	M12
# W0127-LK-019-011-S-CB	12.7 <i>0.500</i>	19 <i>0.748</i>	1.10 <i>0.043</i>	1.80 <i>0.071</i>	1/2

Indicates item not stocked at time of printing - Please enquire for lead time

E&OE Pricing and all details subject to change without notice - Copyright Miniature Bearings Australia Pty Ltd

MBA Size Listings are a guide to sizes only and must not be solely relied on for critical design information.

Washers - Serrated - Safety

Part Number	Nom. ID mm <i>inches</i>	OD (d2) mm <i>inches</i>	Thickness (S) mm <i>inches</i>	Overall Width (h) mm <i>inches</i>	To Suit Thread Size
# W0140-LK-022-012-S-CB	14 <i>0.551</i>	22 <i>0.866</i>	1.20 <i>0.047</i>	2.00 <i>0.079</i>	M14
# W0160-LK-024-013-S-CB	16 <i>0.630</i>	24 <i>0.945</i>	1.30 <i>0.051</i>	2.10 <i>0.083</i>	M16
# W0180-LK-027-015-S-CB	18 <i>0.709</i>	27 <i>1.063</i>	1.50 <i>0.059</i>	2.30 <i>0.091</i>	M18
W0190-LK-030-015-S-CB	19 <i>0.748</i>	30 <i>1.181</i>	1.50 <i>0.059</i>	2.50 <i>0.098</i>	M19
# W0200-LK-030-015-S-CB	20 <i>0.787</i>	30 <i>1.181</i>	1.50 <i>0.059</i>	2.50 <i>0.098</i>	M20
# W0220-LK-033-015-S-CB	22 <i>0.866</i>	33 <i>1.299</i>	1.50 <i>0.059</i>	2.70 <i>0.106</i>	M22
# W0240-LK-036-018-S-CB	24 <i>0.945</i>	36 <i>1.417</i>	1.80 <i>0.071</i>	2.90 <i>0.114</i>	M24
# W0254-LK-038-020-S-CB	25.4 <i>1.000</i>	38 <i>1.496</i>	2.00 <i>0.079</i>	3.10 <i>0.122</i>	1 inch
# W0270-LK-039-020-S-CB	27 <i>1.063</i>	39 <i>1.535</i>	2.00 <i>0.079</i>	3.10 <i>0.122</i>	M27
# W0300-LK-045-020-S-CB	30 <i>1.181</i>	45 <i>1.772</i>	2.00 <i>0.079</i>	3.60 <i>0.142</i>	M30

Indicates item not stocked at time of printing - Please enquire for lead time

E&OE Pricing and all details subject to change without notice - Copyright Miniature Bearings Australia Pty Ltd

MBA Size Listings are a guide to sizes only and must not be solely relied on for critical design information.

Washers - Serrated - Safety

Part Number	Nom. ID mm	OD (d2) mm	Thickness (S) mm	Overall Width (h) mm	To Suit Thread Size
	<i>inches</i>	<i>inches</i>	<i>inches</i>	<i>inches</i>	
# W0360-LK-054-025-S-CB	36 <i>1.417</i>	54 <i>2.126</i>	2.50 <i>0.098</i>	4.20 <i>0.165</i>	M36

Indicates item not stocked at time of printing - Please enquire for lead time

E&OE Pricing and all details subject to change without notice - Copyright Miniature Bearings Australia Pty Ltd

MBA Size Listings are a guide to sizes only and must not be solely relied on for critical design information.

DISTRIBUTED BY

Distributed By:

