



Worm Gears - 24DP (Series 1) - Metallic

10/4/2018

Indicates item not stocked at time of printing - Please enquire for lead time

E&OE Pricing and all details subject to change without notice - Copyright Miniature Bearings Australia Pty Ltd

MBA Size Listings are a guide to sizes only and must not be solely relied on for critical design information.

INFORMATION

Worms and Gears must be chosen from the same pitch and series to match. DP is Diametrical Pitch.

14.5^o Pressure Angle - 4.77^o Lead Angle - 1 Lead.

A single start worm and gear will provide a ratio equivalent to the number of teeth on the gear.

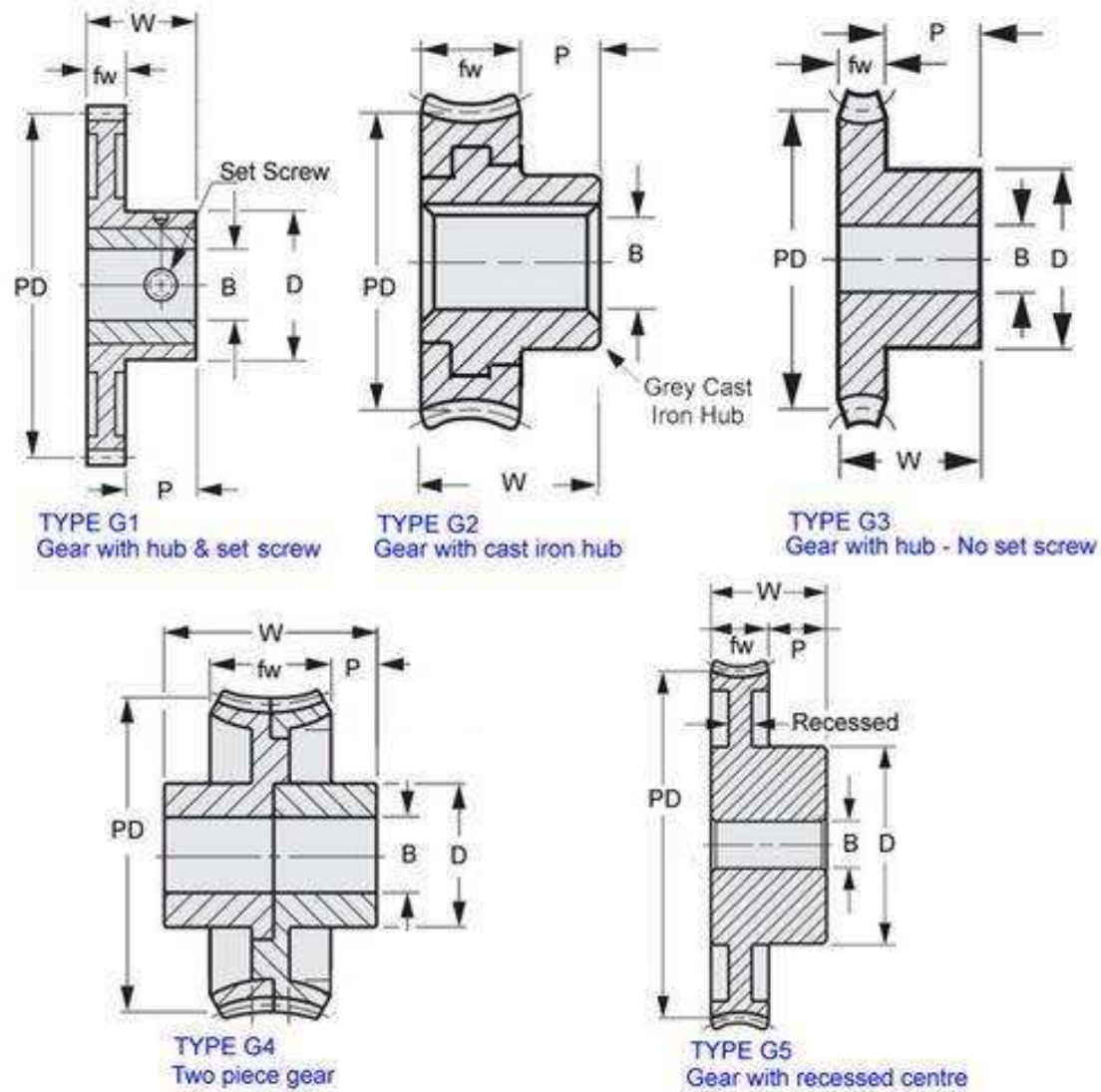
A double start worm and gear will provide a ratio of half the number of teeth on the gear.

This catalogue to be read in conjunction with information at
<http://www.minibearings.com.au//partslist/worms24pitchseries1metallic/wormsandwormgears/all/1/>

Indicates item not stocked at time of printing - Please enquire for lead time

E&OE Pricing and all details subject to change without notice - Copyright Miniature Bearings Australia Pty Ltd

MBA Size Listings are a guide to sizes only and must not be solely relied on for critical design information.



Indicates item not stocked at time of printing - Please enquire for lead time

E&OE Pricing and all details subject to change without notice - Copyright Miniature Bearings Australia Pty Ltd

MBA Size Listings are a guide to sizes only and must not be solely relied on for critical design information.

Worm Gears - 24DP (Series 1) - Metallic

| Part Number | Description | Teeth / PCD (No. / mm) | Direction | Starts / Type | Bore (B) mm | Overall Width or Length (w) mm | Face Width (fw) mm | Hub Diameter (D) / Lock Method mm | Lock Method mm | Quality |
|-----------------------------|---------------|---------------------------|------------|---------------------|---------------|--------------------------------------|-----------------------|---|-------------------|------------|
| | | | | | <i>inches</i> | <i>inches</i> | <i>inches</i> | <i>inches</i> | <i>inches</i> | |
| # WG1R24-1-018-06HP0476-BRZ | Gear with Hub | 18 / 19.05 | Right Hand | Single / Type G3 | 4.763 | 14.288 | 6.350 | 12.70 | No Set Screw | Commercial |
| | | | | | <i>0.188</i> | <i>0.563</i> | <i>0.250</i> | <i>0.500</i> | | |
| WG1R24-1-020-06HP0476-BRZ | Gear with Hub | 20 / 21.16 | Right Hand | Single / Type G3 | 4.763 | 14.288 | 6.350 | 15.87 | No Set Screw | Commercial |
| | | | | | <i>0.188</i> | <i>0.563</i> | <i>0.250</i> | <i>0.625</i> | | |
| # WG1R24-1-024-06HP0476-BRZ | Gear with Hub | 24 / 25.40 | Right Hand | Single / Type G3 | 4.763 | 14.288 | 6.350 | 15.87 | No Set Screw | Commercial |
| | | | | | <i>0.188</i> | <i>0.563</i> | <i>0.250</i> | <i>0.625</i> | | |
| # WG1R24-1-030-06HP0476-BRZ | Gear with Hub | 30 / 31.75 | Right Hand | Single / Type G3 | 4.763 | 14.288 | 6.350 | 15.87 | No Set Screw | Commercial |
| | | | | | <i>0.188</i> | <i>0.563</i> | <i>0.250</i> | <i>0.625</i> | | |
| # WG1R24-1-036-06HP0476-BRZ | Gear with Hub | 36 / 38.10 | Right Hand | Single / Type G3 | 4.763 | 14.288 | 6.350 | 15.87 | No Set Screw | Commercial |
| | | | | | <i>0.188</i> | <i>0.563</i> | <i>0.250</i> | <i>0.625</i> | | |
| # WG1R24-1-040-06HP0635-BRZ | Gear with Hub | 40 / 42.34 | Right Hand | Single / Type G3 | 6.350 | 14.288 | 6.350 | 12.70 | No Set Screw | Commercial |
| | | | | | <i>0.250</i> | <i>0.563</i> | <i>0.250</i> | <i>0.500</i> | | |
| # WG1R24-1-048-06HP0794-BRZ | Gear with Hub | 48 / 50.80 | Right Hand | Single / Type G3 | 7.938 | 14.288 | 6.350 | 19.05 | No Set Screw | Commercial |
| | | | | | <i>0.313</i> | <i>0.563</i> | <i>0.250</i> | <i>0.750</i> | | |
| WG1R24-1-050-06HP0794-BRZ | Gear with Hub | 50 / 52.91 | Right Hand | Single / Type G3 | 7.938 | 14.288 | 6.350 | 19.05 | No Set Screw | Commercial |
| | | | | | <i>0.313</i> | <i>0.563</i> | <i>0.250</i> | <i>0.750</i> | | |

Indicates item not stocked at time of printing - Please enquire for lead time

Page 4 of 5

E&OE Pricing and all details subject to change without notice - Copyright Miniature Bearings Australia Pty Ltd
MBA Size Listings are a guide to sizes only and must not be solely relied on for critical design information.

Worm Gears - 24DP (Series 1) - Metallic

| Part Number | Description | Teeth / PCD (No. / mm) | Direction | Starts / Type | Bore (B) mm | Overall Width or Length (w) mm | Face Width (fw) mm | Hub Diameter (D) / Lock Method mm | Lock Method mm | Quality |
|-----------------------------|---------------|---------------------------|------------|---------------------|---------------|--------------------------------------|-----------------------|---|-------------------|------------|
| | | | | | <i>inches</i> | <i>inches</i> | <i>inches</i> | <i>inches</i> | <i>inches</i> | |
| # WG1R24-1-060-06HP0794-BRZ | Gear with Hub | 60 / 63.50 | Right Hand | Single / Type G3 | 7.938 | 14.288 | 6.350 | 19.05 | No Set Screw | Commercial |
| | | | | | <i>0.313</i> | <i>0.563</i> | <i>0.250</i> | <i>0.750</i> | | |
| # WG1R24-1-072-06HP0794-BRZ | Gear with Hub | 72 / 76.20 | Right Hand | Single / Type G3 | 7.938 | 14.288 | 6.350 | 19.05 | No Set Screw | Commercial |
| | | | | | <i>0.313</i> | <i>0.563</i> | <i>0.250</i> | <i>0.750</i> | | |
| WG1R24-1-080-06HP0794-BRZ | Gear with Hub | 80 / 84.66 | Right Hand | Single / Type G3 | 7.938 | 15.875 | 6.350 | 22.22 | No Set Screw | Commercial |
| | | | | | <i>0.313</i> | <i>0.625</i> | <i>0.250</i> | <i>0.875</i> | | |
| # WG1R24-1-096-06HP0794-BRZ | Gear with Hub | 96 / 101.60 | Right Hand | Single / Type G3 | 7.938 | 15.875 | 6.350 | 22.22 | No Set Screw | Commercial |
| | | | | | <i>0.313</i> | <i>0.625</i> | <i>0.250</i> | <i>0.875</i> | | |
| # WG1R24-1-096-06HP0953-BRZ | Gear with Hub | 96 / 101.60 | Right Hand | Single / Type G3 | 9.525 | 15.875 | 6.350 | 22.22 | No Set Screw | Commercial |
| | | | | | <i>0.375</i> | <i>0.625</i> | <i>0.250</i> | <i>0.875</i> | | |
| # WG1R24-1-100-06HP0953-BRZ | Gear with Hub | 100 / 105.84 | Right Hand | Single / Type G3 | 9.525 | 15.875 | 6.350 | 22.22 | No Set Screw | Commercial |
| | | | | | <i>0.375</i> | <i>0.625</i> | <i>0.250</i> | <i>0.875</i> | | |

Indicates item not stocked at time of printing - Please enquire for lead time

Page 5 of 5

E&OE Pricing and all details subject to change without notice - Copyright Miniature Bearings Australia Pty Ltd
MBA Size Listings are a guide to sizes only and must not be solely relied on for critical design information.

DISTRIBUTED BY

Distributed By:

