



Worm Gears - 32DP (Series 1) - Metallic

10/4/2018

Indicates item not stocked at time of printing - Please enquire for lead time

E&OE Pricing and all details subject to change without notice - Copyright Miniature Bearings Australia Pty Ltd

MBA Size Listings are a guide to sizes only and must not be solely relied on for critical design information.

INFORMATION

Worms and Gears must be chosen from the same pitch and series to match. DP is Diametrical Pitch.

14.5^o Pressure Angle - 4.08^o Lead Angle - 1 Lead.

A single start worm and gear will provide a ratio equivalent to the number of teeth on the gear.

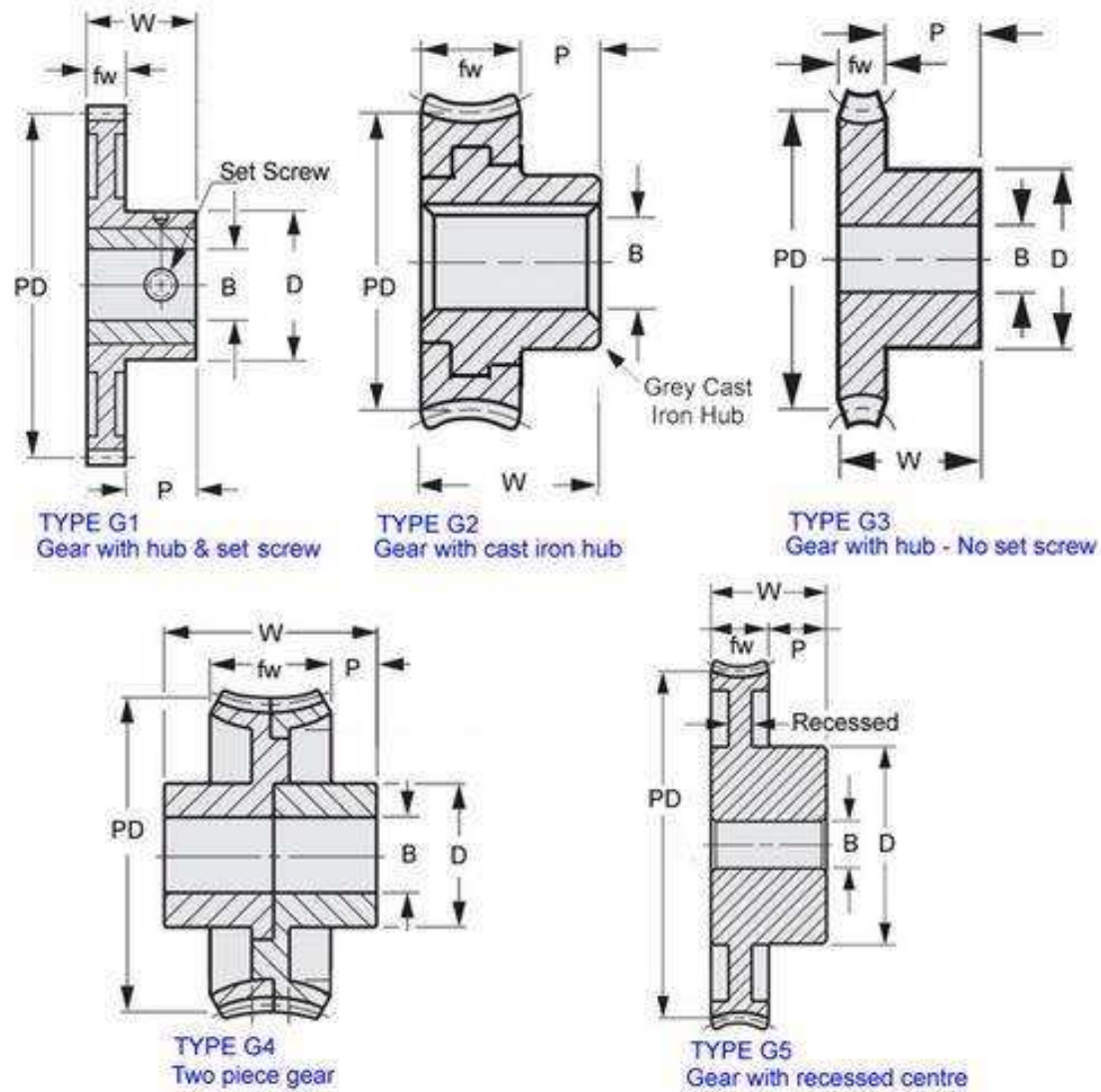
A double start worm and gear will provide a ratio of half the number of teeth on the gear.

This catalogue to be read in conjunction with information at
<http://www.minibearings.com.au//partslist/worms32pitchseries1metallic/wormsandwormgears/all/1/>

Indicates item not stocked at time of printing - Please enquire for lead time

E&OE Pricing and all details subject to change without notice - Copyright Miniature Bearings Australia Pty Ltd

MBA Size Listings are a guide to sizes only and must not be solely relied on for critical design information.



Indicates item not stocked at time of printing - Please enquire for lead time

E&OE Pricing and all details subject to change without notice - Copyright Miniature Bearings Australia Pty Ltd

MBA Size Listings are a guide to sizes only and must not be solely relied on for critical design information.

Worm Gears - 32DP (Series 1) - Metallic

Part Number	Description	Teeth / PCD (No. / mm)	Direction	Starts / Type	Bore (B) mm	Overall Width or Length (w) mm	Face Width (fw) mm	Hub Diameter (D) / Lock Method mm	Lock Method mm	Quality
					<i>inches</i>	<i>inches</i>	<i>inches</i>	<i>inches</i>	<i>inches</i>	
# WG1R32-1-020-06HP0476-BRZ	Gear with Hub	20 / 15.88	Right Hand	Single / Type G3	4.763	11.906	5.558	12.70	No Set Screw	Commercial
					<i>0.188</i>	<i>0.469</i>	<i>0.219</i>	<i>0.500</i>		
# WG1R32-1-020-05HP0476-BRZ	Gear with Hub	20 / 15.88	Right Hand	Single / Type G3	4.763	11.113	4.762	12.70	No Set Screw	Commercial
					<i>0.188</i>	<i>0.438</i>	<i>0.187</i>	<i>0.500</i>		
# WG1R32-1-024-05HP0476-BRZ	Gear with Hub	24 / 19.05	Right Hand	Single / Type G3	4.763	11.113	4.762	12.70	No Set Screw	Commercial
					<i>0.188</i>	<i>0.438</i>	<i>0.187</i>	<i>0.500</i>		
# WG1R32-1-030-06HP0476-BRZ	Gear with Hub	30 / 23.83	Right Hand	Single / Type G3	4.763	11.906	5.558	15.87	No Set Screw	Commercial
					<i>0.188</i>	<i>0.469</i>	<i>0.219</i>	<i>0.625</i>		
# WG1R32-1-030-05HP0476-BRZ	Gear with Hub	30 / 23.83	Right Hand	Single / Type G3	4.763	11.113	4.762	15.87	No Set Screw	Commercial
					<i>0.188</i>	<i>0.438</i>	<i>0.187</i>	<i>0.625</i>		
# WG1R32-1-036-05HP0476-BRZ	Gear with Hub	36 / 28.58	Right Hand	Single / Type G3	4.763	11.113	4.762	12.70	No Set Screw	Commercial
					<i>0.188</i>	<i>0.438</i>	<i>0.187</i>	<i>0.500</i>		
# WG1R32-1-040-06HP0635-BRZ	Gear with Hub	40 / 31.75	Right Hand	Single / Type G3	6.350	11.906	5.558	15.87	No Set Screw	Commercial
					<i>0.250</i>	<i>0.469</i>	<i>0.219</i>	<i>0.625</i>		
# WG1R32-1-040-05HP0635-BRZ	Gear with Hub	40 / 31.75	Right Hand	Single / Type G3	6.350	12.700	4.762	15.87	No Set Screw	Commercial
					<i>0.250</i>	<i>0.500</i>	<i>0.187</i>	<i>0.625</i>		

Indicates item not stocked at time of printing - Please enquire for lead time

Page 4 of 6

E&OE Pricing and all details subject to change without notice - Copyright Miniature Bearings Australia Pty Ltd
MBA Size Listings are a guide to sizes only and must not be solely relied on for critical design information.

Worm Gears - 32DP (Series 1) - Metallic

Part Number	Description	Teeth / PCD (No. / mm)	Direction	Starts / Type	Bore (B) mm	Overall Width or Length (w) mm	Face Width (fw) mm	Hub Diameter (D) / Lock Method mm	Lock Method mm	Quality
					<i>inches</i>	<i>inches</i>	<i>inches</i>	<i>inches</i>	<i>inches</i>	
# WG1R32-1-050-05HP0635-BRZ	Gear with Hub	50 / 39.68	Right Hand	Single / Type G3	6.350	12.700	4.762	15.87	No Set Screw	Commercial
					<i>0.250</i>	<i>0.500</i>	<i>0.187</i>	<i>0.625</i>		
# WG1R32-1-050-06HP0635-BRZ	Gear with Hub	50 / 39.68	Right Hand	Single / Type G3	6.350	13.494	5.558	15.87	No Set Screw	Commercial
					<i>0.250</i>	<i>0.531</i>	<i>0.219</i>	<i>0.625</i>		
WG1R32-1-060-05HP0635-BRZ	Gear with Hub	60 / 47.63	Right Hand	Single / Type G3	6.350	12.700	4.762	17.46	No Set Screw	Commercial
					<i>0.250</i>	<i>0.500</i>	<i>0.187</i>	<i>0.687</i>		
# WG1R32-1-060-06HP0635-BRZ	Gear with Hub	60 / 47.63	Right Hand	Single / Type G3	6.350	13.493	5.558	17.46	No Set Screw	Commercial
					<i>0.250</i>	<i>0.531</i>	<i>0.219</i>	<i>0.687</i>		
# WG1R32-1-072-05HP0794-BRZ	Gear with Hub	72 / 57.15	Right Hand	Single / Type G3	7.938	12.700	4.762	15.87	No Set Screw	Commercial
					<i>0.313</i>	<i>0.500</i>	<i>0.187</i>	<i>0.625</i>		
# WG1R32-1-080-06HP0794-BRZ	Gear with Hub	80 / 63.50	Right Hand	Single / Type G3	7.938	13.493	5.558	17.46	No Set Screw	Commercial
					<i>0.313</i>	<i>0.531</i>	<i>0.219</i>	<i>0.687</i>		
# WG1R32-1-080-05HP0794-BRZ	Gear with Hub	80 / 63.50	Right Hand	Single / Type G3	7.938	12.700	4.762	17.46	No Set Screw	Commercial
					<i>0.313</i>	<i>0.500</i>	<i>0.187</i>	<i>0.687</i>		
# WG1R32-1-096-05HP0794-BRZ	Gear with Hub	96 / 76.20	Right Hand	Single / Type G3	7.938	12.700	4.762	17.46	No Set Screw	Commercial
					<i>0.313</i>	<i>0.500</i>	<i>0.187</i>	<i>0.687</i>		

Indicates item not stocked at time of printing - Please enquire for lead time

Page 5 of 6

E&OE Pricing and all details subject to change without notice - Copyright Miniature Bearings Australia Pty Ltd
MBA Size Listings are a guide to sizes only and must not be solely relied on for critical design information.

Worm Gears - 32DP (Series 1) - Metallic

Part Number	Description	Teeth / PCD (No. / mm)	Direction	Starts / Type	Bore (B) mm	Overall Width or Length (w) mm	Face Width (fw) mm	Hub Diameter (D) / Lock Method mm	Lock Method mm	Quality
					<i>inches</i>	<i>inches</i>	<i>inches</i>	<i>inches</i>	<i>inches</i>	
# WG1R32-1-096-06HP0794-BRZ	Gear with Hub	96 / 76.20	Right Hand	Single / Type G3	7.938	13.493	5.558	17.46	No Set Screw	Commercial
					<i>0.313</i>	<i>0.531</i>	<i>0.219</i>	<i>0.687</i>		
# WG1R32-1-100-06HP0794-BRZ	Gear with Hub	100 / 79.38	Right Hand	Single / Type G3	7.938	13.493	5.558	19.05	No Set Screw	Commercial
					<i>0.313</i>	<i>0.531</i>	<i>0.219</i>	<i>0.750</i>		
# WG1R32-1-100-05HP0794-BRZ	Gear with Hub	100 / 79.38	Right Hand	Single / Type G3	7.938	12.700	4.762	17.46	No Set Screw	Commercial
					<i>0.313</i>	<i>0.500</i>	<i>0.187</i>	<i>0.687</i>		
WG1R32-1-120-05HP0794-BRZ	Gear with Hub	120 / 95.25	Right Hand	Single / Type G3	7.938	12.700	4.762	19.05	No Set Screw	Commercial
					<i>0.313</i>	<i>0.500</i>	<i>0.187</i>	<i>0.750</i>		

Indicates item not stocked at time of printing - Please enquire for lead time

Page 6 of 6

E&OE Pricing and all details subject to change without notice - Copyright Miniature Bearings Australia Pty Ltd

MBA Size Listings are a guide to sizes only and must not be solely relied on for critical design information.

DISTRIBUTED BY

Distributed By:

