



Yoke Ends - Threaded

10/4/2018

Indicates item not stocked at time of printing - Please enquire for lead time

E&OE Pricing and all details subject to change without notice - Copyright Miniature Bearings Australia Pty Ltd

MBA Size Listings are a guide to sizes only and must not be solely relied on for critical design information.

INFORMATION

Linkage Connectors

Drop forged steel machined to SAE standards

Also see clevis joints

This catalogue to be read in conjunction with information at <http://www.minibearings.com.au//partslist/pinsclevisplain/fasteners/all/1/>

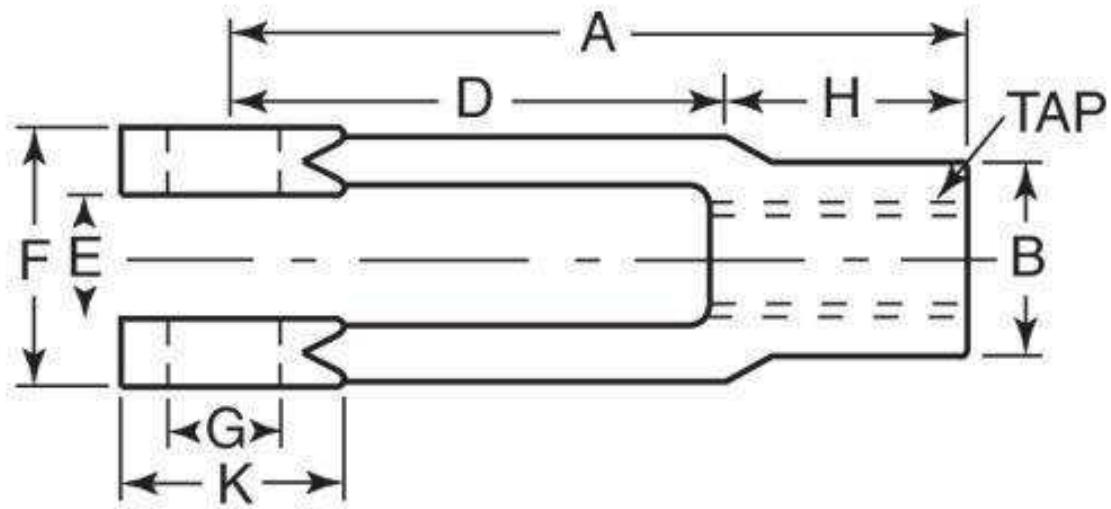
<http://www.minibearings.com.au//categories/clevis+joints/all/pics/>

<http://www.minibearings.com.au//categories/clevis+pins/all/pics/>

Indicates item not stocked at time of printing - Please enquire for lead time

E&OE Pricing and all details subject to change without notice - Copyright Miniature Bearings Australia Pty Ltd

MBA Size Listings are a guide to sizes only and must not be solely relied on for critical design information.



Indicates item not stocked at time of printing - Please enquire for lead time

E&OE Pricing and all details subject to change without notice - Copyright Miniature Bearings Australia Pty Ltd

MBA Size Listings are a guide to sizes only and must not be solely relied on for critical design information.

Yoke Ends - Threaded

Part Number	Effective Lgth (A) mm <i>inches</i>	Hub Diameter (B) mm <i>inches</i>	Gap (E) +/- 0.38 mm <i>inches</i>	Width (F) +/- 0.38 mm <i>inches</i>	Hole Size (G) +0.25 mm <i>inches</i>	Stud Height (H) (+0.79) mm <i>inches</i>	Housing Diameter (K) mm <i>inches</i>	Thread Size
YE-2RS	50.800 <i>2.000</i>	11.110 <i>0.437</i>	7.140 <i>0.281</i>	15.88 <i>0.625</i>	6.35 <i>0.250</i>	19 <i>0.748</i>	13 <i>0.512</i>	1/4-28 UNF
YE-3RS	57.150 <i>2.250</i>	12.700 <i>0.500</i>	8.730 <i>0.344</i>	19.05 <i>0.750</i>	7.94 <i>0.313</i>	21 <i>0.827</i>	15 <i>0.591</i>	5/16-24 UNF
YE-4RS	63.500 <i>2.500</i>	15.880 <i>0.625</i>	11.110 <i>0.437</i>	22.23 <i>0.875</i>	9.53 <i>0.375</i>	22 <i>0.866</i>	17 <i>0.669</i>	3/8-24 UNF
YE-5RS	73.030 <i>2.875</i>	18.260 <i>0.719</i>	12.700 <i>0.500</i>	25.40 <i>1.000</i>	11.11 <i>0.437</i>	25 <i>0.984</i>	21 <i>0.827</i>	7/16-20 UNF
YE-6RS	76.200 <i>3.000</i>	20.640 <i>0.813</i>	14.290 <i>0.563</i>	28.58 <i>1.125</i>	12.70 <i>0.500</i>	29 <i>1.142</i>	24 <i>0.945</i>	1/2-20 UNF
YE-8SPRS	101.600 <i>4.000</i>	28.580 <i>1.125</i>	17.460 <i>0.687</i>	38.10 <i>1.500</i>	15.88 <i>0.625</i>	32 <i>1.260</i>	35 <i>1.378</i>	3/4-10 UNC
YE-6BRS	106.360 <i>4.187</i>	20.640 <i>0.813</i>	14.290 <i>0.563</i>	28.58 <i>1.125</i>	12.70 <i>0.500</i>	29 <i>1.142</i>	24 <i>0.945</i>	1/2-20 UNF
YE-7RS	125.410 <i>4.937</i>	26.990 <i>1.063</i>	17.460 <i>0.687</i>	34.93 <i>1.375</i>	15.88 <i>0.625</i>	32 <i>1.260</i>	30 <i>1.181</i>	5/8-18 UNF
YE-8RS	153.99 <i>6.063</i>	31.75 <i>1.250</i>	20.64 <i>0.813</i>	41.28 <i>1.625</i>	19.05 <i>0.750</i>	38.10 <i>1.500</i>	36.51 <i>1.437</i>	3/4-16 UNF

Indicates item not stocked at time of printing - Please enquire for lead time

Page 4 of 4

E&OE Pricing and all details subject to change without notice - Copyright Miniature Bearings Australia Pty Ltd

MBA Size Listings are a guide to sizes only and must not be solely relied on for critical design information.

DISTRIBUTED BY

Distributed By:

