



# MBA

# 2022.1

## Roll Pins and Coiled Pins

Carbon Steel - Zinc Plated - Stainless Steel

### Coiled Pins



### Roll Pins

Coiled pins                      Pages 3 - 23

Roll Pins                         Pages 23-63

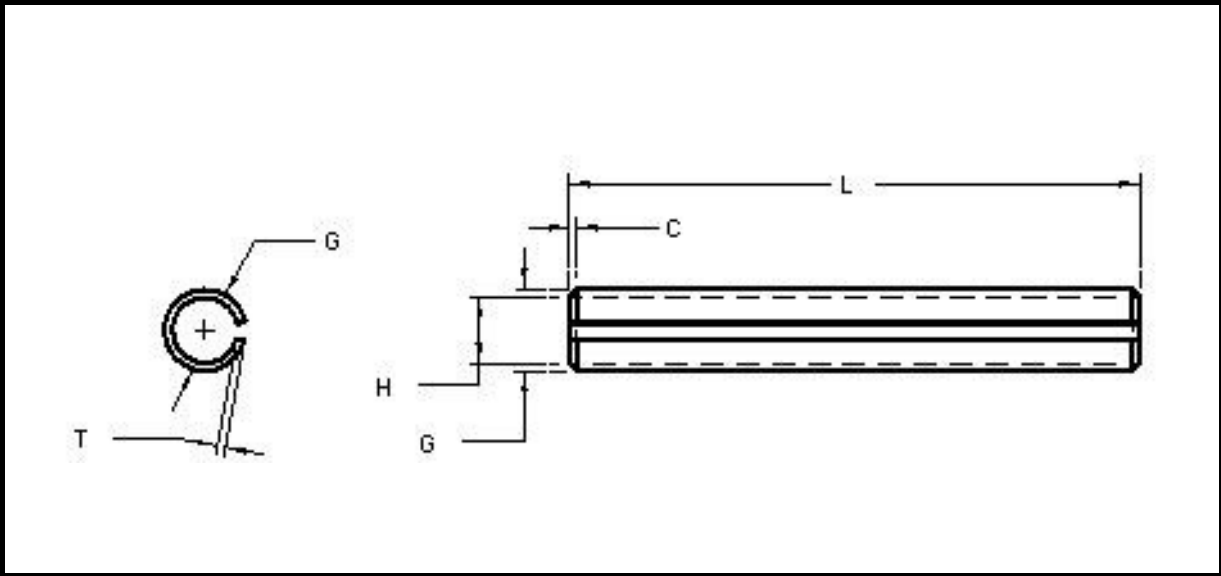
Please ensure you check the website for full information before ordering pins. This catalogue is designed as a quick reference to help you find potentially suitable parts quickly.

Coiled Pins - are a heavy duty fastener similar to a roll pin, only much stronger. These are generally intended as semi-permanent fixtures, as they are not easily removed once assembled.

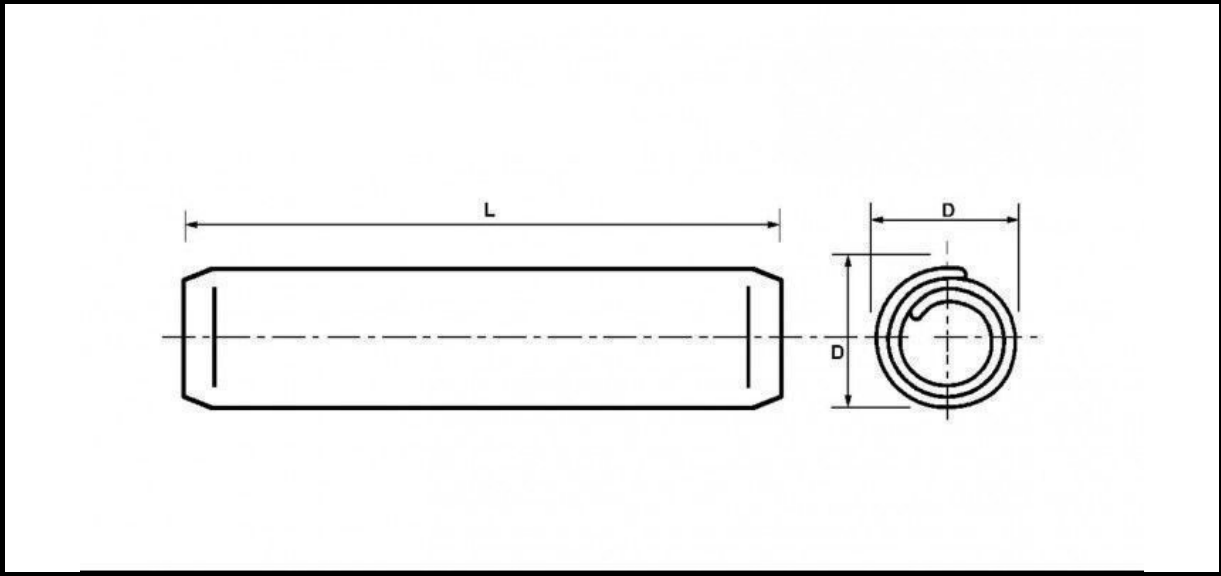
Type the part number from this catalogue into the search box on any web page for more information, pricing and availability.

# Diagrams

## Roll Pins



## Coiled Pins



# Coiled Pins

Nom. Hole Diameter mm (inches)	Length mm	Drill Size mm	Part Number	
0.79 (0.031")	3.18 +/-0.25	0.79 - 0.81	PSP-007-003-S2	Pins - Coiled - Stainless Steel - Standard Duty Material: 304 Stainless Steel
0.79 (0.031")	3.18 +/-0.25	0.79 - 0.81	* PSP-007-003-S420	Pins - Coiled - Stainless Steel - Standard Duty Material: 420 Stainless
0.79 (0.031")	4.76 +/-0.25	0.79 - 0.81	PSP-007-005-S2	Pins - Coiled - Stainless Steel - Standard Duty Material: 304 Stainless Steel
0.79 (0.031")	4.76 +/-0.25	0.79 - 0.81	* PSP-007-005-S420	Pins - Coiled - Stainless Steel - Standard Duty Material: 420 Stainless
0.79 (0.031")	6.35 +/-0.25	0.79 - 0.81	PSP-007-006-S2	Pins - Coiled - Stainless Steel - Standard Duty Material: 304 Stainless Steel
0.79 (0.031")	6.35 +/-0.25	0.79 - 0.81	** PSP-007-006-S420	Pins - Coiled - Stainless Steel - Standard Duty Material: 420 Stainless
0.79 (0.031")	7.93 +/-0.25	0.79 - 0.81	* PSP-007-008-S420	Pins - Coiled - Stainless Steel - Standard Duty Material: 420 Stainless
0.79 (0.031")	9.53 +/-0.25	0.79 - 0.81	PSP-007-010-S2	Pins - Coiled - Stainless Steel - Standard Duty Material: 304 Stainless Steel
0.79 (0.031")	9.53 +/-0.25	0.79 - 0.81	* PSP-007-010-S420	Pins - Coiled - Stainless Steel - Standard Duty Material: 420 Stainless
0.79 (0.031")	11.13 +/-0.50	0.79 - 0.81	* PSP-007-011-S420	Pins - Coiled - Stainless Steel - Standard Duty Material: 420 Stainless
0.79 (0.031")	12.70 +/-0.50	0.79 - 0.81	PSP-007-013-S2	Pins - Coiled - Stainless Steel - Standard Duty Material: 304 Stainless Steel
0.79 (0.031")	12.70 +/-0.50	0.79 - 0.81	* PSP-007-013-S420	Pins - Coiled - Stainless Steel - Standard Duty Material: 420 Stainless
0.79 (0.031")	15.88 +/-0.50	0.79 - 0.81	PSP-007-016-S2	Pins - Coiled - Stainless Steel - Standard Duty Material: 304 Stainless Steel
0.80 (0.031")	4.00 +/-0.25	0.80 - 0.84	** PSP-008-004-S2	Pins - Coiled - Stainless Steel - Standard Duty Material: 304 Stainless Steel
0.80 (0.031")	8.00 +/-0.25	0.80 - 0.84	PSP-008-008-S2	Pins - Coiled - Stainless Steel - Standard Duty Material: 304 Stainless Steel
0.80 (0.031")	12.00 +/-0.50	0.80 - 0.84	PSP-008-012-S2	Pins - Coiled - Stainless Steel - Standard Duty Material: 304 Stainless Steel
1.00 (0.039")	4.00 +/-0.25	1.00 - 1.04	PSP-010-004-S2	Pins - Coiled - Stainless Steel - Standard Duty Material: 304 Stainless Steel
1.00 (0.039")	5.00 +/-0.25	1.00 - 1.04	PSP-010-005-S2	Pins - Coiled - Stainless Steel - Standard Duty Material: 304 Stainless Steel
1.00 (0.039")	6.00 +/-0.25	1.00 - 1.04	** PSP-010-006-S2	Pins - Coiled - Stainless Steel - Standard Duty Material: 304 Stainless Steel
1.00 (0.039")	8.00 +/-0.25	1.00 - 1.04	** PSP-010-008-S2	Pins - Coiled - Stainless Steel - Standard Duty Material: 304 Stainless Steel
1.00 (0.039")	10.00 +/-0.50	1.00 - 1.04	PSP-010-010-S2	Pins - Coiled - Stainless Steel - Standard Duty Material: 304 Stainless Steel
1.00 (0.039")	12.00 +/-0.50	1.00 - 1.04	PSP-010-012-S2	Pins - Coiled - Stainless Steel - Standard Duty Material: 304 Stainless Steel
1.00 (0.039")	14.00 +/-0.50	1.00 - 1.04	PSP-010-014-S2	Pins - Coiled - Stainless Steel - Standard Duty Material: 304 Stainless Steel
1.00 (0.039")	16.00 +/-0.50	1.00 - 1.04	PSP-010-016-S2	Pins - Coiled - Stainless Steel - Standard Duty Material: 304 Stainless Steel
1.19 (0.047")	4.76 +/-0.25	1.19 - 1.22	PSP-011-005-S2	Pins - Coiled - Stainless Steel - Standard Duty Material: 304 Stainless Steel
1.19 (0.047")	6.35 +/-0.25	1.19 - 1.22	PSP-011-006-S2	Pins - Coiled - Stainless Steel - Standard Duty Material: 304 Stainless Steel
1.19 (0.047")	7.94 +/-0.25	1.19 - 1.22	* PSP-011-008-S2	Pins - Coiled - Stainless Steel - Standard Duty Material: 304 Stainless Steel
1.19 (0.047")	9.53 +/-0.25	1.19 - 1.22	PSP-011-010-S2	Pins - Coiled - Stainless Steel - Standard Duty Material: 304 Stainless Steel
1.19 (0.047")	11.11 +/-0.50	1.19 - 1.22	* PSP-011-011-S2	Pins - Coiled - Stainless Steel - Standard Duty Material: 304 Stainless Steel
1.19 (0.047")	12.70 +/-0.50	1.19 - 1.22	PSP-011-013-S2	Pins - Coiled - Stainless Steel - Standard Duty Material: 304 Stainless Steel
1.20 (0.047")	4.00 +/-0.25	1.20 - 1.24	PSP-012-004-S2	Pins - Coiled - Stainless Steel - Standard Duty Material: 304 Stainless Steel



Stocked or Short Delivery



Usually Available Short Delivery



Long delivery or not in current production

\* Large Minimum Quantities

\*\* Available only while stock lasts

# Coiled Pins

Nom. Hole Diameter mm (inches)	Length mm	Drill Size mm	Part Number	
1.20 (0.047")	8.00 +/-0.25	1.20 - 1.24	PSP-012-008-S2	Pins - Coiled - Stainless Steel - Standard Duty Material: 304 Stainless Steel
1.20 (0.047")	12.00 +/-0.50	1.20 - 1.24	PSP-012-012-S2	Pins - Coiled - Stainless Steel - Standard Duty Material: 304 Stainless Steel
1.32 (0.052")	3.18 +/-0.25	1.32 - 1.35	PSP-013-003-S2	Pins - Coiled - Stainless Steel - Standard Duty Material: 304 Stainless Steel
1.32 (0.052")	4.76 +/-0.25	1.32 - 1.35	* PSP-013-005-S2	Pins - Coiled - Stainless Steel - Standard Duty Material: 304 Stainless Steel
1.32 (0.052")	6.35 +/-0.25	1.32 - 1.35	PSP-013-006-S2	Pins - Coiled - Stainless Steel - Standard Duty Material: 304 Stainless Steel
1.32 (0.052")	7.94 +/-0.25	1.32 - 1.35	* PSP-013-008-S2	Pins - Coiled - Stainless Steel - Standard Duty Material: 304 Stainless Steel
1.32 (0.052")	9.53 +/-0.25	1.32 - 1.35	PSP-013-010-S2	Pins - Coiled - Stainless Steel - Standard Duty Material: 304 Stainless Steel
1.32 (0.052")	11.11 +/-0.50	1.32 - 1.35	* PSP-013-011-S2	Pins - Coiled - Stainless Steel - Standard Duty Material: 304 Stainless Steel
1.32 (0.052")	12.70 +/-0.50	1.32 - 1.35	PSP-013-013-S2	Pins - Coiled - Stainless Steel - Standard Duty Material: 304 Stainless Steel
1.50 (0.059")	5.00 +/-0.25	1.50 - 1.60	PSP-015-005-S2	Pins - Coiled - Stainless Steel - Standard Duty Material: 304 Stainless Steel
1.50 (0.059")	5.00 +/-0.25	1.50 - 1.60	PSP-015-005-C	Pins - Coiled - Plain - Standard Duty Material: High Carbon Steel
1.50 (0.059")	6.00 +/-0.25	1.50 - 1.60	PSP-015-006-S2	Pins - Coiled - Stainless Steel - Standard Duty Material: 304 Stainless Steel
1.50 (0.059")	6.00 +/-0.25	1.50 - 1.60	PSP-015-006-C	Pins - Coiled - Plain - Standard Duty Material: High Carbon Steel
1.50 (0.059")	8.00 +/-0.25	1.50 - 1.60	PSP-015-008-S2	Pins - Coiled - Stainless Steel - Standard Duty Material: 304 Stainless Steel
1.50 (0.059")	8.00 +/-0.25	1.50 - 1.60	PSP-015-008-C	Pins - Coiled - Plain - Standard Duty Material: High Carbon Steel
1.50 (0.059")	10.00 +/-0.50	1.50 - 1.60	PSP-015-010-S2	Pins - Coiled - Stainless Steel - Standard Duty Material: 304 Stainless Steel
1.50 (0.059")	10.00 +/-0.50	1.50 - 1.60	PSP-015-010-C	Pins - Coiled - Plain - Standard Duty Material: High Carbon Steel
1.50 (0.059")	12.00 +/-0.50	1.50 - 1.60	PSP-015-012-S2	Pins - Coiled - Stainless Steel - Standard Duty Material: 304 Stainless Steel
1.50 (0.059")	12.00 +/-0.50	1.50 - 1.60	PSP-015-012-C	Pins - Coiled - Plain - Standard Duty Material: High Carbon Steel
1.50 (0.059")	14.00 +/-0.50	1.50 - 1.60	PSP-015-014-S2	Pins - Coiled - Stainless Steel - Standard Duty Material: 304 Stainless Steel
1.50 (0.059")	14.00 +/-0.50	1.50 - 1.60	PSP-015-014-C	Pins - Coiled - Plain - Standard Duty Material: High Carbon Steel
1.50 (0.059")	16.00 +/-0.50	1.50 - 1.60	PSP-015-016-S2	Pins - Coiled - Stainless Steel - Standard Duty Material: 304 Stainless Steel
1.50 (0.059")	16.00 +/-0.50	1.50 - 1.60	PSP-015-016-C	Pins - Coiled - Plain - Standard Duty Material: High Carbon Steel
1.50 (0.059")	20.00 +/-0.50	1.50 - 1.60	PSP-015-020-S2	Pins - Coiled - Stainless Steel - Standard Duty Material: 304 Stainless Steel
1.50 (0.059")	24.00 +/-0.50	1.50 - 1.60	PSP-015-024-S2	Pins - Coiled - Stainless Steel - Standard Duty Material: 304 Stainless Steel
1.59 (0.063")	4.76 +/-0.25	1.59 - 1.65	PSP-016-005-C	Pins - Coiled - Plain - Standard Duty Material: High Carbon Steel
1.59 (0.063")	6.35 +/-0.25	1.59 - 1.65	PSP-016-006H-C	Pins - Coiled - Plain - Heavy Duty Material: High Carbon Steel
1.59 (0.063")	6.35 +/-0.25	1.59 - 1.65	* PSP-016-006-S2	Pins - Coiled - Stainless Steel - Standard Duty Material: 304 Stainless Steel
1.59 (0.063")	6.35 +/-0.25	1.59 - 1.65	PSP-016-006-C	Pins - Coiled - Plain - Standard Duty Material: High Carbon Steel
1.59 (0.063")	7.94 +/-0.25	1.59 - 1.65	PSP-016-008H-C	Pins - Coiled - Plain - Heavy Duty Material: High Carbon Steel
1.59 (0.063")	7.94 +/-0.25	1.59 - 1.65	PSP-016-008-S2	Pins - Coiled - Stainless Steel - Standard Duty Material: 304 Stainless Steel



Stocked or Short Delivery



Usually Available Short Delivery



Long delivery or not in current production

\* Large Minimum Quantities

\*\* Available only while stock lasts

# Coiled Pins

Nom. Hole Diameter mm (inches)	Length mm	Drill Size mm	Part Number		
1.59 (0.063")	7.94 +/-0.25	1.59 - 1.65	PSP-016-008-C	Pins - Coiled - Plain - Standard Duty	Material: High Carbon Steel
1.59 (0.063")	9.53 +/-0.25	1.59 - 1.65	PSP-016-010H-C	Pins - Coiled - Plain - Heavy Duty	Material: High Carbon Steel
1.59 (0.063")	9.53 +/-0.25	1.59 - 1.65	PSP-016-010-S2	Pins - Coiled - Stainless Steel - Standard Duty	Material: 304 Stainless Steel
1.59 (0.063")	9.53 +/-0.25	1.59 - 1.65	PSP-016-010-C	Pins - Coiled - Plain - Standard Duty	Material: High Carbon Steel
1.59 (0.063")	11.11 +/-0.50	1.59 - 1.65	* PSP-016-011-S2	Pins - Coiled - Stainless Steel - Standard Duty	Material: 304 Stainless Steel
1.59 (0.063")	11.11 +/-0.50	1.59 - 1.65	PSP-016-011-C	Pins - Coiled - Plain - Standard Duty	Material: High Carbon Steel
1.59 (0.063")	12.70 +/-0.50	1.59 - 1.65	PSP-016-013H-C	Pins - Coiled - Plain - Heavy Duty	Material: High Carbon Steel
1.59 (0.063")	12.70 +/-0.50	1.59 - 1.65	PSP-016-013-S2	Pins - Coiled - Stainless Steel - Standard Duty	Material: 304 Stainless Steel
1.59 (0.063")	12.70 +/-0.50	1.59 - 1.65	PSP-016-013-C	Pins - Coiled - Plain - Standard Duty	Material: High Carbon Steel
1.59 (0.063")	14.29 +/-0.50	1.59 - 1.65	* PSP-016-014-S2	Pins - Coiled - Stainless Steel - Standard Duty	Material: 304 Stainless Steel
1.59 (0.063")	15.88 +/-0.50	1.59 - 1.65	* PSP-016-016-S2	Pins - Coiled - Stainless Steel - Standard Duty	Material: 304 Stainless Steel
1.59 (0.063")	15.88 +/-0.50	1.59 - 1.65	PSP-016-016-C	Pins - Coiled - Plain - Standard Duty	Material: High Carbon Steel
1.59 (0.063")	17.48 +/-0.50	1.59 - 1.65	* PSP-016-017-C	Pins - Coiled - Plain - Standard Duty	Material: High Carbon Steel
1.59 (0.063")	19.05 +/-0.50	1.59 - 1.65	PSP-016-019-C	Pins - Coiled - Plain - Standard Duty	Material: High Carbon Steel
1.59 (0.063")	22.23 +/-0.50	1.59 - 1.65	* PSP-016-022-C	Pins - Coiled - Plain - Standard Duty	Material: High Carbon Steel
1.59 (0.063")	23.83 +/-0.50	1.59 - 1.65	** PSP-016-024-C	Pins - Coiled - Plain - Standard Duty	Material: High Carbon Steel
1.59 (0.063")	25.40 +/-0.50	1.59 - 1.65	PSP-016-025-C	Pins - Coiled - Plain - Standard Duty	Material: High Carbon Steel
1.98 (0.078")	6.35 +/-0.25	1.98 - 2.06	PSP-019-006-C	Pins - Coiled - Plain - Standard Duty	Material: High Carbon Steel
1.98 (0.078")	7.94 +/-0.25	1.98 - 2.06	PSP-019-008-C	Pins - Coiled - Plain - Standard Duty	Material: High Carbon Steel
1.98 (0.078")	9.53 +/-0.25	1.98 - 2.06	PSP-019-010-C	Pins - Coiled - Plain - Standard Duty	Material: High Carbon Steel
1.98 (0.078")	11.11 +/-0.50	1.98 - 2.06	PSP-019-011-C	Pins - Coiled - Plain - Standard Duty	Material: High Carbon Steel
1.98 (0.078")	12.70 +/-0.50	1.98 - 2.06	PSP-019-013-C	Pins - Coiled - Plain - Standard Duty	Material: High Carbon Steel
1.98 (0.078")	15.88 +/-0.50	1.98 - 2.06	PSP-019-016-C	Pins - Coiled - Plain - Standard Duty	Material: High Carbon Steel
1.98 (0.078")	19.05 +/-0.50	1.98 - 2.06	PSP-019-019-C	Pins - Coiled - Plain - Standard Duty	Material: High Carbon Steel
1.98 (0.078")	25.40 +/-0.50	1.98 - 2.06	PSP-019-025-C	Pins - Coiled - Plain - Standard Duty	Material: High Carbon Steel
2.00 (0.079")	6.00 +/-0.25	2.00 - 2.10	PSP-020-006-S2	Pins - Coiled - Stainless Steel - Standard Duty	Material: 304 Stainless Steel
2.00 (0.079")	8.00 +/-0.25	2.00 - 2.10	* PSP-020-008-S2	Pins - Coiled - Stainless Steel - Standard Duty	Material: 304 Stainless Steel
2.00 (0.079")	8.00 +/-0.25	2.00 - 2.10	PSP-020-008-S42	Pins - Coiled - Stainless Steel - Standard Duty	Material: 420 PV Stainless Steel
2.00 (0.079")	10.00 +/-0.50	2.00 - 2.10	** PSP-020-010-S2	Pins - Coiled - Stainless Steel - Standard Duty	Material: 304 Stainless Steel
2.00 (0.079")	12.00 +/-0.50	2.00 - 2.10	** PSP-020-012-S2	Pins - Coiled - Stainless Steel - Standard Duty	Material: 304 Stainless Steel
2.00 (0.079")	12.00 +/-0.50	2.00 - 2.10	PSP-020-012-C	Pins - Coiled - Plain - Standard Duty	Material: High Carbon Steel



Stocked or Short Delivery



Usually Available Short Delivery



Long delivery or not in current production

\* Large Minimum Quantities

\*\* Available only while stock lasts

# Coiled Pins

Nom. Hole Diameter mm (inches)	Length mm	Drill Size mm	Part Number	
2.00 (0.079")	14.00 +/-0.50	2.00 - 2.10	PSP-020-014-S2	Pins - Coiled - Stainless Steel - Standard Duty Material: 304 Stainless Steel
2.00 (0.079")	14.00 +/-0.50	2.00 - 2.10	PSP-020-014-C	Pins - Coiled - Plain - Standard Duty Material: High Carbon Steel
2.00 (0.079")	16.00 +/-0.50	2.00 - 2.10	PSP-020-016-S2	Pins - Coiled - Stainless Steel - Standard Duty Material: 304 Stainless Steel
2.00 (0.079")	18.00 +/-0.50	2.00 - 2.10	PSP-020-018-S2	Pins - Coiled - Stainless Steel - Standard Duty Material: 304 Stainless Steel
2.00 (0.079")	18.00 +/-0.50	2.00 - 2.10	PSP-020-018-C	Pins - Coiled - Plain - Standard Duty Material: High Carbon Steel
2.00 (0.079")	20.00 +/-0.50	2.00 - 2.10	PSP-020-020-S2	Pins - Coiled - Stainless Steel - Standard Duty Material: 304 Stainless Steel
2.00 (0.079")	20.00 +/-0.50	2.00 - 2.10	PSP-020-020-C	Pins - Coiled - Plain - Standard Duty Material: High Carbon Steel
2.00 (0.079")	20.00 +/-0.50	2.00 - 2.10	PSP-020-020H-C	Pins - Coiled - Plain - Heavy Duty Material: High Carbon Steel
2.00 (0.079")	24.00 +/-0.50	2.00 - 2.10	PSP-020-024-S2	Pins - Coiled - Stainless Steel - Standard Duty Material: 304 Stainless Steel
2.00 (0.079")	26.00 +/-0.50	2.00 - 2.10	** PSP-020-026-S2	Pins - Coiled - Stainless Steel - Standard Duty Material: 304 Stainless Steel
2.00 (0.079")	26.00 +/-0.50	2.00 - 2.10	* PSP-020-026-C	Pins - Coiled - Plain - Standard Duty Material: High Carbon Steel
2.00 (0.079")	30.00 +/-0.50	2.00 - 2.10	PSP-020-030-S2	Pins - Coiled - Stainless Steel - Standard Duty Material: 304 Stainless Steel
2.00 (0.079")	35.00 +/-0.50	2.00 - 2.10	PSP-020-035-C	Pins - Coiled - Plain - Standard Duty Material: High Carbon Steel
2.38 (0.094")	6.35 +/-0.25	2.38 - 2.46	PSP-024-006H-C	Pins - Coiled - Plain - Heavy Duty Material: High Carbon Steel
2.38 (0.094")	6.35 +/-0.25	2.38 - 2.46	PSP-024-006-C	Pins - Coiled - Plain - Standard Duty Material: High Carbon Steel
2.38 (0.094")	6.35 +/-0.25	2.38 - 2.46	PSP-024-006-A-C	Pins - Coiled - Plain - Standard Duty Material: High Carbon Steel
2.38 (0.094")	7.93 +/-0.25	2.38 - 2.46	PSP-024-008H-S2	Pins - Coiled - Stainless Steel - Heavy Duty Material: 304 Stainless Steel
2.38 (0.094")	7.93 +/-0.25	2.38 - 2.46	PSP-024-008H-S420	Pins - Coiled - Stainless Steel - Heavy Duty Material: 420 Stainless Steel Oiled
2.38 (0.094")	7.93 +/-0.25	2.38 - 2.46	PSP-024-008-C	Pins - Coiled - Plain - Standard Duty Material: High Carbon Steel
2.38 (0.094")	7.93 +/-0.25	2.38 - 2.46	PSP-024-008-A-C	Pins - Coiled - Plain - Standard Duty Material: High Carbon Steel
2.38 (0.094")	9.53 +/-0.25	2.38 - 2.46	* PSP-024-010-S2	Pins - Coiled - Stainless Steel - Standard Duty Material: 304 Stainless Steel
2.38 (0.094")	9.53 +/-0.25	2.38 - 2.46	PSP-024-010-C	Pins - Coiled - Plain - Standard Duty Material: High Carbon Steel
2.38 (0.094")	9.53 +/-0.25	2.38 - 2.46	PSP-024-010-A-C	Pins - Coiled - Plain - Standard Duty Material: High Carbon Steel
2.38 (0.094")	11.11 +/-0.50	2.38 - 2.46	PSP-024-011-S2	Pins - Coiled - Stainless Steel - Standard Duty Material: 304 Stainless Steel
2.38 (0.094")	11.11 +/-0.50	2.38 - 2.46	* PSP-024-011-S3	Pins - Coiled - Stainless Steel - Standard Duty Material: 304 Stainless Steel
2.38 (0.094")	11.11 +/-0.50	2.38 - 2.46	PSP-024-011-C	Pins - Coiled - Plain - Standard Duty Material: High Carbon Steel
2.38 (0.094")	12.70 +/-0.25	2.38 - 2.46	PSP-024-013H-S2	Pins - Coiled - Stainless Steel - Heavy Duty Material: 304 Stainless Steel
2.38 (0.094")	12.70 +/-0.50	2.38 - 2.46	PSP-024-013H-C	Pins - Coiled - Plain - Heavy Duty Material: High Carbon Steel
2.38 (0.094")	12.70 +/-0.50	2.38 - 2.46	* PSP-024-013-S2	Pins - Coiled - Stainless Steel - Standard Duty Material: 304 Stainless Steel
2.38 (0.094")	12.70 +/-0.50	2.38 - 2.46	PSP-024-013-C	Pins - Coiled - Plain - Standard Duty Material: High Carbon Steel
2.38 (0.094")	14.28 +/-0.50	2.38 - 2.46	* PSP-024-014-S2	Pins - Coiled - Stainless Steel - Standard Duty Material: 304 Stainless Steel



Stocked or Short Delivery



Usually Available Short Delivery



Long delivery or not in current production

\* Large Minimum Quantities

\*\* Available only while stock lasts

# Coiled Pins

Nom. Hole Diameter mm (inches)	Length mm	Drill Size mm	Part Number		
2.38 (0.094")	14.28 +/-0.50	2.38 - 2.46	PSP-024-014-C	Pins - Coiled - Plain - Standard Duty	Material: High Carbon Steel
2.38 (0.094")	15.88 +/-0.25	2.38 - 2.46	PSP-024-016H-S2	Pins - Coiled - Stainless Steel - Heavy Duty	Material: 304 Stainless Steel
2.38 (0.094")	15.88 +/-0.50	2.38 - 2.46	* PSP-024-016-S2	Pins - Coiled - Stainless Steel - Standard Duty	Material: 304 Stainless Steel
2.38 (0.094")	15.88 +/-0.50	2.38 - 2.46	PSP-024-016-C	Pins - Coiled - Plain - Standard Duty	Material: High Carbon Steel
2.38 (0.094")	17.46 +/-0.50	2.38 - 2.46	* PSP-024-017-S2	Pins - Coiled - Stainless Steel - Standard Duty	Material: 304 Stainless Steel
2.38 (0.094")	17.46 +/-0.50	2.38 - 2.46	* PSP-024B-017-C	Pins - Coiled - Plain - Standard Duty	Material: High Carbon Steel
2.38 (0.094")	19.05 +/-0.25	2.38 - 2.46	PSP-024-019H-S2	Pins - Coiled - Stainless Steel - Heavy Duty	Material: 304 Stainless Steel
2.38 (0.094")	19.05 +/-0.50	2.38 - 2.46	PSP-024-019-S2	Pins - Coiled - Stainless Steel - Standard Duty	Material: 304 Stainless Steel
2.38 (0.094")	19.05 +/-0.50	2.38 - 2.46	PSP-024-019-C	Pins - Coiled - Plain - Standard Duty	Material: High Carbon Steel
2.38 (0.094")	20.63 +/-0.50	2.38 - 2.46	* PSP-024B-021-C	Pins - Coiled - Plain - Standard Duty	Material: High Carbon Steel
2.38 (0.094")	22.23 +/-0.25	2.38 - 2.46	PSP-024-022H-S2	Pins - Coiled - Stainless Steel - Heavy Duty	Material: 304 Stainless Steel
2.38 (0.094")	22.23 +/-0.50	2.38 - 2.46	PSP-024-022-C	Pins - Coiled - Plain - Standard Duty	Material: High Carbon Steel
2.38 (0.094")	23.83 +/-0.50	2.38 - 2.46	* PSP-024B-024-C	Pins - Coiled - Plain - Standard Duty	Material: High Carbon Steel
2.38 (0.094")	25.40 +/-0.50	2.38 - 2.46	PSP-024-025-C	Pins - Coiled - Plain - Standard Duty	Material: High Carbon Steel
2.38 (0.094")	28.58 +/-0.50	2.38 - 2.46	PSP-024-029-C	Pins - Coiled - Plain - Standard Duty	Material: High Carbon Steel
2.38 (0.094")	31.75 +/-0.50	2.38 - 2.46	* PSP-024B-032-C	Pins - Coiled - Plain - Standard Duty	Material: High Carbon Steel
2.38 (0.094")	38.10 +/-0.50	2.38 - 2.46	PSP-024-038-C	Pins - Coiled - Plain - Standard Duty	Material: High Carbon Steel
2.50 (0.098")	4.76 +/-0.25	2.50 - 2.60	* PSP-025B-005-S2	Pins - Coiled - Stainless Steel - Standard Duty	Material: 304 Stainless Steel
2.50 (0.098")	6.35 +/-0.25	2.50 - 2.60	* PSP-025B-006-S2	Pins - Coiled - Stainless Steel - Standard Duty	Material: 304 Stainless Steel
2.50 (0.098")	7.94 +/-0.25	2.50 - 2.60	* PSP-025B-008-S2	Pins - Coiled - Stainless Steel - Standard Duty	Material: 304 Stainless Steel
2.50 (0.098")	8.00 +/-0.25	2.50 - 2.60	PSP-025-008-S2	Pins - Coiled - Stainless Steel - Standard Duty	Material: 304 Stainless Steel
2.50 (0.098")	8.00 +/-0.25	2.50 - 2.60	PSP-025-008-C	Pins - Coiled - Plain - Standard Duty	Material: High Carbon Steel
2.50 (0.098")	9.53 +/-0.25	2.50 - 2.60	* PSP-025B-010-S2	Pins - Coiled - Stainless Steel - Standard Duty	Material: 304 Stainless Steel
2.50 (0.098")	10.00 +/-0.50	2.50 - 2.60	PSP-025-010-S2	Pins - Coiled - Stainless Steel - Standard Duty	Material: 304 Stainless Steel
2.50 (0.098")	10.00 +/-0.50	2.50 - 2.60	PSP-025-010-C	Pins - Coiled - Plain - Standard Duty	Material: High Carbon Steel
2.50 (0.098")	11.11 +/-0.50	2.50 - 2.60	* PSP-025B-011-S2	Pins - Coiled - Stainless Steel - Standard Duty	Material: 304 Stainless Steel
2.50 (0.098")	12.00 +/-0.50	2.50 - 2.60	PSP-025-012-S2	Pins - Coiled - Stainless Steel - Standard Duty	Material: 304 Stainless Steel
2.50 (0.098")	12.00 +/-0.50	2.50 - 2.60	** PSP-025-012-C	Pins - Coiled - Plain - Standard Duty	Material: High Carbon Steel
2.50 (0.098")	12.70 +/-0.50	2.50 - 2.60	* PSP-025B-013-S2	Pins - Coiled - Stainless Steel - Standard Duty	Material: 304 Stainless Steel
2.50 (0.098")	14.00 +/-0.50	2.50 - 2.60	PSP-025-014-S2	Pins - Coiled - Stainless Steel - Standard Duty	Material: 304 Stainless Steel
2.50 (0.098")	14.00 +/-0.50	2.50 - 2.60	PSP-025-014-C	Pins - Coiled - Plain - Standard Duty	Material: High Carbon Steel

Stocked or Short Delivery     
 Usually Available Short Delivery     
 Long delivery or not in current production

\* Large Minimum Quantities

\*\* Available only while stock lasts

# Coiled Pins

Nom. Hole Diameter mm (inches)	Length mm	Drill Size mm	Part Number	
2.50 (0.098")	16.00 +/-0.50	2.50 - 2.60	PSP-025-016-S2	Pins - Coiled - Stainless Steel - Standard Duty Material: 304 Stainless Steel
2.50 (0.098")	16.00 +/-0.50	2.50 - 2.60	PSP-025-016-C	Pins - Coiled - Plain - Standard Duty Material: High Carbon Steel
2.50 (0.098")	18.00 +/-0.50	2.50 - 2.60	PSP-025-018-S2	Pins - Coiled - Stainless Steel - Standard Duty Material: 304 Stainless Steel
2.50 (0.098")	18.00 +/-0.50	2.50 - 2.60	PSP-025-018-C	Pins - Coiled - Plain - Standard Duty Material: High Carbon Steel
2.50 (0.098")	20.00 +/-0.50	2.50 - 2.60	PSP-025-020-S2	Pins - Coiled - Stainless Steel - Standard Duty Material: 304 Stainless Steel
2.50 (0.098")	20.00 +/-0.50	2.50 - 2.60	PSP-025-020-C	Pins - Coiled - Plain - Standard Duty Material: High Carbon Steel
2.50 (0.098")	22.00 +/-0.50	2.50 - 2.60	PSP-025-022-S2	Pins - Coiled - Stainless Steel - Standard Duty Material: 304 Stainless Steel
2.50 (0.098")	22.00 +/-0.50	2.50 - 2.60	PSP-025-022-C	Pins - Coiled - Plain - Standard Duty Material: High Carbon Steel
2.50 (0.098")	24.00 +/-0.50	2.50 - 2.60	PSP-025-024-S2	Pins - Coiled - Stainless Steel - Standard Duty Material: 304 Stainless Steel
2.50 (0.098")	24.00 +/-0.50	2.50 - 2.60	PSP-025-024-C	Pins - Coiled - Plain - Standard Duty Material: High Carbon Steel
2.78 (0.109")	6.35 +/-0.25	2.78 - 2.84	PSP-028-006-S2	Pins - Coiled - Stainless Steel - Standard Duty Material: 304 Stainless Steel
2.78 (0.109")	6.35 +/-0.25	2.78 - 2.84	PSP-028-006-C	Pins - Coiled - Plain - Standard Duty Material: High Carbon Steel
2.78 (0.109")	12.70 +/-0.50	2.78 - 2.84	PSP-028-013-S2	Pins - Coiled - Stainless Steel - Standard Duty Material: 304 Stainless Steel
2.78 (0.109")	12.70 +/-0.50	2.78 - 2.84	PSP-028-013-C	Pins - Coiled - Plain - Standard Duty Material: High Carbon Steel
2.78 (0.109")	19.05 +/-0.50	2.78 - 2.84	PSP-028-019-C	Pins - Coiled - Plain - Standard Duty Material: High Carbon Steel
2.78 (0.109")	25.40 +/-0.50	2.78 - 2.84	PSP-028-025-C	Pins - Coiled - Plain - Standard Duty Material: High Carbon Steel
2.78 (0.109")	38.10 +/-0.50	2.78 - 2.84	PSP-028-038-C	Pins - Coiled - Plain - Standard Duty Material: High Carbon Steel
3.00 (0.118")	10.00 +/-0.50	3.00 - 3.10	PSP-030-010-S2	Pins - Coiled - Stainless Steel - Standard Duty Material: 304 Stainless Steel
3.00 (0.118")	10.00 +/-0.50	3.00 - 3.10	PSP-030-010-C	Pins - Coiled - Plain - Standard Duty Material: High Carbon Steel
3.00 (0.118")	12.00 +/-0.50	3.00 - 3.10	PSP-030-012-S2	Pins - Coiled - Stainless Steel - Standard Duty Material: 304 Stainless Steel
3.00 (0.118")	12.00 +/-0.50	3.00 - 3.10	PSP-030-012-C	Pins - Coiled - Plain - Standard Duty Material: High Carbon Steel
3.00 (0.118")	14.00 +/-0.50	3.00 - 3.10	** PSP-030-014-S2	Pins - Coiled - Stainless Steel - Standard Duty Material: 304 Stainless Steel
3.00 (0.118")	14.00 +/-0.50	3.00 - 3.10	PSP-030-014-C	Pins - Coiled - Plain - Standard Duty Material: High Carbon Steel
3.00 (0.118")	16.00 +/-0.50	3.00 - 3.10	PSP-030-016H-S420	Pins - Coiled - Stainless Steel - Heavy Duty Material: 420 Stainless Steel Oiled
3.00 (0.118")	16.00 +/-0.50	3.00 - 3.10	PSP-030-016-S2	Pins - Coiled - Stainless Steel - Standard Duty Material: 304 Stainless Steel
3.00 (0.118")	16.00 +/-0.50	3.00 - 3.10	PSP-030-016-C	Pins - Coiled - Plain - Standard Duty Material: High Carbon Steel
3.00 (0.118")	18.00 +/-0.50	3.00 - 3.10	PSP-030-018-S2	Pins - Coiled - Stainless Steel - Standard Duty Material: 304 Stainless Steel
3.00 (0.118")	18.00 +/-0.50	3.00 - 3.10	PSP-030-018-C	Pins - Coiled - Plain - Standard Duty Material: High Carbon Steel
3.00 (0.118")	20.00 +/-0.50	3.00 - 3.10	PSP-030-020-S2	Pins - Coiled - Stainless Steel - Standard Duty Material: 304 Stainless Steel
3.00 (0.118")	20.00 +/-0.50	3.00 - 3.10	PSP-030-020-C	Pins - Coiled - Plain - Standard Duty Material: High Carbon Steel
3.00 (0.118")	22.00 +/-0.50	3.00 - 3.10	PSP-030-022-S2	Pins - Coiled - Stainless Steel - Standard Duty Material: 304 Stainless Steel



Stocked or Short Delivery



Usually Available Short Delivery



Long delivery or not in current production

\* Large Minimum Quantities

\*\* Available only while stock lasts



# Coiled Pins

Nom. Hole Diameter mm (inches)	Length mm	Drill Size mm	Part Number		
3.00 (0.118")	22.00 +/-0.50	3.00 - 3.10	** PSP-030-022-C	Pins - Coiled - Plain - Standard Duty	Material: High Carbon Steel
3.00 (0.118")	24.00 +/-0.50	3.00 - 3.10	PSP-030-024-S2	Pins - Coiled - Stainless Steel - Standard Duty	Material: 304 Stainless Steel
3.00 (0.118")	24.00 +/-0.50	3.00 - 3.10	PSP-030-024-C	Pins - Coiled - Plain - Standard Duty	Material: High Carbon Steel
3.00 (0.118")	26.00 +/-0.50	3.00 - 3.10	PSP-030-026H-C	Pins - Coiled - Plain - Heavy Duty	Material: High Carbon Steel
3.00 (0.118")	26.00 +/-0.50	3.00 - 3.10	PSP-030-026-S2	Pins - Coiled - Stainless Steel - Standard Duty	Material: 304 Stainless Steel
3.00 (0.118")	26.00 +/-0.50	3.00 - 3.10	PSP-030-026-C	Pins - Coiled - Plain - Standard Duty	Material: High Carbon Steel
3.00 (0.118")	28.00 +/-0.50	3.00 - 3.10	PSP-030-028-S2	Pins - Coiled - Stainless Steel - Standard Duty	Material: 304 Stainless Steel
3.00 (0.118")	28.00 +/-0.50	3.00 - 3.10	PSP-030-028-C	Pins - Coiled - Plain - Standard Duty	Material: High Carbon Steel
3.00 (0.118")	30.00 +/-0.50	3.00 - 3.10	PSP-030-030H-C	Pins - Coiled - Plain - Heavy Duty	Material: High Carbon Steel
3.00 (0.118")	30.00 +/-0.50	3.00 - 3.10	PSP-030-030-S2	Pins - Coiled - Stainless Steel - Standard Duty	Material: 304 Stainless Steel
3.00 (0.118")	30.00 +/-0.50	3.00 - 3.10	PSP-030-030-C	Pins - Coiled - Plain - Standard Duty	Material: High Carbon Steel
3.00 (0.118")	35.00 +/-0.50	3.00 - 3.10	PSP-030-035-S2	Pins - Coiled - Stainless Steel - Standard Duty	Material: 304 Stainless Steel
3.00 (0.118")	35.00 +/-0.50	3.00 - 3.10	PSP-030-035-C	Pins - Coiled - Plain - Standard Duty	Material: High Carbon Steel
3.00 (0.118")	40.00 +/-0.50	3.00 - 3.10	** PSP-030-040-S2	Pins - Coiled - Stainless Steel - Standard Duty	Material: 304 Stainless Steel
3.00 (0.118")	40.00 +/-0.50	3.00 - 3.10	PSP-030-040-C	Pins - Coiled - Plain - Standard Duty	Material: High Carbon Steel
3.18 (0.125")	6.35 +/-0.25	3.18 - 3.28	PSP-032-006H-S2	Pins - Coiled - Stainless Steel - Heavy Duty	Material: 304 Stainless Steel
3.18 (0.125")	6.35 +/-0.25	3.18 - 3.28	PSP-032-006H-C	Pins - Coiled - Plain - Heavy Duty	Material: High Carbon Steel
3.18 (0.125")	6.35 +/-0.25	3.18 - 3.28	PSP-032-006-S2	Pins - Coiled - Stainless Steel - Standard Duty	Material: 304 Stainless Steel
3.18 (0.125")	7.93 +/-0.25	3.18 - 3.28	* PSP-032-008-C	Pins - Coiled - Plain - Standard Duty	Material: High Carbon Steel
3.18 (0.125")	9.53 +/-0.25	3.18 - 3.28	PSP-032-010-S2	Pins - Coiled - Stainless Steel - Standard Duty	Material: 304 Stainless Steel
3.18 (0.125")	9.53 +/-0.25	3.18 - 3.28	PSP-032-010-C	Pins - Coiled - Plain - Standard Duty	Material: High Carbon Steel
3.18 (0.125")	11.11 +/-0.50	3.18 - 3.28	* PSP-032-011-S2	Pins - Coiled - Stainless Steel - Standard Duty	Material: 304 Stainless Steel
3.18 (0.125")	11.11 +/-0.50	3.18 - 3.28	PSP-032-011-C	Pins - Coiled - Plain - Standard Duty	Material: High Carbon Steel
3.18 (0.125")	12.70 +/-0.50	3.18 - 3.28	* PSP-032-013-S2	Pins - Coiled - Stainless Steel - Standard Duty	Material: 304 Stainless Steel
3.18 (0.125")	12.70 +/-0.50	3.18 - 3.28	PSP-032-013-C	Pins - Coiled - Plain - Standard Duty	Material: High Carbon Steel
3.18 (0.125")	14.27 +/-0.50	3.18 - 3.28	* PSP-032-014-S2	Pins - Coiled - Stainless Steel - Standard Duty	Material: 304 Stainless Steel
3.18 (0.125")	14.27 +/-0.50	3.18 - 3.28	PSP-032-014-C	Pins - Coiled - Plain - Standard Duty	Material: High Carbon Steel
3.18 (0.125")	15.88 +/-0.50	3.18 - 3.28	PSP-032-016H-C	Pins - Coiled - Plain - Heavy Duty	Material: High Carbon Steel
3.18 (0.125")	15.88 +/-0.50	3.18 - 3.28	* PSP-032-016-S2	Pins - Coiled - Stainless Steel - Standard Duty	Material: 304 Stainless Steel
3.18 (0.125")	15.88 +/-0.50	3.18 - 3.28	PSP-032-016-C	Pins - Coiled - Plain - Standard Duty	Material: High Carbon Steel
3.18 (0.125")	17.46 +/-0.50	3.18 - 3.28	* PSP-032-017-S2	Pins - Coiled - Stainless Steel - Standard Duty	Material: 304 Stainless Steel



Stocked or Short Delivery



Usually Available Short Delivery



Long delivery or not in current production

\* Large Minimum Quantities

\*\* Available only while stock lasts

# Coiled Pins

Nom. Hole Diameter mm (inches)	Length mm	Drill Size mm	Part Number		
3.18 (0.125")	17.46 +/-0.50	3.18 - 3.28	* PSP-032-017-C	<i>Pins - Coiled - Plain - Standard Duty</i>	Material: High Carbon Steel
3.18 (0.125")	19.05 +/-0.50	3.18 - 3.28	<b>PSP-032-019H-S2</b>	<i>Pins - Coiled - Stainless Steel - Heavy Duty</i>	Material: 304 Stainless Steel
3.18 (0.125")	19.05 +/-0.50	3.18 - 3.28	<b>PSP-032-019H-C</b>	<i>Pins - Coiled - Plain - Heavy Duty</i>	Material: High Carbon Steel
3.18 (0.125")	19.05 +/-0.50	3.18 - 3.28	<b>PSP-032-019-S2</b>	<i>Pins - Coiled - Stainless Steel - Standard Duty</i>	Material: 304 Stainless Steel
3.18 (0.125")	19.05 +/-0.50	3.18 - 3.28	<b>PSP-032-019-C</b>	<i>Pins - Coiled - Plain - Standard Duty</i>	Material: High Carbon Steel
3.18 (0.125")	20.63 +/-0.50	3.18 - 3.28	** PSP-032-021-C	<i>Pins - Coiled - Plain - Standard Duty</i>	Material: High Carbon Steel
3.18 (0.125")	22.23 +/-0.50	3.18 - 3.28	<b>PSP-032-022H-C</b>	<i>Pins - Coiled - Plain - Heavy Duty</i>	Material: High Carbon Steel
3.18 (0.125")	22.23 +/-0.50	3.18 - 3.28	* PSP-032-022-S2	<i>Pins - Coiled - Stainless Steel - Standard Duty</i>	Material: 304 Stainless Steel
3.18 (0.125")	22.23 +/-0.50	3.18 - 3.28	<b>PSP-032-022-C</b>	<i>Pins - Coiled - Plain - Standard Duty</i>	Material: High Carbon Steel
3.18 (0.125")	23.83 +/-0.50	3.18 - 3.28	<b>PSP-032-024-S2</b>	<i>Pins - Coiled - Stainless Steel - Standard Duty</i>	Material: 304 Stainless Steel
3.18 (0.125")	23.83 +/-0.50	3.18 - 3.28	** PSP-032-024-C	<i>Pins - Coiled - Plain - Standard Duty</i>	Material: High Carbon Steel
3.18 (0.125")	25.40 +/-0.50	3.18 - 3.28	<b>PSP-032-025H-C</b>	<i>Pins - Coiled - Plain - Heavy Duty</i>	Material: High Carbon Steel
3.18 (0.125")	25.40 +/-0.50	3.18 - 3.28	<b>PSP-032-025-S2</b>	<i>Pins - Coiled - Stainless Steel - Standard Duty</i>	Material: 304 Stainless Steel
3.18 (0.125")	25.40 +/-0.50	3.18 - 3.28	<b>PSP-032-025-C</b>	<i>Pins - Coiled - Plain - Standard Duty</i>	Material: High Carbon Steel
3.18 (0.125")	28.58 +/-0.50	3.18 - 3.28	<b>PSP-032-029-C</b>	<i>Pins - Coiled - Plain - Standard Duty</i>	Material: High Carbon Steel
3.18 (0.125")	31.75 +/-0.50	3.18 - 3.28	<b>PSP-032-032H-C</b>	<i>Pins - Coiled - Plain - Heavy Duty</i>	Material: High Carbon Steel
3.18 (0.125")	31.75 +/-0.50	3.18 - 3.28	<b>PSP-032-032-C</b>	<i>Pins - Coiled - Plain - Standard Duty</i>	Material: High Carbon Steel
3.18 (0.125")	34.93 +/-0.50	3.18 - 3.28	* PSP-032-035-C	<i>Pins - Coiled - Plain - Standard Duty</i>	Material: High Carbon Steel
3.18 (0.125")	38.10 +/-0.50	3.18 - 3.28	<b>PSP-032-038H-C</b>	<i>Pins - Coiled - Plain - Heavy Duty</i>	Material: High Carbon Steel
3.18 (0.125")	38.10 +/-0.50	3.18 - 3.28	<b>PSP-032-038-C</b>	<i>Pins - Coiled - Plain - Standard Duty</i>	Material: High Carbon Steel
3.18 (0.125")	44.45 +/-0.50	3.18 - 3.28	<b>PSP-032-044-C</b>	<i>Pins - Coiled - Plain - Standard Duty</i>	Material: High Carbon Steel
3.18 (0.125")	50.80 +/-0.50	3.18 - 3.28	<b>PSP-032-051-C</b>	<i>Pins - Coiled - Plain - Standard Duty</i>	Material: High Carbon Steel
3.50 (0.138")	12.00 +/-0.50	3.50 - 3.62	<b>PSP-035-012-S2</b>	<i>Pins - Coiled - Stainless Steel - Standard Duty</i>	Material: 304 Stainless Steel
3.50 (0.138")	12.00 +/-0.50	3.50 - 3.62	<b>PSP-035-012-C</b>	<i>Pins - Coiled - Plain - Standard Duty</i>	Material: High Carbon Steel
3.50 (0.138")	14.00 +/-0.50	3.50 - 3.62	<b>PSP-035-014-C</b>	<i>Pins - Coiled - Plain - Standard Duty</i>	Material: High Carbon Steel
3.50 (0.138")	16.00 +/-0.50	3.50 - 3.62	** PSP-035-016-S2	<i>Pins - Coiled - Stainless Steel - Standard Duty</i>	Material: 304 Stainless Steel
3.50 (0.138")	16.00 +/-0.50	3.50 - 3.62	<b>PSP-035-016-C</b>	<i>Pins - Coiled - Plain - Standard Duty</i>	Material: High Carbon Steel
3.50 (0.138")	18.00 +/-0.50	3.50 - 3.62	<b>PSP-035-018-S2</b>	<i>Pins - Coiled - Stainless Steel - Standard Duty</i>	Material: 304 Stainless Steel
3.50 (0.138")	18.00 +/-0.50	3.50 - 3.62	<b>PSP-035-018-C</b>	<i>Pins - Coiled - Plain - Standard Duty</i>	Material: High Carbon Steel
3.50 (0.138")	20.00 +/-0.50	3.50 - 3.62	<b>PSP-035-020-S2</b>	<i>Pins - Coiled - Stainless Steel - Standard Duty</i>	Material: 304 Stainless Steel
3.50 (0.138")	20.00 +/-0.50	3.50 - 3.62	<b>PSP-035-020-C</b>	<i>Pins - Coiled - Plain - Standard Duty</i>	Material: High Carbon Steel



Stocked or Short Delivery



Usually Available Short Delivery



Long delivery or not in current production

\* Large Minimum Quantities

\*\* Available only while stock lasts

# Coiled Pins

Nom. Hole Diameter mm (inches)	Length mm	Drill Size mm	Part Number	
3.50 (0.138")	22.00 +/-0.50	3.50 - 3.62	PSP-035-022-S2	Pins - Coiled - Stainless Steel - Standard Duty Material: 304 Stainless Steel
3.50 (0.138")	22.00 +/-0.50	3.50 - 3.62	PSP-035-022-C	Pins - Coiled - Plain - Standard Duty Material: High Carbon Steel
3.50 (0.138")	24.00 +/-0.50	3.50 - 3.62	PSP-035-024-S2	Pins - Coiled - Stainless Steel - Standard Duty Material: 304 Stainless Steel
3.50 (0.138")	24.00 +/-0.50	3.50 - 3.62	* PSP-035-024-C	Pins - Coiled - Plain - Standard Duty Material: High Carbon Steel
3.50 (0.138")	26.00 +/-0.50	3.50 - 3.62	PSP-035-026-S2	Pins - Coiled - Stainless Steel - Standard Duty Material: 304 Stainless Steel
3.50 (0.138")	26.00 +/-0.50	3.50 - 3.62	** PSP-035-026-C	Pins - Coiled - Plain - Standard Duty Material: High Carbon Steel
3.50 (0.138")	28.00 +/-0.50	3.50 - 3.62	PSP-035-028-S2	Pins - Coiled - Stainless Steel - Standard Duty Material: 304 Stainless Steel
3.50 (0.138")	28.00 +/-0.50	3.50 - 3.62	PSP-035-028-C	Pins - Coiled - Plain - Standard Duty Material: High Carbon Steel
3.50 (0.138")	30.00 +/-0.50	3.50 - 3.62	PSP-035-030-S2	Pins - Coiled - Stainless Steel - Standard Duty Material: 304 Stainless Steel
3.50 (0.138")	30.00 +/-0.50	3.50 - 3.62	PSP-035-030-C	Pins - Coiled - Plain - Standard Duty Material: High Carbon Steel
3.50 (0.138")	35.00 +/-0.50	3.50 - 3.62	PSP-035-035-S2	Pins - Coiled - Stainless Steel - Standard Duty Material: 304 Stainless Steel
3.50 (0.138")	35.00 +/-0.50	3.50 - 3.62	PSP-035-035-C	Pins - Coiled - Plain - Standard Duty Material: High Carbon Steel
3.97 (0.156")	9.53 +/-0.25	3.97 - 4.06	PSP-039-010-C	Pins - Coiled - Plain - Standard Duty Material: High Carbon Steel
3.97 (0.156")	11.13 +/-0.50	3.97 - 4.06	PSP-039-011-C	Pins - Coiled - Plain - Standard Duty Material: High Carbon Steel
3.97 (0.156")	12.70 +/-0.50	3.97 - 4.06	PSP-039-013-C	Pins - Coiled - Plain - Standard Duty Material: High Carbon Steel
3.97 (0.156")	15.88 +/-0.50	3.97 - 4.06	PSP-039-016-C	Pins - Coiled - Plain - Standard Duty Material: High Carbon Steel
3.97 (0.156")	17.45 +/-0.50	3.97 - 4.06	PSP-039-017-C	Pins - Coiled - Plain - Standard Duty Material: High Carbon Steel
3.97 (0.156")	19.05 +/-0.50	3.97 - 4.06	PSP-039-019H-C	Pins - Coiled - Plain - Heavy Duty Material: High Carbon Steel
3.97 (0.156")	19.05 +/-0.50	3.97 - 4.06	PSP-039-019-S2	Pins - Coiled - Stainless Steel - Standard Duty Material: 304 Stainless Steel
3.97 (0.156")	19.05 +/-0.50	3.97 - 4.06	PSP-039-019-C	Pins - Coiled - Plain - Standard Duty Material: High Carbon Steel
3.97 (0.156")	22.23 +/-0.50	3.97 - 4.06	PSP-039-022-C	Pins - Coiled - Plain - Standard Duty Material: High Carbon Steel
3.97 (0.156")	25.40 +/-0.50	3.97 - 4.06	PSP-039-025H-C	Pins - Coiled - Plain - Heavy Duty Material: High Carbon Steel
3.97 (0.156")	25.40 +/-0.50	3.97 - 4.06	PSP-039-025-S2	Pins - Coiled - Stainless Steel - Standard Duty Material: 304 Stainless Steel
3.97 (0.156")	25.40 +/-0.50	3.97 - 4.06	PSP-039-025-S420	Pins - Coiled - Stainless Steel - Standard Duty Material: 420 PV Stainless Steel
3.97 (0.156")	25.40 +/-0.50	3.97 - 4.06	PSP-039-025-C	Pins - Coiled - Plain - Standard Duty Material: High Carbon Steel
3.97 (0.156")	28.58 +/-0.50	3.97 - 4.06	PSP-039-029H-C	Pins - Coiled - Plain - Heavy Duty Material: High Carbon Steel
3.97 (0.156")	28.58 +/-0.50	3.97 - 4.06	PSP-039-029-C	Pins - Coiled - Plain - Standard Duty Material: High Carbon Steel
3.97 (0.156")	31.75 +/-0.50	3.97 - 4.06	PSP-039-032H-C	Pins - Coiled - Plain - Heavy Duty Material: High Carbon Steel
3.97 (0.156")	31.75 +/-0.50	3.97 - 4.06	PSP-039-032-C	Pins - Coiled - Plain - Standard Duty Material: High Carbon Steel
3.97 (0.156")	34.93 +/-0.50	3.97 - 4.06	PSP-039-035-S2	Pins - Coiled - Stainless Steel - Standard Duty Material: 304 Stainless Steel
3.97 (0.156")	34.93 +/-0.50	3.97 - 4.06	* PSP-039-035-C	Pins - Coiled - Plain - Standard Duty Material: High Carbon Steel



Stocked or Short Delivery



Usually Available Short Delivery



Long delivery or not in current production

\* Large Minimum Quantities

\*\* Available only while stock lasts

# Coiled Pins

Nom. Hole Diameter mm (inches)	Length mm	Drill Size mm	Part Number		
3.97 (0.156")	38.10 +/-0.50	3.97 - 4.06	PSP-039-038-C	Pins - Coiled - Plain - Standard Duty	Material: High Carbon Steel
3.97 (0.156")	50.80 +/-0.50	4.00 - 4.12	PSP-039-051-C	Pins - Coiled - Plain - Standard Duty	Material: High Carbon Steel
4.00 (0.157")	12.00 +/-0.50	4.00 - 4.12	PSP-040-012-S2	Pins - Coiled - Stainless Steel - Standard Duty	Material: 304 Stainless Steel
4.00 (0.157")	12.00 +/-0.50	4.00 - 4.12	PSP-040-012-C	Pins - Coiled - Plain - Standard Duty	Material: High Carbon Steel
4.00 (0.157")	14.00 +/-0.50	4.00 - 4.12	** PSP-040-014H-C	Pins - Coiled - Plain - Heavy Duty	Material: High Carbon Steel
4.00 (0.157")	14.00 +/-0.50	4.00 - 4.12	PSP-040-014-S2	Pins - Coiled - Stainless Steel - Standard Duty	Material: 304 Stainless Steel
4.00 (0.157")	14.00 +/-0.50	4.00 - 4.12	** PSP-040-014-C	Pins - Coiled - Plain - Standard Duty	Material: High Carbon Steel
4.00 (0.157")	14.00 +/-0.50	4.00 - 4.12	* PSP-040-014-Z	Pins - Coiled - Plain - Standard Duty	Material: Zinc Plated High Carbon Steel
4.00 (0.157")	16.00 +/-0.50	4.00 - 4.12	PSP-040-016-S2	Pins - Coiled - Stainless Steel - Standard Duty	Material: 304 Stainless Steel
4.00 (0.157")	16.00 +/-0.50	4.00 - 4.12	PSP-040-016H-S420	Pins - Coiled - Stainless Steel - Heavy Duty	Material: 420 Stainless Steel Oiled
4.00 (0.157")	18.00 +/-0.50	4.00 - 4.12	** PSP-040-018-S2	Pins - Coiled - Stainless Steel - Standard Duty	Material: 304 Stainless Steel
4.00 (0.157")	18.00 +/-0.50	4.00 - 4.12	PSP-040-018-C	Pins - Coiled - Plain - Standard Duty	Material: High Carbon Steel
4.00 (0.157")	20.00 +/-0.50	4.00 - 4.12	PSP-040-020-S2	Pins - Coiled - Stainless Steel - Standard Duty	Material: 304 Stainless Steel
4.00 (0.157")	20.00 +/-0.50	4.00 - 4.12	PSP-040-020-C	Pins - Coiled - Plain - Standard Duty	Material: High Carbon Steel
4.00 (0.157")	22.00 +/-0.50	4.00 - 4.12	PSP-040-022-S2	Pins - Coiled - Stainless Steel - Standard Duty	Material: 304 Stainless Steel
4.00 (0.157")	24.00 +/-0.50	4.00 - 4.12	PSP-040-024-S2	Pins - Coiled - Stainless Steel - Standard Duty	Material: 304 Stainless Steel
4.00 (0.157")	24.00 +/-0.50	4.00 - 4.12	PSP-040-024-C	Pins - Coiled - Plain - Standard Duty	Material: High Carbon Steel
4.00 (0.157")	26.00 +/-0.50	4.00 - 4.12	** PSP-040-026-S2	Pins - Coiled - Stainless Steel - Standard Duty	Material: 304 Stainless Steel
4.00 (0.157")	26.00 +/-0.50	4.00 - 4.12	PSP-040-026-C	Pins - Coiled - Plain - Standard Duty	Material: High Carbon Steel
4.00 (0.157")	28.00 +/-0.50	4.00 - 4.12	PSP-040-028-S2	Pins - Coiled - Stainless Steel - Standard Duty	Material: 304 Stainless Steel
4.00 (0.157")	28.00 +/-0.50	4.00 - 4.12	PSP-040-028-C	Pins - Coiled - Plain - Standard Duty	Material: High Carbon Steel
4.00 (0.157")	30.00 +/-0.50	4.00 - 4.12	PSP-040-030H-C	Pins - Coiled - Plain - Heavy Duty	Material: High Carbon Steel
4.00 (0.157")	30.00 +/-0.50	4.00 - 4.12	PSP-040-030-S2	Pins - Coiled - Stainless Steel - Standard Duty	Material: 304 Stainless Steel
4.00 (0.157")	30.00 +/-0.50	4.00 - 4.12	PSP-040-030-S420	Pins - Coiled - Stainless Steel - Standard Duty	Material: 420 Stainless
4.00 (0.157")	30.00 +/-0.50	4.00 - 4.12	PSP-040-030-C	Pins - Coiled - Plain - Standard Duty	Material: High Carbon Steel
4.00 (0.157")	35.00 +/-0.50	4.00 - 4.12	PSP-040-035-C	Pins - Coiled - Plain - Standard Duty	Material: High Carbon Steel
4.00 (0.157")	40.00 +/-0.50	4.00 - 4.12	PSP-040-040H-C	Pins - Coiled - Plain - Heavy Duty	Material: High Carbon Steel
4.00 (0.157")	40.00 +/-0.50	4.00 - 4.12	** PSP-040-040-C	Pins - Coiled - Plain - Standard Duty	Material: High Carbon Steel
4.00 (0.157")	45.00 +/-0.50	4.00 - 4.12	PSP-040-045-C	Pins - Coiled - Plain - Standard Duty	Material: High Carbon Steel
4.76 (0.187")	9.53 +/-0.25	4.76 - 4.88	PSP-048-010H-C	Pins - Coiled - Plain - Heavy Duty	Material: High Carbon Steel
4.76 (0.187")	12.70 +/-0.50	4.76 - 4.88	PSP-048-013H-C	Pins - Coiled - Plain - Heavy Duty	Material: High Carbon Steel

Stocked or Short Delivery    
 Usually Available Short Delivery    
 Long delivery or not in current production

\* Large Minimum Quantities

\*\* Available only while stock lasts

# Coiled Pins

Nom. Hole Diameter mm (inches)	Length mm	Drill Size mm	Part Number		
4.76 (0.187")	12.70 +/-0.50	4.76 - 4.88	PSP-048-013-S2	Pins - Coiled - Stainless Steel - Standard Duty	Material: 304 Stainless Steel
4.76 (0.187")	12.70 +/-0.50	4.76 - 4.88	PSP-048-013-C	Pins - Coiled - Plain - Standard Duty	Material: High Carbon Steel
4.76 (0.187")	14.28 +/-0.50	4.76 - 4.88	* PSP-048-014-C	Pins - Coiled - Plain - Standard Duty	Material: High Carbon Steel
4.76 (0.187")	15.88 +/-0.50	4.76 - 4.88	PSP-048-016-C	Pins - Coiled - Plain - Standard Duty	Material: High Carbon Steel
4.76 (0.187")	17.48 +/-0.50	4.76 - 4.88	* PSP-048-017-C	Pins - Coiled - Plain - Standard Duty	Material: High Carbon Steel
4.76 (0.187")	19.05 +/-0.50	4.70 - 4.88	PSP-047-019-C	Pins - Coiled - Plain - Standard Duty	Material: High Carbon Steel
4.76 (0.187")	19.05 +/-0.50	4.76 - 4.88	PSP-048-019H-C	Pins - Coiled - Plain - Heavy Duty	Material: High Carbon Steel
4.76 (0.187")	19.05 +/-0.50	4.76 - 4.88	PSP-048-019-S420	Pins - Coiled - Stainless Steel - Standard Duty	Material: 420 Stainless
4.76 (0.187")	19.05 +/-0.50	4.76 - 4.88	PSP-048-019-C	Pins - Coiled - Plain - Standard Duty	Material: High Carbon Steel
4.76 (0.187")	22.23 +/-0.50	4.76 - 4.88	PSP-048-022H-C	Pins - Coiled - Plain - Heavy Duty	Material: High Carbon Steel
4.76 (0.187")	22.23 +/-0.50	4.76 - 4.88	PSP-048-022-C	Pins - Coiled - Plain - Standard Duty	Material: High Carbon Steel
4.76 (0.187")	23.83 +/-0.50	4.76 - 4.88	* PSP-048-024-C	Pins - Coiled - Plain - Standard Duty	Material: High Carbon Steel
4.76 (0.187")	25.40 +/-0.50	4.76 - 4.88	PSP-048-025H-C	Pins - Coiled - Plain - Heavy Duty	Material: High Carbon Steel
4.76 (0.187")	25.40 +/-0.50	4.76 - 4.88	PSP-048-025-S2	Pins - Coiled - Stainless Steel - Standard Duty	Material: 304 Stainless Steel
4.76 (0.187")	25.40 +/-0.50	4.76 - 4.88	PSP-047-025-C	Pins - Coiled - Plain - Standard Duty	Material: High Carbon Steel
4.76 (0.187")	25.40 +/-0.50	4.76 - 4.88	PSP-048-025-C	Pins - Coiled - Plain - Standard Duty	Material: High Carbon Steel
4.76 (0.187")	28.58 +/-0.50	4.76 - 4.88	PSP-048-029H-C	Pins - Coiled - Plain - Heavy Duty	Material: High Carbon Steel
4.76 (0.187")	28.58 +/-0.50	4.76 - 4.88	PSP-048-029-C	Pins - Coiled - Plain - Standard Duty	Material: High Carbon Steel
4.76 (0.187")	31.75 +/-0.50	4.76 - 4.88	PSP-048-032H-C	Pins - Coiled - Plain - Heavy Duty	Material: High Carbon Steel
4.76 (0.187")	31.75 +/-0.50	4.76 - 4.88	PSP-048-032-S2	Pins - Coiled - Stainless Steel - Standard Duty	Material: 304 Stainless Steel
4.76 (0.187")	31.75 +/-0.50	4.76 - 4.88	PSP-048-032-C	Pins - Coiled - Plain - Standard Duty	Material: High Carbon Steel
4.76 (0.187")	34.93 +/-0.50	4.76 - 4.88	PSP-048-035-C	Pins - Coiled - Plain - Standard Duty	Material: High Carbon Steel
4.76 (0.187")	38.10 +/-0.50	4.76 - 4.88	PSP-048-038H-S2	Pins - Coiled - Stainless Steel - Heavy Duty	Material: 304 Stainless Steel
4.76 (0.187")	38.10 +/-0.50	4.76 - 4.88	PSP-048-038H-C	Pins - Coiled - Plain - Heavy Duty	Material: High Carbon Steel
4.76 (0.187")	38.10 +/-0.50	4.76 - 4.88	PSP-048-038-C	Pins - Coiled - Plain - Standard Duty	Material: High Carbon Steel
4.76 (0.187")	41.28 +/-0.50	4.76 - 4.88	PSP-048-041-C	Pins - Coiled - Plain - Standard Duty	Material: High Carbon Steel
4.76 (0.187")	44.45 +/-0.50	4.76 - 4.88	PSP-048-044H-S2	Pins - Coiled - Stainless Steel - Heavy Duty	Material: 304 Stainless Steel
4.76 (0.187")	44.45 +/-0.50	4.76 - 4.88	PSP-048-044H-C	Pins - Coiled - Plain - Heavy Duty	Material: High Carbon Steel
4.76 (0.187")	44.45 +/-0.50	4.76 - 4.88	PSP-048-044-S2	Pins - Coiled - Stainless Steel - Standard Duty	Material: 304 Stainless Steel
4.76 (0.187")	44.45 +/-0.50	4.76 - 4.88	PSP-048-044-C	Pins - Coiled - Plain - Standard Duty	Material: High Carbon Steel
4.76 (0.187")	47.63 +/-0.50	4.76 - 4.88	PSP-048-048-C	Pins - Coiled - Plain - Standard Duty	Material: High Carbon Steel



Stocked or Short Delivery



Usually Available Short Delivery



Long delivery or not in current production

\* Large Minimum Quantities

\*\* Available only while stock lasts

# Coiled Pins

Nom. Hole Diameter mm (inches)	Length mm	Drill Size mm	Part Number		
4.76 (0.187")	50.80 +/-0.50	4.76 - 4.88	PSP-048-051H-C	Pins - Coiled - Plain - Heavy Duty	Material: High Carbon Steel
4.76 (0.187")	63.50 +/-0.75	4.76 - 4.88	PSP-048-064-C	Pins - Coiled - Plain - Standard Duty	Material: High Carbon Steel
5.00 (0.197")	10.00 +/-0.50	5.00 - 5.12	PSP-050-010-C	Pins - Coiled - Plain - Standard Duty	Material: High Carbon Steel
5.00 (0.197")	14.00 +/-0.50	5.00 - 5.12	PSP-050-014-S2	Pins - Coiled - Stainless Steel - Standard Duty	Material: 304 Stainless Steel
5.00 (0.197")	14.00 +/-0.50	5.00 - 5.12	* PSP-050-014-S420	Pins - Coiled - Stainless Steel - Standard Duty	Material: 420 Stainless
5.00 (0.197")	14.00 +/-0.50	5.00 - 5.12	PSP-050-014-C	Pins - Coiled - Plain - Standard Duty	Material: High Carbon Steel
5.00 (0.197")	16.00 +/-0.50	5.00 - 5.12	PSP-050-016-S2	Pins - Coiled - Stainless Steel - Standard Duty	Material: 304 Stainless Steel
5.00 (0.197")	16.00 +/-0.50	5.00 - 5.12	PSP-050-016-C	Pins - Coiled - Plain - Standard Duty	Material: High Carbon Steel
5.00 (0.197")	18.00 +/-0.50	5.00 - 5.12	PSP-050-018-S2	Pins - Coiled - Stainless Steel - Standard Duty	Material: 304 Stainless Steel
5.00 (0.197")	18.00 +/-0.50	5.00 - 5.12	PSP-050-018-C	Pins - Coiled - Plain - Standard Duty	Material: High Carbon Steel
5.00 (0.197")	20.00 +/-0.50	5.00 - 5.12	** PSP-050-020-S2	Pins - Coiled - Stainless Steel - Standard Duty	Material: 304 Stainless Steel
5.00 (0.197")	20.00 +/-0.50	5.00 - 5.12	PSP-050-020-C	Pins - Coiled - Plain - Standard Duty	Material: High Carbon Steel
5.00 (0.197")	22.00 +/-0.50	5.00 - 5.12	PSP-050-022-S2	Pins - Coiled - Stainless Steel - Standard Duty	Material: 304 Stainless Steel
5.00 (0.197")	22.00 +/-0.50	5.00 - 5.12	PSP-050-022-C	Pins - Coiled - Plain - Standard Duty	Material: High Carbon Steel
5.00 (0.197")	24.00 +/-0.50	5.00 - 5.12	PSP-050-024-S2	Pins - Coiled - Stainless Steel - Standard Duty	Material: 304 Stainless Steel
5.00 (0.197")	24.00 +/-0.50	5.00 - 5.12	PSP-050-024-C	Pins - Coiled - Plain - Standard Duty	Material: High Carbon Steel
5.00 (0.197")	26.00 +/-0.50	5.00 - 5.12	** PSP-050-026-S2	Pins - Coiled - Stainless Steel - Standard Duty	Material: 304 Stainless Steel
5.00 (0.197")	26.00 +/-0.50	5.00 - 5.12	PSP-050-026-C	Pins - Coiled - Plain - Standard Duty	Material: High Carbon Steel
5.00 (0.197")	28.00 +/-0.50	5.00 - 5.12	PSP-050-028-S2	Pins - Coiled - Stainless Steel - Standard Duty	Material: 304 Stainless Steel
5.00 (0.197")	28.00 +/-0.50	5.00 - 5.12	PSP-050-028-C	Pins - Coiled - Plain - Standard Duty	Material: High Carbon Steel
5.00 (0.197")	30.00 +/-0.50	5.00 - 5.12	PSP-050-030-S2	Pins - Coiled - Stainless Steel - Standard Duty	Material: 304 Stainless Steel
5.00 (0.197")	30.00 +/-0.50	5.00 - 5.12	PSP-050-030-C	Pins - Coiled - Plain - Standard Duty	Material: High Carbon Steel
5.00 (0.197")	35.00 +/-0.50	5.00 - 5.12	PSP-050-035H-C	Pins - Coiled - Plain - Heavy Duty	Material: High Carbon Steel
5.00 (0.197")	35.00 +/-0.50	5.00 - 5.12	PSP-050-035-S2	Pins - Coiled - Stainless Steel - Standard Duty	Material: 304 Stainless Steel
5.00 (0.197")	35.00 +/-0.50	5.00 - 5.12	PSP-050-035-C	Pins - Coiled - Plain - Standard Duty	Material: High Carbon Steel
5.00 (0.197")	40.00 +/-0.50	5.00 - 5.12	PSP-050-040H-S420	Pins - Coiled - Stainless Steel - Heavy Duty	Material: 420 Stainless Steel Oiled
5.00 (0.197")	40.00 +/-0.50	5.00 - 5.12	PSP-050-040H-C	Pins - Coiled - Plain - Heavy Duty	Material: High Carbon Steel
5.00 (0.197")	40.00 +/-0.50	5.00 - 5.12	** PSP-050-040-S2	Pins - Coiled - Stainless Steel - Standard Duty	Material: 304 Stainless Steel
5.00 (0.197")	40.00 +/-0.50	5.00 - 5.12	PSP-050-040-C	Pins - Coiled - Plain - Standard Duty	Material: High Carbon Steel
5.00 (0.197")	45.00 +/-0.50	5.00 - 5.12	PSP-050-045H-C	Pins - Coiled - Plain - Heavy Duty	Material: High Carbon Steel
5.00 (0.197")	45.00 +/-0.50	5.00 - 5.12	PSP-050-045-S2	Pins - Coiled - Stainless Steel - Standard Duty	Material: 304 Stainless Steel

Stocked or Short Delivery
  Usually Available Short Delivery
  Long delivery or not in current production

\* Large Minimum Quantities

\*\* Available only while stock lasts

# Coiled Pins

Nom. Hole Diameter mm (inches)	Length mm	Drill Size mm	Part Number		
5.00 (0.197")	45.00 +/-0.50	5.00 - 5.12	PSP-050-045-C	Pins - Coiled - Plain - Standard Duty	Material: High Carbon Steel
5.00 (0.197")	50.00 +/-0.50	5.00 - 5.12	PSP-050-050-S2	Pins - Coiled - Stainless Steel - Standard Duty	Material: 304 Stainless Steel
5.00 (0.197")	50.00 +/-0.50	5.00 - 5.12	PSP-050-050-C	Pins - Coiled - Plain - Standard Duty	Material: High Carbon Steel
5.56 (0.219")	19.05 +/-0.50	5.56 - 5.69	PSP-056-019-C	Pins - Coiled - Plain - Standard Duty	Material: High Carbon Steel
5.56 (0.219")	25.40 +/-0.50	5.56 - 5.69	PSP-056-025-C	Pins - Coiled - Plain - Standard Duty	Material: High Carbon Steel
5.56 (0.219")	31.75 +/-0.50	5.56 - 5.69	PSP-056-032-C	Pins - Coiled - Plain - Standard Duty	Material: High Carbon Steel
5.56 (0.219")	38.10 +/-0.50	5.56 - 5.69	PSP-056-038-C	Pins - Coiled - Plain - Standard Duty	Material: High Carbon Steel
5.56 (0.219")	44.45 +/-0.50	5.56 - 5.69	PSP-056-044-C	Pins - Coiled - Plain - Standard Duty	Material: High Carbon Steel
5.56 (0.219")	50.80 +/-0.50	5.56 - 5.69	PSP-056-051-C	Pins - Coiled - Plain - Standard Duty	Material: High Carbon Steel
5.56 (0.219")	63.50 +/-0.75	5.56 - 5.69	PSP-056-064-C	Pins - Coiled - Plain - Standard Duty	Material: High Carbon Steel
6.00 (0.236")	16.00 +/-0.50	6.00 - 6.15	* PSP-060-016H-C	Pins - Coiled - Plain - Heavy Duty	Material: High Carbon Steel
6.00 (0.236")	16.00 +/-0.50	6.00 - 6.15	PSP-060-016-S2	Pins - Coiled - Stainless Steel - Standard Duty	Material: 304 Stainless Steel
6.00 (0.236")	16.00 +/-0.50	6.00 - 6.15	* PSP-060-016-S420	Pins - Coiled - Stainless Steel - Standard Duty	Material: 420 Stainless
6.00 (0.236")	16.00 +/-0.50	6.00 - 6.15	* PSP-060-016-C	Pins - Coiled - Plain - Standard Duty	Material: High Carbon Steel
6.00 (0.236")	18.00 +/-0.50	6.00 - 6.15	PSP-060-018-S2	Pins - Coiled - Stainless Steel - Standard Duty	Material: 304 Stainless Steel
6.00 (0.236")	20.00 +/-0.50	6.00 - 6.15	PSP-060-020-S2	Pins - Coiled - Stainless Steel - Standard Duty	Material: 304 Stainless Steel
6.00 (0.236")	20.00 +/-0.50	6.00 - 6.15	PSP-060-020-C	Pins - Coiled - Plain - Standard Duty	Material: High Carbon Steel
6.00 (0.236")	22.00 +/-0.50	6.00 - 6.15	PSP-060-022-S2	Pins - Coiled - Stainless Steel - Standard Duty	Material: 304 Stainless Steel
6.00 (0.236")	22.00 +/-0.50	6.00 - 6.15	PSP-060-022-C	Pins - Coiled - Plain - Standard Duty	Material: High Carbon Steel
6.00 (0.236")	24.00 +/-0.50	6.00 - 6.15	PSP-060-024-S2	Pins - Coiled - Stainless Steel - Standard Duty	Material: 304 Stainless Steel
6.00 (0.236")	24.00 +/-0.50	6.00 - 6.15	* PSP-060-024-S420	Pins - Coiled - Stainless Steel - Standard Duty	Material: 420 Stainless
6.00 (0.236")	24.00 +/-0.50	6.00 - 6.15	PSP-060-024-C	Pins - Coiled - Plain - Standard Duty	Material: High Carbon Steel
6.00 (0.236")	26.00 +/-0.50	6.00 - 6.15	PSP-060-026H-S2	Pins - Coiled - Stainless Steel - Heavy Duty	Material: 304 Stainless Steel
6.00 (0.236")	26.00 +/-0.50	6.00 - 6.15	PSP-060-026H-C	Pins - Coiled - Plain - Heavy Duty	Material: High Carbon Steel
6.00 (0.236")	26.00 +/-0.50	6.00 - 6.15	PSP-060-026-S2	Pins - Coiled - Stainless Steel - Standard Duty	Material: 304 Stainless Steel
6.00 (0.236")	26.00 +/-0.50	6.00 - 6.15	PSP-060-026-C	Pins - Coiled - Plain - Standard Duty	Material: High Carbon Steel
6.00 (0.236")	28.00 +/-0.50	6.00 - 6.15	PSP-060-028-S2	Pins - Coiled - Stainless Steel - Standard Duty	Material: 304 Stainless Steel
6.00 (0.236")	28.00 +/-0.50	6.00 - 6.15	PSP-060-028-C	Pins - Coiled - Plain - Standard Duty	Material: High Carbon Steel
6.00 (0.236")	30.00 +/-0.50	6.00 - 6.15	PSP-060-030-S2	Pins - Coiled - Stainless Steel - Standard Duty	Material: 304 Stainless Steel
6.00 (0.236")	30.00 +/-0.50	6.00 - 6.15	PSP-060-030-C	Pins - Coiled - Plain - Standard Duty	Material: High Carbon Steel
6.00 (0.236")	35.00 +/-0.50	6.00 - 6.15	PSP-060-035-S2	Pins - Coiled - Stainless Steel - Standard Duty	Material: 304 Stainless Steel



Stocked or Short Delivery



Usually Available Short Delivery



Long delivery or not in current production

\* Large Minimum Quantities

\*\* Available only while stock lasts

# Coiled Pins

Nom. Hole Diameter mm (inches)	Length mm	Drill Size mm	Part Number		
6.00 (0.236")	35.00 +/-0.50	6.00 - 6.15	** PSP-060-035-C	<i>Pins - Coiled - Plain - Standard Duty</i>	Material: High Carbon Steel
6.00 (0.236")	40.00 +/-0.50	6.00 - 6.15	PSP-060-040H-C	<i>Pins - Coiled - Plain - Heavy Duty</i>	Material: High Carbon Steel
6.00 (0.236")	40.00 +/-0.50	6.00 - 6.15	PSP-060-040-S2	<i>Pins - Coiled - Stainless Steel - Standard Duty</i>	Material: 304 Stainless Steel
6.00 (0.236")	40.00 +/-0.50	6.00 - 6.15	PSP-060-040-C	<i>Pins - Coiled - Plain - Standard Duty</i>	Material: High Carbon Steel
6.00 (0.236")	45.00 +/-0.50	6.00 - 6.15	PSP-060-045H-S420	<i>Pins - Coiled - Stainless Steel - Heavy Duty</i>	Material: 420 Stainless Steel Oiled
6.00 (0.236")	45.00 +/-0.50	6.00 - 6.15	PSP-060-045-S2	<i>Pins - Coiled - Stainless Steel - Standard Duty</i>	Material: 304 Stainless Steel
6.00 (0.236")	45.00 +/-0.50	6.00 - 6.15	PSP-060-045-C	<i>Pins - Coiled - Plain - Standard Duty</i>	Material: High Carbon Steel
6.00 (0.236")	50.00 +/-0.50	6.00 - 6.15	PSP-060-050-S2	<i>Pins - Coiled - Stainless Steel - Standard Duty</i>	Material: 304 Stainless Steel
6.00 (0.236")	50.00 +/-0.50	6.00 - 6.15	PSP-060-050-C	<i>Pins - Coiled - Plain - Standard Duty</i>	Material: High Carbon Steel
6.00 (0.236")	55.00 +/-0.75	6.00 - 6.15	PSP-060-055-S2	<i>Pins - Coiled - Stainless Steel - Standard Duty</i>	Material: 304 Stainless Steel
6.00 (0.236")	55.00 +/-0.75	6.00 - 6.15	PSP-060-055-C	<i>Pins - Coiled - Plain - Standard Duty</i>	Material: High Carbon Steel
6.00 (0.236")	60.00 +/-0.75	6.00 - 6.15	PSP-060-060-S2	<i>Pins - Coiled - Stainless Steel - Standard Duty</i>	Material: 304 Stainless Steel
6.00 (0.236")	60.00 +/-0.75	6.00 - 6.15	PSP-060-060-C	<i>Pins - Coiled - Plain - Standard Duty</i>	Material: High Carbon Steel
6.35 (0.250")	12.70 +/-0.50	6.35 - 6.50	PSP-064-013-C	<i>Pins - Coiled - Plain - Standard Duty</i>	Material: High Carbon Steel
6.35 (0.250")	14.27 +/-0.50	6.35 - 6.50	PSP-064-014-C	<i>Pins - Coiled - Plain - Standard Duty</i>	Material: High Carbon Steel
6.35 (0.250")	15.88 +/-0.50	6.35 - 6.50	PSP-064-016-C	<i>Pins - Coiled - Plain - Standard Duty</i>	Material: High Carbon Steel
6.35 (0.250")	19.05 +/-0.50	6.35 - 6.50	PSP-064-019H-S2	<i>Pins - Coiled - Stainless Steel - Heavy Duty</i>	Material: 304 Stainless Steel
6.35 (0.250")	19.05 +/-0.50	6.35 - 6.50	PSP-064-019H-C	<i>Pins - Coiled - Plain - Heavy Duty</i>	Material: High Carbon Steel
6.35 (0.250")	19.05 +/-0.50	6.35 - 6.50	PSP-064-019-C	<i>Pins - Coiled - Plain - Standard Duty</i>	Material: High Carbon Steel
6.35 (0.250")	22.23 +/-0.50	6.35 - 6.50	PSP-064-022H-C	<i>Pins - Coiled - Plain - Heavy Duty</i>	Material: High Carbon Steel
6.35 (0.250")	22.23 +/-0.50	6.35 - 6.50	PSP-064-022-C	<i>Pins - Coiled - Plain - Standard Duty</i>	Material: High Carbon Steel
6.35 (0.250")	25.40 +/-0.50	6.35 - 6.50	PSP-064-025H-C	<i>Pins - Coiled - Plain - Heavy Duty</i>	Material: High Carbon Steel
6.35 (0.250")	25.40 +/-0.50	6.35 - 6.50	PSP-064-025-S2	<i>Pins - Coiled - Stainless Steel - Standard Duty</i>	Material: 304 Stainless Steel
6.35 (0.250")	25.40 +/-0.50	6.35 - 6.50	PSP-064-025-C	<i>Pins - Coiled - Plain - Standard Duty</i>	Material: High Carbon Steel
6.35 (0.250")	28.58 +/-0.50	6.35 - 6.50	PSP-064-029H-C	<i>Pins - Coiled - Plain - Heavy Duty</i>	Material: High Carbon Steel
6.35 (0.250")	28.58 +/-0.50	6.35 - 6.50	PSP-064-029-C	<i>Pins - Coiled - Plain - Standard Duty</i>	Material: High Carbon Steel
6.35 (0.250")	31.75 +/-0.50	6.35 - 6.50	PSP-064-032H-C	<i>Pins - Coiled - Plain - Heavy Duty</i>	Material: High Carbon Steel
6.35 (0.250")	31.75 +/-0.50	6.35 - 6.50	PSP-064-032-S2	<i>Pins - Coiled - Stainless Steel - Standard Duty</i>	Material: 304 Stainless Steel
6.35 (0.250")	34.93 +/-0.50	6.35 - 6.50	PSP-064-035H-C	<i>Pins - Coiled - Plain - Heavy Duty</i>	Material: High Carbon Steel
6.35 (0.250")	38.10 +/-0.50	6.35 - 6.50	PSP-064-038H-C	<i>Pins - Coiled - Plain - Heavy Duty</i>	Material: High Carbon Steel
6.35 (0.250")	38.10 +/-0.50	6.35 - 6.50	PSP-064-038-S2	<i>Pins - Coiled - Stainless Steel - Standard Duty</i>	Material: 304 Stainless Steel

Stocked or Short Delivery
  Usually Available Short Delivery
  Long delivery or not in current production

\* Large Minimum Quantities

\*\* Available only while stock lasts



# Coiled Pins

Nom. Hole Diameter mm (inches)	Length mm	Drill Size mm	Part Number		
6.35 (0.250")	38.10 +/-0.50	6.35 - 6.50	PSP-064-038-C	Pins - Coiled - Plain - Standard Duty	Material: High Carbon Steel
6.35 (0.250")	41.28 +/-0.50	6.35 - 6.50	PSP-064-041H-C	Pins - Coiled - Plain - Heavy Duty	Material: High Carbon Steel
6.35 (0.250")	41.28 +/-0.50	6.35 - 6.50	PSP-064-041-C	Pins - Coiled - Plain - Standard Duty	Material: High Carbon Steel
6.35 (0.250")	44.45 +/-0.50	6.35 - 6.50	PSP-064-044H-C	Pins - Coiled - Plain - Heavy Duty	Material: High Carbon Steel
6.35 (0.250")	44.45 +/-0.50	6.35 - 6.50	PSP-064-044-C	Pins - Coiled - Plain - Standard Duty	Material: High Carbon Steel
6.35 (0.250")	50.80 +/-0.50	6.35 - 6.50	PSP-064-051H-C	Pins - Coiled - Plain - Heavy Duty	Material: High Carbon Steel
6.35 (0.250")	50.80 +/-0.50	6.35 - 6.50	PSP-064-051-C	Pins - Coiled - Plain - Standard Duty	Material: High Carbon Steel
6.35 (0.250")	57.15 +/-0.75	6.35 - 6.50	PSP-064-057H-S2	Pins - Coiled - Stainless Steel - Heavy Duty	Material: 304 Stainless Steel
6.35 (0.250")	57.15 +/-0.75	6.35 - 6.50	PSP-064-057H-C	Pins - Coiled - Plain - Heavy Duty	Material: High Carbon Steel
6.35 (0.250")	57.15 +/-0.75	6.35 - 6.50	PSP-064-057-C	Pins - Coiled - Plain - Standard Duty	Material: High Carbon Steel
6.35 (0.250")	63.50 +/-0.75	6.35 - 6.50	PSP-064-064H-C	Pins - Coiled - Plain - Heavy Duty	Material: High Carbon Steel
6.35 (0.250")	63.50 +/-0.75	6.35 - 6.50	PSP-064-064-C	Pins - Coiled - Plain - Standard Duty	Material: High Carbon Steel
6.35 (0.250")	76.20 +/-0.75	6.35 - 6.50	PSP-064-076H-C	Pins - Coiled - Plain - Heavy Duty	Material: High Carbon Steel
6.35 (0.250")	76.20 +/-0.75	6.35 - 6.50	PSP-064-076-C	Pins - Coiled - Plain - Standard Duty	Material: High Carbon Steel
6.35 (0.250")	88.90 +/-0.75	6.35 - 6.50	PSP-064-089-C	Pins - Coiled - Plain - Standard Duty	Material: High Carbon Steel
7.94 (0.313")	22.23 +/-0.50	7.94 - 8.10	PSP-079-022-C	Pins - Coiled - Plain - Standard Duty	Material: High Carbon Steel
7.94 (0.313")	25.40 +/-0.50	7.94 - 8.10	PSP-079-025-C	Pins - Coiled - Plain - Standard Duty	Material: High Carbon Steel
7.94 (0.313")	31.75 +/-0.50	7.94 - 8.10	PSP-079-032H-C	Pins - Coiled - Plain - Heavy Duty	Material: High Carbon Steel
7.94 (0.313")	31.75 +/-0.50	7.94 - 8.10	PSP-079-032-C	Pins - Coiled - Plain - Standard Duty	Material: High Carbon Steel
7.94 (0.313")	34.93 +/-0.50	7.94 - 8.10	PSP-079-035-C	Pins - Coiled - Plain - Standard Duty	Material: High Carbon Steel
7.94 (0.313")	38.10 +/-0.50	7.94 - 8.10	PSP-079-038H-C	Pins - Coiled - Plain - Heavy Duty	Material: High Carbon Steel
7.94 (0.313")	38.10 +/-0.50	7.94 - 8.10	PSP-079-038-C	Pins - Coiled - Plain - Standard Duty	Material: High Carbon Steel
7.94 (0.313")	41.28 +/-0.50	7.94 - 8.10	PSP-079-041-C	Pins - Coiled - Plain - Standard Duty	Material: High Carbon Steel
7.94 (0.313")	44.45 +/-0.50	7.94 - 8.10	PSP-079-044H-C	Pins - Coiled - Plain - Heavy Duty	Material: High Carbon Steel
7.94 (0.313")	44.45 +/-0.50	7.94 - 8.10	PSP-079-044-C	Pins - Coiled - Plain - Standard Duty	Material: High Carbon Steel
7.94 (0.313")	50.80 +/-0.50	7.94 - 8.10	PSP-079-051H-C	Pins - Coiled - Plain - Heavy Duty	Material: High Carbon Steel
7.94 (0.313")	50.80 +/-0.50	7.94 - 8.10	PSP-079-051-S2	Pins - Coiled - Stainless Steel - Standard Duty	Material: 304 Stainless Steel
7.94 (0.313")	50.80 +/-0.50	7.94 - 8.10	PSP-079-051-C	Pins - Coiled - Plain - Standard Duty	Material: High Carbon Steel
7.94 (0.313")	57.15 +/-0.75	7.94 - 8.10	PSP-079-057H-C	Pins - Coiled - Plain - Heavy Duty	Material: High Carbon Steel
7.94 (0.313")	57.15 +/-0.75	7.94 - 8.10	PSP-079-057-C	Pins - Coiled - Plain - Standard Duty	Material: High Carbon Steel
7.94 (0.313")	63.50 +/-0.75	7.94 - 8.10	PSP-079-064H-C	Pins - Coiled - Plain - Heavy Duty	Material: High Carbon Steel

Stocked or Short Delivery    
  Usually Available Short Delivery    
  Long delivery or not in current production

\* Large Minimum Quantities

\*\* Available only while stock lasts

# Coiled Pins

Nom. Hole Diameter mm (inches)	Length mm	Drill Size mm	Part Number		
7.94 (0.313")	63.50 +/-0.75	7.94 - 8.10	PSP-079-064-C	Pins - Coiled - Plain - Standard Duty	Material: High Carbon Steel
7.94 (0.313")	69.85 +/-0.75	7.94 - 8.10	PSP-079-070-C	Pins - Coiled - Plain - Standard Duty	Material: High Carbon Steel
7.94 (0.313")	76.20 +/-0.75	7.94 - 8.10	PSP-079-076H-C	Pins - Coiled - Plain - Heavy Duty	Material: High Carbon Steel
7.94 (0.313")	76.20 +/-0.75	7.94 - 8.10	PSP-079-076-C	Pins - Coiled - Plain - Standard Duty	Material: High Carbon Steel
7.94 (0.313")	101.60 +/-0.75	7.94 - 8.10	* PSP-079-102-C	Pins - Coiled - Plain - Standard Duty	Material: High Carbon Steel
8.00 (0.315")	16.00 +/-0.50	8.00 - 8.15	PSP-080-016-C	Pins - Coiled - Plain - Standard Duty	Material: High Carbon Steel
8.00 (0.315")	20.00 +/-0.50	8.00 - 8.15	PSP-080-020-S2	Pins - Coiled - Stainless Steel - Standard Duty	Material: 304 Stainless Steel
8.00 (0.315")	20.00 +/-0.50	8.00 - 8.15	* PSP-080-020-S420	Pins - Coiled - Stainless Steel - Standard Duty	Material: 420 Stainless
8.00 (0.315")	20.00 +/-0.50	8.00 - 8.15	PSP-080-020-C	Pins - Coiled - Plain - Standard Duty	Material: High Carbon Steel
8.00 (0.315")	22.00 +/-0.50	8.00 - 8.15	PSP-080-022H-C	Pins - Coiled - Plain - Heavy Duty	Material: High Carbon Steel
8.00 (0.315")	22.00 +/-0.50	8.00 - 8.15	PSP-080-022-S2	Pins - Coiled - Stainless Steel - Standard Duty	Material: 304 Stainless Steel
8.00 (0.315")	22.00 +/-0.50	8.00 - 8.15	PSP-080-022-C	Pins - Coiled - Plain - Standard Duty	Material: High Carbon Steel
8.00 (0.315")	24.00 +/-0.50	8.00 - 8.15	PSP-080-024-S2	Pins - Coiled - Stainless Steel - Standard Duty	Material: 304 Stainless Steel
8.00 (0.315")	24.00 +/-0.50	8.00 - 8.15	PSP-080-024-C	Pins - Coiled - Plain - Standard Duty	Material: High Carbon Steel
8.00 (0.315")	26.00 +/-0.50	8.00 - 8.15	PSP-080-026H-C	Pins - Coiled - Plain - Heavy Duty	Material: High Carbon Steel
8.00 (0.315")	26.00 +/-0.50	8.00 - 8.15	PSP-080-026-S2	Pins - Coiled - Stainless Steel - Standard Duty	Material: 304 Stainless Steel
8.00 (0.315")	26.00 +/-0.50	8.00 - 8.15	PSP-080-026-C	Pins - Coiled - Plain - Standard Duty	Material: High Carbon Steel
8.00 (0.315")	28.00 +/-0.50	8.00 - 8.15	PSP-080-028-S2	Pins - Coiled - Stainless Steel - Standard Duty	Material: 304 Stainless Steel
8.00 (0.315")	28.00 +/-0.50	8.00 - 8.15	PSP-080-028-C	Pins - Coiled - Plain - Standard Duty	Material: High Carbon Steel
8.00 (0.315")	30.00 +/-0.50	8.00 - 8.15	PSP-080-030H-C	Pins - Coiled - Plain - Heavy Duty	Material: High Carbon Steel
8.00 (0.315")	30.00 +/-0.50	8.00 - 8.15	PSP-080-030-S2	Pins - Coiled - Stainless Steel - Standard Duty	Material: 304 Stainless Steel
8.00 (0.315")	30.00 +/-0.50	8.00 - 8.15	PSP-080-030-C	Pins - Coiled - Plain - Standard Duty	Material: High Carbon Steel
8.00 (0.315")	35.00 +/-0.50	8.00 - 8.15	PSP-080-035-S2	Pins - Coiled - Stainless Steel - Standard Duty	Material: 304 Stainless Steel
8.00 (0.315")	35.00 +/-0.50	8.00 - 8.15	PSP-080-035-C	Pins - Coiled - Plain - Standard Duty	Material: High Carbon Steel
8.00 (0.315")	40.00 +/-0.50	8.00 - 8.15	** PSP-080-040-S2	Pins - Coiled - Stainless Steel - Standard Duty	Material: 304 Stainless Steel
8.00 (0.315")	40.00 +/-0.50	8.00 - 8.15	PSP-080-040-C	Pins - Coiled - Plain - Standard Duty	Material: High Carbon Steel
8.00 (0.315")	45.00 +/-0.50	8.00 - 8.15	PSP-080-045-S2	Pins - Coiled - Stainless Steel - Standard Duty	Material: 304 Stainless Steel
8.00 (0.315")	45.00 +/-0.50	8.00 - 8.15	PSP-080-045-C	Pins - Coiled - Plain - Standard Duty	Material: High Carbon Steel
8.00 (0.315")	50.00 +/-0.50	8.00 - 8.15	PSP-080-050H-C	Pins - Coiled - Plain - Heavy Duty	Material: High Carbon Steel
8.00 (0.315")	50.00 +/-0.50	8.00 - 8.15	PSP-080-050-S2	Pins - Coiled - Stainless Steel - Standard Duty	Material: 304 Stainless Steel
8.00 (0.315")	50.00 +/-0.50	8.00 - 8.15	PSP-080-050-C	Pins - Coiled - Plain - Standard Duty	Material: High Carbon Steel



Stocked or Short Delivery



Usually Available Short Delivery



Long delivery or not in current production

\* Large Minimum Quantities

\*\* Available only while stock lasts

# Coiled Pins

Nom. Hole Diameter mm (inches)	Length mm	Drill Size mm	Part Number		
8.00 (0.315")	55.00 +/-0.75	8.00 - 8.15	PSP-080-055-C	Pins - Coiled - Plain - Standard Duty	Material: High Carbon Steel
8.00 (0.315")	60.00 +/-0.75	8.00 - 8.15	PSP-080-060-S2	Pins - Coiled - Stainless Steel - Standard Duty	Material: 304 Stainless Steel
8.00 (0.315")	60.00 +/-0.75	8.00 - 8.15	PSP-080-060-C	Pins - Coiled - Plain - Standard Duty	Material: High Carbon Steel
8.00 (0.315")	65.00 +/-0.75	8.00 - 8.15	PSP-080-065-S2	Pins - Coiled - Stainless Steel - Standard Duty	Material: 304 Stainless Steel
8.00 (0.315")	65.00 +/-0.75	8.00 - 8.15	PSP-080-065-C	Pins - Coiled - Plain - Standard Duty	Material: High Carbon Steel
8.00 (0.315")	70.00 +/-0.75	8.00 - 8.15	PSP-080-070-S2	Pins - Coiled - Stainless Steel - Standard Duty	Material: 304 Stainless Steel
8.00 (0.315")	70.00 +/-0.75	8.00 - 8.15	PSP-080-070-C	Pins - Coiled - Plain - Standard Duty	Material: High Carbon Steel
8.00 (0.315")	75.00 +/-0.75	8.00 - 8.15	PSP-080-075-S2	Pins - Coiled - Stainless Steel - Standard Duty	Material: 304 Stainless Steel
8.00 (0.315")	75.00 +/-0.75	8.00 - 8.15	PSP-080-075-C	Pins - Coiled - Plain - Standard Duty	Material: High Carbon Steel
9.53 (0.375")	19.05 +/-0.50	9.53 - 9.73	PSP-095-019-C	Pins - Coiled - Plain - Standard Duty	Material: High Carbon Steel
9.53 (0.375")	25.40 +/-0.50	9.53 - 9.73	PSP-095-025-S2	Pins - Coiled - Stainless Steel - Standard Duty	Material: 304 Stainless Steel
9.53 (0.375")	25.40 +/-0.50	9.53 - 9.73	PSP-095-025-C	Pins - Coiled - Plain - Standard Duty	Material: High Carbon Steel
9.53 (0.375")	31.75 +/-0.50	9.53 - 9.73	PSP-095-032-C	Pins - Coiled - Plain - Standard Duty	Material: High Carbon Steel
9.53 (0.375")	38.10 +/-0.50	9.53 - 9.73	PSP-095-038H-C	Pins - Coiled - Plain - Heavy Duty	Material: High Carbon Steel
9.53 (0.375")	38.10 +/-0.50	9.53 - 9.73	PSP-095-038-C	Pins - Coiled - Plain - Standard Duty	Material: High Carbon Steel
9.53 (0.375")	44.45 +/-0.50	9.53 - 9.73	PSP-095-044H-C	Pins - Coiled - Plain - Heavy Duty	Material: High Carbon Steel
9.53 (0.375")	44.45 +/-0.50	9.53 - 9.73	PSP-095-044-C	Pins - Coiled - Plain - Standard Duty	Material: High Carbon Steel
9.53 (0.375")	50.80 +/-0.50	9.53 - 9.73	PSP-095-051H-C	Pins - Coiled - Plain - Heavy Duty	Material: High Carbon Steel
9.53 (0.375")	50.80 +/-0.50	9.53 - 9.73	PSP-095-051-C	Pins - Coiled - Plain - Standard Duty	Material: High Carbon Steel
9.53 (0.375")	57.15 +/-0.75	9.53 - 9.73	PSP-095-057H-C	Pins - Coiled - Plain - Heavy Duty	Material: High Carbon Steel
9.53 (0.375")	57.15 +/-0.75	9.53 - 9.73	PSP-095-057-C	Pins - Coiled - Plain - Standard Duty	Material: High Carbon Steel
9.53 (0.375")	63.50 +/-0.75	9.53 - 9.73	PSP-095-064H-C	Pins - Coiled - Plain - Heavy Duty	Material: High Carbon Steel
9.53 (0.375")	63.50 +/-0.75	9.53 - 9.73	PSP-095-064-C	Pins - Coiled - Plain - Standard Duty	Material: High Carbon Steel
9.53 (0.375")	69.85 +/-0.75	9.53 - 9.73	PSP-095-070H-C	Pins - Coiled - Plain - Heavy Duty	Material: High Carbon Steel
9.53 (0.375")	69.85 +/-0.75	9.53 - 9.73	PSP-095-070-C	Pins - Coiled - Plain - Standard Duty	Material: High Carbon Steel
9.53 (0.375")	76.20 +/-0.75	9.53 - 9.73	PSP-095-076H-C	Pins - Coiled - Plain - Heavy Duty	Material: High Carbon Steel
9.53 (0.375")	76.20 +/-0.75	9.53 - 9.73	PSP-095-076-C	Pins - Coiled - Plain - Standard Duty	Material: High Carbon Steel
9.53 (0.375")	101.60 +/-0.75	9.53 - 9.73	PSP-095-102-C	Pins - Coiled - Plain - Standard Duty	Material: High Carbon Steel
10.00 (0.394")	24.00 +/-0.50	10.00 - 10.15	PSP-100-024-C	Pins - Coiled - Plain - Standard Duty	Material: High Carbon Steel
10.00 (0.394")	26.00 +/-0.50	10.00 - 10.15	PSP-100-026H-S2	Pins - Coiled - Stainless Steel - Heavy Duty	Material: 304 Stainless Steel
10.00 (0.394")	26.00 +/-0.50	10.00 - 10.15	PSP-100-026-S2	Pins - Coiled - Stainless Steel - Standard Duty	Material: 304 Stainless Steel



Stocked or Short Delivery



Usually Available Short Delivery



Long delivery or not in current production

\* Large Minimum Quantities

\*\* Available only while stock lasts

# Coiled Pins

Nom. Hole Diameter mm (inches)	Length mm	Drill Size mm	Part Number		
10.00 (0.394")	26.00 +/-0.50	10.00 - 10.15	* PSP-100-026-S420	<i>Pins - Coiled - Stainless Steel - Standard Duty</i>	Material: 420 Stainless
10.00 (0.394")	26.00 +/-0.50	10.00 - 10.15	* PSP-100-030-S420	<i>Pins - Coiled - Stainless Steel - Standard Duty</i>	Material: 420 Stainless
10.00 (0.394")	26.00 +/-0.50	10.00 - 10.15	PSP-100-026-C	<i>Pins - Coiled - Plain - Standard Duty</i>	Material: High Carbon Steel
10.00 (0.394")	28.00 +/-0.50	10.00 - 10.15	PSP-100-028-S2	<i>Pins - Coiled - Stainless Steel - Standard Duty</i>	Material: 304 Stainless Steel
10.00 (0.394")	28.00 +/-0.50	10.00 - 10.15	PSP-100-028-C	<i>Pins - Coiled - Plain - Standard Duty</i>	Material: High Carbon Steel
10.00 (0.394")	30.00 +/-0.50	10.00 - 10.15	PSP-100-030-S2	<i>Pins - Coiled - Stainless Steel - Standard Duty</i>	Material: 304 Stainless Steel
10.00 (0.394")	30.00 +/-0.50	10.00 - 10.15	PSP-100-030-C	<i>Pins - Coiled - Plain - Standard Duty</i>	Material: High Carbon Steel
10.00 (0.394")	35.00 +/-0.50	10.00 - 10.15	PSP-100-035H-S2	<i>Pins - Coiled - Stainless Steel - Heavy Duty</i>	Material: 304 Stainless Steel
10.00 (0.394")	35.00 +/-0.50	10.00 - 10.15	PSP-100-035-C	<i>Pins - Coiled - Plain - Standard Duty</i>	Material: High Carbon Steel
10.00 (0.394")	40.00 +/-0.50	10.00 - 10.15	PSP-100-040H-C	<i>Pins - Coiled - Plain - Heavy Duty</i>	Material: 304 Stainless Steel
10.00 (0.394")	40.00 +/-0.50	10.00 - 10.15	PSP-100-040-S2	<i>Pins - Coiled - Stainless Steel - Standard Duty</i>	Material: 304 Stainless Steel
10.00 (0.394")	40.00 +/-0.50	10.00 - 10.15	PSP-100-040-C	<i>Pins - Coiled - Plain - Standard Duty</i>	Material: High Carbon Steel
10.00 (0.394")	45.00 +/-0.50	10.00 - 10.15	PSP-100-045-S2	<i>Pins - Coiled - Stainless Steel - Standard Duty</i>	Material: 304 Stainless Steel
10.00 (0.394")	45.00 +/-0.50	10.00 - 10.15	PSP-100-045-C	<i>Pins - Coiled - Plain - Standard Duty</i>	Material: High Carbon Steel
10.00 (0.394")	50.00 +/-0.50	10.00 - 10.15	PSP-100-050H-C	<i>Pins - Coiled - Plain - Heavy Duty</i>	Material: High Carbon Steel
10.00 (0.394")	50.00 +/-0.50	10.00 - 10.15	PSP-100-050-S2	<i>Pins - Coiled - Stainless Steel - Standard Duty</i>	Material: 304 Stainless Steel
10.00 (0.394")	50.00 +/-0.50	10.00 - 10.15	PSP-100-050-C	<i>Pins - Coiled - Plain - Standard Duty</i>	Material: High Carbon Steel
10.00 (0.394")	55.00 +/-0.75	10.00 - 10.15	PSP-100-055-S2	<i>Pins - Coiled - Stainless Steel - Standard Duty</i>	Material: 304 Stainless Steel
10.00 (0.394")	55.00 +/-0.75	10.00 - 10.15	PSP-100-055-C	<i>Pins - Coiled - Plain - Standard Duty</i>	Material: High Carbon Steel
10.00 (0.394")	60.00 +/-0.75	10.00 - 10.15	PSP-100-060-S2	<i>Pins - Coiled - Stainless Steel - Standard Duty</i>	Material: 304 Stainless Steel
10.00 (0.394")	60.00 +/-0.75	10.00 - 10.15	PSP-100-060-C	<i>Pins - Coiled - Plain - Standard Duty</i>	Material: High Carbon Steel
10.00 (0.394")	65.00 +/-0.75	10.00 - 10.15	PSP-100-065-S2	<i>Pins - Coiled - Stainless Steel - Standard Duty</i>	Material: 304 Stainless Steel
10.00 (0.394")	65.00 +/-0.75	10.00 - 10.15	PSP-100-065-C	<i>Pins - Coiled - Plain - Standard Duty</i>	Material: High Carbon Steel
10.00 (0.394")	70.00 +/-0.75	10.00 - 10.15	PSP-100-070-S2	<i>Pins - Coiled - Stainless Steel - Standard Duty</i>	Material: 304 Stainless Steel
10.00 (0.394")	70.00 +/-0.75	10.00 - 10.15	PSP-100-070-C	<i>Pins - Coiled - Plain - Standard Duty</i>	Material: High Carbon Steel
10.00 (0.394")	75.00 +/-0.75	10.00 - 10.15	PSP-100-075-S2	<i>Pins - Coiled - Stainless Steel - Standard Duty</i>	Material: 304 Stainless Steel
10.00 (0.394")	75.00 +/-0.75	10.00 - 10.15	PSP-100-075-C	<i>Pins - Coiled - Plain - Standard Duty</i>	Material: High Carbon Steel
10.00 (0.394")	80.00 +/-0.75	10.00 - 10.15	PSP-100-080-S2	<i>Pins - Coiled - Stainless Steel - Standard Duty</i>	Material: 304 Stainless Steel
10.00 (0.394")	80.00 +/-0.75	10.00 - 10.15	PSP-100-080-C	<i>Pins - Coiled - Plain - Standard Duty</i>	Material: High Carbon Steel
10.00 (0.394")	85.00 +/-0.75	10.00 - 10.15	PSP-100-085-S2	<i>Pins - Coiled - Stainless Steel - Standard Duty</i>	Material: 304 Stainless Steel
10.00 (0.394")	85.00 +/-0.75	10.00 - 10.15	PSP-100-085-C	<i>Pins - Coiled - Plain - Standard Duty</i>	Material: High Carbon Steel



Stocked or Short Delivery



Usually Available Short Delivery



Long delivery or not in current production

\* Large Minimum Quantities

\*\* Available only while stock lasts

# Coiled Pins

Nom. Hole Diameter mm (inches)	Length mm	Drill Size mm	Part Number		
11.11 (0.437")	50.80 +/-0.50	11.11 - 11.33	PSP-111-051H-C	Pins - Coiled - Plain - Heavy Duty	Material: High Carbon Steel
11.11 (0.437")	50.80 +/-0.50	11.11 - 11.33	PSP-111-051-C	Pins - Coiled - Plain - Standard Duty	Material: High Carbon Steel
11.11 (0.437")	63.50 +/-0.75	11.11 - 11.33	PSP-111-064H-C	Pins - Coiled - Plain - Heavy Duty	Material: High Carbon Steel
11.11 (0.437")	69.85 +/-0.75	11.11 - 11.33	PSP-111-070H-C	Pins - Coiled - Plain - Heavy Duty	Material: High Carbon Steel
12.00 (0.472")	28.00 +/-0.50	12.00 - 12.18	PSP-120-028-C	Pins - Coiled - Plain - Standard Duty	Material: High Carbon Steel
12.00 (0.472")	30.00 +/-0.50	12.00 - 12.18	** PSP-120-030-S2	Pins - Coiled - Stainless Steel - Standard Duty	Material: 304 Stainless Steel
12.00 (0.472")	30.00 +/-0.50	12.00 - 12.18	* PSP-120-030-C	Pins - Coiled - Plain - Standard Duty	Material: High Carbon Steel
12.00 (0.472")	35.00 +/-0.50	12.00 - 12.18	PSP-120-035-S2	Pins - Coiled - Stainless Steel - Standard Duty	Material: 304 Stainless Steel
12.00 (0.472")	35.00 +/-0.50	12.00 - 12.18	PSP-120-035-S420	Pins - Coiled - Stainless Steel - Standard Duty	Material: 420 Stainless
12.00 (0.472")	35.00 +/-0.50	12.00 - 12.18	PSP-120-035-C	Pins - Coiled - Plain - Standard Duty	Material: High Carbon Steel
12.00 (0.472")	40.00 +/-0.50	12.00 - 12.18	PSP-120-040-S2	Pins - Coiled - Stainless Steel - Standard Duty	Material: 304 Stainless Steel
12.00 (0.472")	40.00 +/-0.50	12.00 - 12.18	PSP-120-040-C	Pins - Coiled - Plain - Standard Duty	Material: High Carbon Steel
12.00 (0.472")	45.00 +/-0.50	12.00 - 12.18	PSP-120-045-S2	Pins - Coiled - Stainless Steel - Standard Duty	Material: 304 Stainless Steel
12.00 (0.472")	45.00 +/-0.50	12.00 - 12.18	PSP-120-045-C	Pins - Coiled - Plain - Standard Duty	Material: High Carbon Steel
12.00 (0.472")	50.00 +/-0.50	12.00 - 12.18	PSP-120-050-S2	Pins - Coiled - Stainless Steel - Standard Duty	Material: 304 Stainless Steel
12.00 (0.472")	50.00 +/-0.50	12.00 - 12.18	PSP-120-050-C	Pins - Coiled - Plain - Standard Duty	Material: High Carbon Steel
12.00 (0.472")	55.00 +/-0.75	12.00 - 12.18	PSP-120-055-S2	Pins - Coiled - Stainless Steel - Standard Duty	Material: 304 Stainless Steel
12.00 (0.472")	55.00 +/-0.75	12.00 - 12.18	PSP-120-055-C	Pins - Coiled - Plain - Standard Duty	Material: High Carbon Steel
12.00 (0.472")	60.00 +/-0.75	12.00 - 12.18	PSP-120-060-S2	Pins - Coiled - Stainless Steel - Standard Duty	Material: 304 Stainless Steel
12.00 (0.472")	60.00 +/-0.75	12.00 - 12.18	PSP-120-060-C	Pins - Coiled - Plain - Standard Duty	Material: High Carbon Steel
12.00 (0.472")	65.00 +/-0.75	12.00 - 12.18	PSP-120-065-S2	Pins - Coiled - Stainless Steel - Standard Duty	Material: 304 Stainless Steel
12.00 (0.472")	65.00 +/-0.75	12.00 - 12.18	PSP-120-065-C	Pins - Coiled - Plain - Standard Duty	Material: High Carbon Steel
12.00 (0.472")	70.00 +/-0.75	12.00 - 12.18	PSP-120-070-S2	Pins - Coiled - Stainless Steel - Standard Duty	Material: 304 Stainless Steel
12.00 (0.472")	70.00 +/-0.75	12.00 - 12.18	PSP-120-070-C	Pins - Coiled - Plain - Standard Duty	Material: High Carbon Steel
12.00 (0.472")	75.00 +/-0.75	12.00 - 12.18	PSP-120-075-S2	Pins - Coiled - Stainless Steel - Standard Duty	Material: 304 Stainless Steel
12.00 (0.472")	75.00 +/-0.75	12.00 - 12.18	PSP-120-075-C	Pins - Coiled - Plain - Standard Duty	Material: High Carbon Steel
12.00 (0.472")	80.00 +/-0.75	12.00 - 12.18	PSP-120-080-S2	Pins - Coiled - Stainless Steel - Standard Duty	Material: 304 Stainless Steel
12.00 (0.472")	80.00 +/-0.75	12.00 - 12.18	PSP-120-080-C	Pins - Coiled - Plain - Standard Duty	Material: High Carbon Steel
12.00 (0.472")	85.00 +/-0.75	12.00 - 12.18	PSP-120-085-S2	Pins - Coiled - Stainless Steel - Standard Duty	Material: 304 Stainless Steel
12.00 (0.472")	85.00 +/-0.75	12.00 - 12.18	PSP-120-085-C	Pins - Coiled - Plain - Standard Duty	Material: High Carbon Steel
12.00 (0.472")	90.00 +/-0.75	12.00 - 12.18	PSP-120-090-S2	Pins - Coiled - Stainless Steel - Standard Duty	Material: 304 Stainless Steel



Stocked or Short Delivery



Usually Available Short Delivery



Long delivery or not in current production

\* Large Minimum Quantities

\*\* Available only while stock lasts

# Coiled Pins

Nom. Hole Diameter mm (inches)	Length mm	Drill Size mm	Part Number		
12.00 (0.472")	90.00 +/-0.75	12.00 - 12.18	PSP-120-090-C	Pins - Coiled - Plain - Standard Duty	Material: High Carbon Steel
12.00 (0.472")	95.00 +/-0.75	12.00 - 12.18	PSP-120-095-S2	Pins - Coiled - Stainless Steel - Standard Duty	Material: 304 Stainless Steel
12.00 (0.472")	95.00 +/-0.75	12.00 - 12.18	PSP-120-095-C	Pins - Coiled - Plain - Standard Duty	Material: High Carbon Steel
12.00 (0.472")	100.00 +/-0.75	12.00 - 12.18	* PSP-120-100-S2	Pins - Coiled - Stainless Steel - Standard Duty	Material: 304 Stainless Steel
12.00 (0.472")	100.00 +/-0.75	12.00 - 12.18	PSP-120-100-C	Pins - Coiled - Plain - Standard Duty	Material: High Carbon Steel
12.70 (0.500")	31.75 +/-0.50	12.70 - 12.95	PSP-127-032-C	Pins - Coiled - Plain - Standard Duty	Material: High Carbon Steel
12.70 (0.500")	38.10 +/-0.50	12.70 - 12.95	PSP-127-038H-C	Pins - Coiled - Plain - Heavy Duty	Material: High Carbon Steel
12.70 (0.500")	38.10 +/-0.50	12.70 - 12.95	PSP-127-038-S2	Pins - Coiled - Stainless Steel - Standard Duty	Material: 304 Stainless Steel
12.70 (0.500")	38.10 +/-0.50	12.70 - 12.95	PSP-127-038-C	Pins - Coiled - Plain - Standard Duty	Material: High Carbon Steel
12.70 (0.500")	44.45 +/-0.50	12.70 - 12.95	PSP-127-044H-C	Pins - Coiled - Plain - Heavy Duty	Material: High Carbon Steel
12.70 (0.500")	44.45 +/-0.50	12.70 - 12.95	PSP-127-044-C	Pins - Coiled - Plain - Standard Duty	Material: High Carbon Steel
12.70 (0.500")	50.80 +/-0.50	12.70 - 12.95	PSP-127-051H-C	Pins - Coiled - Plain - Heavy Duty	Material: High Carbon Steel
12.70 (0.500")	50.80 +/-0.50	12.70 - 12.95	PSP-127-051-C	Pins - Coiled - Plain - Standard Duty	Material: High Carbon Steel
12.70 (0.500")	57.15 +/-0.75	12.70 - 12.95	PSP-127-057-C	Pins - Coiled - Plain - Standard Duty	Material: High Carbon Steel
12.70 (0.500")	63.50 +/-0.75	12.70 - 12.95	PSP-127-064H-C	Pins - Coiled - Plain - Heavy Duty	Material: High Carbon Steel
12.70 (0.500")	63.50 +/-0.75	12.70 - 12.95	PSP-127-064-C	Pins - Coiled - Plain - Standard Duty	Material: High Carbon Steel
12.70 (0.500")	69.85 +/-0.75	12.70 - 12.95	PSP-127-070-C	Pins - Coiled - Plain - Standard Duty	Material: High Carbon Steel
12.70 (0.500")	76.20 +/-0.75	12.70 - 12.95	PSP-127-076H-C	Pins - Coiled - Plain - Heavy Duty	Material: High Carbon Steel
12.70 (0.500")	76.20 +/-0.75	12.70 - 12.95	PSP-127-076-C	Pins - Coiled - Plain - Standard Duty	Material: High Carbon Steel
12.70 (0.500")	88.90 +/-0.75	12.70 - 12.95	PSP-127-089-C	Pins - Coiled - Plain - Standard Duty	Material: High Carbon Steel
12.70 (0.500")	101.60 +/-0.75	12.70 - 12.95	PSP-127-102-C	Pins - Coiled - Plain - Standard Duty	Material: High Carbon Steel
12.70 (0.500")	127.00 +/-0.75	12.70 - 12.95	PSP-127-127-C	Pins - Coiled - Plain - Standard Duty	Material: High Carbon Steel
15.88 (0.625")	50.80 +/-0.50	15.88 - 16.13	PSP-159-051-C	Pins - Coiled - Plain - Standard Duty	Material: High Carbon Steel
15.88 (0.625")	63.50 +/-0.75	15.88 - 16.13	PSP-159-064H-C	Pins - Coiled - Plain - Heavy Duty	Material: High Carbon Steel
15.88 (0.625")	76.20 +/-0.75	15.88 - 16.13	PSP-159-076-C	Pins - Coiled - Plain - Standard Duty	Material: High Carbon Steel
15.88 (0.625")	88.90 +/-0.75	15.88 - 16.13	PSP-159-089H-C	Pins - Coiled - Plain - Heavy Duty	Material: High Carbon Steel
15.88 (0.625")	101.60 +/-0.75	15.88 - 16.13	PSP-159-102H-C	Pins - Coiled - Plain - Heavy Duty	Material: High Carbon Steel
15.88 (0.625")	101.60 +/-0.75	15.88 - 16.13	PSP-159-102-C	Pins - Coiled - Plain - Standard Duty	Material: High Carbon Steel
15.88 (0.625")	127.00 +/-0.75	15.88 - 16.13	PSP-159-127H-C	Pins - Coiled - Plain - Heavy Duty	Material: High Carbon Steel
16.00 (0.630")	50.00 +/-0.75	16.00 - 16.18	PSP-160-050H-C	Pins - Coiled - Plain - Heavy Duty	Material: High Carbon Steel
16.00 (0.630")	80.00 +/-0.75	16.00 - 16.18	PSP-160-080-C	Pins - Coiled - Plain - Standard Duty	Material: High Carbon Steel



Stocked or Short Delivery



Usually Available Short Delivery



Long delivery or not in current production

\* Large Minimum Quantities

\*\* Available only while stock lasts

## Coiled Pins

Nom. Hole Diameter mm (inches)	Length mm	Drill Size mm	Part Number		
16.00 (0.630")	90.00 +/-0.75	16.00 - 16.18	PSP-160-090-C	Pins - Coiled - Plain - Standard Duty	Material: High Carbon Steel
16.00 (0.630")	100.00 +/-0.75	16.00 - 16.18	PSP-160-100-C	Pins - Coiled - Plain - Standard Duty	Material: High Carbon Steel
19.05 (0.750")	50.80 +/-0.50	19.05 - 19.30	PSP-191-051H-C	Pins - Coiled - Plain - Heavy Duty	Material: High Carbon Steel
19.05 (0.750")	50.80 +/-0.50	19.05 - 19.30	PSP-191-051-C	Pins - Coiled - Plain - Standard Duty	Material: High Carbon Steel
19.05 (0.750")	63.50 +/-0.75	19.05 - 19.30	PSP-191-064H-C	Pins - Coiled - Plain - Heavy Duty	Material: High Carbon Steel
19.05 (0.750")	69.85 +/-0.75	19.05 - 19.30	PSP-191-070H-C	Pins - Coiled - Plain - Heavy Duty	Material: High Carbon Steel
19.05 (0.750")	76.20 +/-0.75	19.05 - 19.30	PSP-191-076H-C	Pins - Coiled - Plain - Heavy Duty	Material: High Carbon Steel
19.05 (0.750")	82.55 +/-0.75	19.05 - 19.30	PSP-191-083H-C	Pins - Coiled - Plain - Heavy Duty	Material: High Carbon Steel
19.05 (0.750")	88.90 +/-0.75	19.05 - 19.30	PSP-191-089H-C	Pins - Coiled - Plain - Heavy Duty	Material: High Carbon Steel
19.05 (0.750")	95.25 +/-0.75	19.05 - 19.30	PSP-191-095H-C	Pins - Coiled - Plain - Heavy Duty	Material: High Carbon Steel
19.05 (0.750")	101.60 +/-0.75	19.05 - 19.30	PSP-191-102H-C	Pins - Coiled - Plain - Heavy Duty	Material: High Carbon Steel
19.05 (0.750")	127.00 +/-0.75	19.05 - 19.30	PSP-191-127H-C	Pins - Coiled - Plain - Heavy Duty	Material: High Carbon Steel
19.05 (0.750")	152.40 +/-0.75	19.05 - 19.30	PSP-191-152H-C	Pins - Coiled - Plain - Heavy Duty	Material: High Carbon Steel

## Roll Pins

Nominal Diameter (D) mm (inches)	Length (L) mm	Free Diameter mm	Part Number		
1.00 (0.039")	4.00	1.10	** RP010-0040-C	Pins - Roll - Carbon Steel	Material: Hardened Steel, Black Oxide Finish
1.00 (0.039")	5.00	1.10	* RP010-0050-C	Pins - Roll - Carbon Steel	Material: Hardened Steel, Black Oxide Finish
1.00 (0.039")	6.00	1.10	** RP010-0060-C	Pins - Roll - Carbon Steel	Material: Hardened Steel, Black Oxide Finish
1.00 (0.039")	8.00	1.10	** RP010-0080-C	Pins - Roll - Carbon Steel	Material: Hardened Steel, Black Oxide Finish
1.00 (0.039")	10.00	1.10	** RP010-0100-C	Pins - Roll - Carbon Steel	Material: Hardened Steel, Black Oxide Finish
1.50 (0.059")	4.00	1.65	* RP015-0040-C	Pins - Roll - Carbon Steel	Material: Carbon Steel CS70
1.50 (0.059")	4.00	1.65	RP015-0040-Z	Pins - Roll - Zinc Plated	Material: Zinc Plated Carbon Spring Steel
1.50 (0.059")	5.00	1.65	** RP015-0050-4	Pins - Roll - Stainless Steel - 300 Grade	Material: 304 Stainless
1.50 (0.059")	5.00	1.65	* RP015-0050-C	Pins - Roll - Carbon Steel	Material: Carbon Steel CS70
1.50 (0.059")	5.00	1.65	RP015-0050-Z	Pins - Roll - Zinc Plated	Material: Zinc Plated Carbon Spring Steel
1.50 (0.059")	6.00	1.65	** RP015-0060-4	Pins - Roll - Stainless Steel - 300 Grade	Material: 304 Stainless
1.50 (0.059")	6.00	1.65	RP015-0060-420	Pins - Roll - Stainless Steel - 420 Grade	Material: 420 Stainless Steel Rc 46-52
1.50 (0.059")	6.00	1.65	** RP015-0060-C	Pins - Roll - Carbon Steel	Material: Carbon Steel CS70
1.50 (0.059")	6.00	1.65	RP015-0060-Z	Pins - Roll - Zinc Plated	Material: Zinc Plated Carbon Spring Steel
1.50 (0.059")	8.00	1.65	** RP015-0080-C	Pins - Roll - Carbon Steel	Material: Carbon Steel CS70

Stocked or Short Delivery

Usually Available Short Delivery

Long delivery or not in current production

\* Large Minimum Quantities

\*\* Available only while stock lasts

Page 23 of 65

E&OE

# Roll Pins

Nominal Diameter (D) mm (inches)	Length (L) mm	Free Diameter mm	Part Number	
1.50 (0.059")	8.00	1.65	RP015-0080-Z	<i>Pins - Roll - Zinc Plated</i> Material: Zinc Plated Carbon Spring Steel
1.50 (0.059")	8.00	1.80	RP015-0080-4	<i>Pins - Roll - Stainless Steel - 300 Grade</i> Material: 304 Stainless
1.50 (0.059")	10.00	1.65	RP015-0100-4	<i>Pins - Roll - Stainless Steel - 300 Grade</i> Material: 304 Stainless
1.50 (0.059")	10.00	1.65	RP015-0100-420	<i>Pins - Roll - Stainless Steel - 420 Grade</i> Material: 420 Stainless Steel Rc 46-52
1.50 (0.059")	10.00	1.65	* RP015-0100-C	<i>Pins - Roll - Carbon Steel</i> Material: Carbon Steel CS70
1.50 (0.059")	10.00	1.65	RP015A-0100-A-C	<i>Pins - Roll - Carbon Steel</i> Material: Carbon Steel CS70
1.50 (0.059")	10.00	1.65	RP015-0100-Z	<i>Pins - Roll - Zinc Plated</i> Material: Zinc Plated Carbon Spring Steel
1.50 (0.059")	12.00	1.65	** RP015-0120-4	<i>Pins - Roll - Stainless Steel - 300 Grade</i> Material: 304 Stainless
1.50 (0.059")	12.00	1.65	RP015-0120-420	<i>Pins - Roll - Stainless Steel - 420 Grade</i> Material: 420 Stainless Steel Rc 46-52
1.50 (0.059")	12.00	1.65	RP015A-0120-A-C	<i>Pins - Roll - Carbon Steel</i> Material: Carbon Steel CS70
1.50 (0.059")	12.00	1.65	* RP015-0120-C	<i>Pins - Roll - Carbon Steel</i> Material: Carbon Steel CS70
1.50 (0.059")	12.00	1.65	RP015-0120-Z	<i>Pins - Roll - Zinc Plated</i> Material: Zinc Plated Carbon Spring Steel
1.50 (0.059")	14.00	1.65	RP015-0140-4	<i>Pins - Roll - Stainless Steel - 300 Grade</i> Material: 304 Stainless
1.50 (0.059")	14.00	1.65	** RP015-0140-C	<i>Pins - Roll - Carbon Steel</i> Material: Carbon Steel CS70
1.50 (0.059")	14.00	1.65	RP015-0140-Z	<i>Pins - Roll - Zinc Plated</i> Material: Zinc Plated Carbon Spring Steel
1.50 (0.059")	16.00	1.65	** RP015-0160-4	<i>Pins - Roll - Stainless Steel - 300 Grade</i> Material: 304 Stainless
1.50 (0.059")	16.00	1.65	RP015A-0160-A-C	<i>Pins - Roll - Carbon Steel</i> Material: Carbon Steel CS70
1.50 (0.059")	16.00	1.65	RP015-0160-C	<i>Pins - Roll - Carbon Steel</i> Material: Carbon Steel CS70
1.50 (0.059")	16.00	1.65	RP015-0160-Z	<i>Pins - Roll - Zinc Plated</i> Material: Zinc Plated Carbon Spring Steel
1.50 (0.059")	18.00	1.65	** RP015-0180-4	<i>Pins - Roll - Stainless Steel - 300 Grade</i> Material: 304 Stainless
1.50 (0.059")	18.00	1.65	* RP015-0180-C	<i>Pins - Roll - Carbon Steel</i> Material: Carbon Steel CS70
1.50 (0.059")	18.00	1.65	RP015-0180-Z	<i>Pins - Roll - Zinc Plated</i> Material: Zinc Plated Carbon Spring Steel
1.50 (0.059")	20.00	1.65	** RP015-0200-4	<i>Pins - Roll - Stainless Steel - 300 Grade</i> Material: 304 Stainless
1.50 (0.059")	20.00	1.65	RP015-0200-420	<i>Pins - Roll - Stainless Steel - 420 Grade</i> Material: 420 Stainless Steel Rc 46-52
1.50 (0.059")	20.00	1.65	* RP015-0200-C	<i>Pins - Roll - Carbon Steel</i> Material: Carbon Steel CS70
1.50 (0.059")	20.00	1.65	RP015-0200-Z	<i>Pins - Roll - Zinc Plated</i> Material: Zinc Plated Carbon Spring Steel
1.50 (0.059")	22.00	1.65	RP015-0220-Z	<i>Pins - Roll - Zinc Plated</i> Material: Zinc Plated Carbon Spring Steel
1.50 (0.059")	24.00	1.65	RP015-0240-Z	<i>Pins - Roll - Zinc Plated</i> Material: Zinc Plated Carbon Spring Steel
1.50 (0.059")	26.00	1.65	RP015-0260-Z	<i>Pins - Roll - Zinc Plated</i> Material: Zinc Plated Carbon Spring Steel
1.50 (0.059")	28.00	1.65	RP015-0280-Z	<i>Pins - Roll - Zinc Plated</i> Material: Zinc Plated Carbon Spring Steel
1.59 (0.063")	4.75	1.75	RP016-0047-C	<i>Pins - Roll - Carbon Steel</i> Material: Carbon Spring Steel



Stocked or Short Delivery



Usually Available Short Delivery



Long delivery or not in current production

\* Large Minimum Quantities

\*\* Available only while stock lasts



# Roll Pins

Nominal Diameter (D) mm (inches)	Length (L) mm	Free Diameter mm	Part Number	
1.59 (0.063")	4.80	1.75	RP016-0048-420	Pins - Roll - Stainless Steel - 420 Grade Material: 420 Stainless Steel Rc 46-52
1.59 (0.063")	4.80	1.75	* RP016-0048-C	Pins - Roll - Carbon Steel Material: Carbon Spring Steel
1.59 (0.063")	4.80	1.75	RP016-0048-Z	Pins - Roll - Zinc Plated Material: Zinc Plated Carbon Spring Steel
1.59 (0.063")	6.35	1.75	RP016-0064-C	Pins - Roll - Carbon Steel Material: Carbon Spring Steel
1.59 (0.063")	6.40	1.75	RP016-0064-420	Pins - Roll - Stainless Steel - 420 Grade Material: 420 Stainless Steel Rc 46-52
1.59 (0.063")	6.40	1.75	RP016-0064-Z	Pins - Roll - Zinc Plated Material: Zinc Plated Carbon Spring Steel
1.59 (0.063")	7.90	1.75	RP016-0079-420	Pins - Roll - Stainless Steel - 420 Grade Material: 420 Stainless Steel Rc 46-52
1.59 (0.063")	7.90	1.75	RP016-0079-Z	Pins - Roll - Zinc Plated Material: Zinc Plated Carbon Spring Steel
1.59 (0.063")	7.92	1.75	RP016-0079-C	Pins - Roll - Carbon Steel Material: Carbon Spring Steel
1.59 (0.063")	9.50	1.75	RP016-0095-C	Pins - Roll - Carbon Steel Material: Carbon Spring Steel
1.59 (0.063")	9.50	1.75	RP016-0095-Z	Pins - Roll - Zinc Plated Material: Zinc Plated Carbon Spring Steel
1.59 (0.063")	9.53	1.75	RP016-0095-420	Pins - Roll - Stainless Steel - 420 Grade Material: Carbon Spring Steel
1.59 (0.063")	11.10	1.75	RP016-0111-C	Pins - Roll - Carbon Steel Material: Carbon Spring Steel
1.59 (0.063")	11.10	1.75	** RP016-0111-420	Pins - Roll - Stainless Steel - 420 Grade Material: 420 Stainless Steel Rc 46-52
1.59 (0.063")	11.10	1.75	RP016-0111-Z	Pins - Roll - Zinc Plated Material: Zinc Plated Carbon Spring Steel
1.59 (0.063")	12.70	1.75	RP016-0127-420	Pins - Roll - Stainless Steel - 420 Grade Material: 420 Stainless Steel Rc 46-52
1.59 (0.063")	12.70	1.75	RP016-0127-C	Pins - Roll - Carbon Steel Material: Carbon Spring Steel
1.59 (0.063")	12.70	1.75	RP016-0127-Z	Pins - Roll - Zinc Plated Material: Zinc Plated Carbon Spring Steel
1.59 (0.063")	14.27	1.75	RP016-0143-C	Pins - Roll - Carbon Steel Material: Carbon Spring Steel
1.59 (0.063")	14.30	1.75	* RP016-0143-420	Pins - Roll - Stainless Steel - 420 Grade Material: 420 Stainless Steel Rc 46-52
1.59 (0.063")	14.30	1.75	RP016-0143-Z	Pins - Roll - Zinc Plated Material: Zinc Plated Carbon Spring Steel
1.59 (0.063")	15.88	1.75	RP016-0159-C	Pins - Roll - Carbon Steel Material: Carbon Spring Steel
1.59 (0.063")	15.90	1.75	RP016-0159-420	Pins - Roll - Stainless Steel - 420 Grade Material: 420 Stainless Steel Rc 46-52
1.59 (0.063")	15.90	1.75	RP016-0159-Z	Pins - Roll - Zinc Plated Material: Zinc Plated Carbon Spring Steel
1.59 (0.063")	17.45	1.75	RP016-0174-C	Pins - Roll - Carbon Steel Material: Carbon Spring Steel
1.59 (0.063")	17.50	1.75	RP016-0175-420	Pins - Roll - Stainless Steel - 420 Grade Material: 420 Stainless Steel Rc 46-52
1.59 (0.063")	17.50	1.75	* RP016-0175-C	Pins - Roll - Carbon Steel Material: Carbon Spring Steel
1.59 (0.063")	17.50	1.75	RP016-0175-Z	Pins - Roll - Zinc Plated Material: Zinc Plated Carbon Spring Steel
1.59 (0.063")	19.05	1.75	RP016-0191-C	Pins - Roll - Carbon Steel Material: Carbon Spring Steel
1.59 (0.063")	19.10	1.75	RP016-0191-420	Pins - Roll - Stainless Steel - 420 Grade Material: 420 Stainless Steel Rc 46-52
1.59 (0.063")	19.10	1.75	RP016-0191-Z	Pins - Roll - Zinc Plated Material: Zinc Plated Carbon Spring Steel



Stocked or Short Delivery



Usually Available Short Delivery



Long delivery or not in current production

\* Large Minimum Quantities

\*\* Available only while stock lasts

# Roll Pins

Nominal Diameter (D) mm (inches)	Length (L) mm	Free Diameter mm	Part Number	
1.59 (0.063")	20.60	1.75	* RP016-0206-420	<i>Pins - Roll - Stainless Steel - 420 Grade</i> Material: 420 Stainless Steel Rc 46-52
1.59 (0.063")	20.60	1.75	RP016-0206-Z	<i>Pins - Roll - Zinc Plated</i> Material: Zinc Plated Carbon Spring Steel
1.59 (0.063")	20.62	1.75	RP016-0206-C	<i>Pins - Roll - Carbon Steel</i> Material: Carbon Spring Steel
1.59 (0.063")	22.20	1.75	RP016-0222-420	<i>Pins - Roll - Stainless Steel - 420 Grade</i> Material: 420 Stainless Steel Rc 46-52
1.59 (0.063")	22.20	1.75	RP016-0222-Z	<i>Pins - Roll - Zinc Plated</i> Material: Zinc Plated Carbon Spring Steel
1.59 (0.063")	22.23	1.75	RP016-0222-C	<i>Pins - Roll - Carbon Steel</i> Material: Carbon Spring Steel
1.59 (0.063")	23.80	1.75	* RP016-0238-420	<i>Pins - Roll - Stainless Steel - 420 Grade</i> Material: 420 Stainless Steel Rc 46-52
1.59 (0.063")	23.80	1.75	* RP016-0238-C	<i>Pins - Roll - Carbon Steel</i> Material: Carbon Spring Steel
1.59 (0.063")	23.80	1.75	RP016-0238-Z	<i>Pins - Roll - Zinc Plated</i> Material: Zinc Plated Carbon Spring Steel
1.59 (0.063")	25.40	1.75	RP016-0254-420	<i>Pins - Roll - Stainless Steel - 420 Grade</i> Material: 420 Stainless Steel Rc 46-52
1.59 (0.063")	25.40	1.75	RP016-0254-C	<i>Pins - Roll - Carbon Steel</i> Material: Carbon Spring Steel
1.59 (0.063")	25.40	1.75	RP016-0254-Z	<i>Pins - Roll - Zinc Plated</i> Material: Zinc Plated Carbon Spring Steel
1.98 (0.078")	4.75	2.18	RP019-0047-C	<i>Pins - Roll - Carbon Steel</i> Material: Carbon Spring Steel
1.98 (0.078")	6.35	2.18	RP019-0064-C	<i>Pins - Roll - Carbon Steel</i> Material: Carbon Spring Steel
1.98 (0.078")	6.40	2.18	RP019-0064-Z	<i>Pins - Roll - Zinc Plated</i> Material: Zinc Plated Carbon Spring Steel
1.98 (0.078")	7.90	2.18	RP019-0079-Z	<i>Pins - Roll - Zinc Plated</i> Material: Zinc Plated Carbon Spring Steel
1.98 (0.078")	7.92	2.18	RP019-0079-C	<i>Pins - Roll - Carbon Steel</i> Material: Carbon Spring Steel
1.98 (0.078")	9.50	2.18	RP019-0095-Z	<i>Pins - Roll - Zinc Plated</i> Material: Zinc Plated Carbon Spring Steel
1.98 (0.078")	9.53	2.18	RP019-0095-C	<i>Pins - Roll - Carbon Steel</i> Material: Carbon Spring Steel
1.98 (0.078")	11.10	2.18	RP019-0111-C	<i>Pins - Roll - Carbon Steel</i> Material: Carbon Spring Steel
1.98 (0.078")	11.10	2.18	RP019-0111-Z	<i>Pins - Roll - Zinc Plated</i> Material: Zinc Plated Carbon Spring Steel
1.98 (0.078")	12.70	2.18	RP019-0127-C	<i>Pins - Roll - Carbon Steel</i> Material: Carbon Spring Steel
1.98 (0.078")	12.70	2.18	RP019-0127-Z	<i>Pins - Roll - Zinc Plated</i> Material: Zinc Plated Carbon Spring Steel
1.98 (0.078")	14.27	2.18	RP019-0143-C	<i>Pins - Roll - Carbon Steel</i> Material: Carbon Spring Steel
1.98 (0.078")	14.30	2.18	RP019-0143-Z	<i>Pins - Roll - Zinc Plated</i> Material: Zinc Plated Carbon Spring Steel
1.98 (0.078")	15.88	2.18	RP019-0159-C	<i>Pins - Roll - Carbon Steel</i> Material: Carbon Spring Steel
1.98 (0.078")	15.90	2.18	RP019-0159-Z	<i>Pins - Roll - Zinc Plated</i> Material: Zinc Plated Carbon Spring Steel
1.98 (0.078")	17.50	2.18	RP019-0175-Z	<i>Pins - Roll - Zinc Plated</i> Material: Zinc Plated Carbon Spring Steel
1.98 (0.078")	19.05	2.18	RP019-0191-C	<i>Pins - Roll - Carbon Steel</i> Material: Carbon Spring Steel
1.98 (0.078")	19.10	2.18	RP019-0191-Z	<i>Pins - Roll - Zinc Plated</i> Material: Zinc Plated Carbon Spring Steel
1.98 (0.078")	20.60	2.18	RP019-0206-Z	<i>Pins - Roll - Zinc Plated</i> Material: Zinc Plated Carbon Spring Steel



Stocked or Short Delivery



Usually Available Short Delivery



Long delivery or not in current production

\* Large Minimum Quantities

\*\* Available only while stock lasts

# Roll Pins

Nominal Diameter (D) mm (inches)	Length (L) mm	Free Diameter mm	Part Number		
1.98 (0.078")	22.20	2.18	RP019-0222-Z	Pins - Roll - Zinc Plated	Material: Zinc Plated Carbon Spring Steel
1.98 (0.078")	23.80	2.18	RP019-0238-Z	Pins - Roll - Zinc Plated	Material: Zinc Plated Carbon Spring Steel
1.98 (0.078")	25.40	2.18	RP019-0254-C	Pins - Roll - Carbon Steel	Material: Carbon Spring Steel
1.98 (0.078")	25.40	2.18	RP019-0254-Z	Pins - Roll - Zinc Plated	Material: Zinc Plated Carbon Spring Steel
1.98 (0.078")	28.60	2.18	RP019-0286-Z	Pins - Roll - Zinc Plated	Material: Zinc Plated Carbon Spring Steel
1.98 (0.078")	31.75	2.18	RP019-0318-C	Pins - Roll - Carbon Steel	Material: Carbon Spring Steel
1.98 (0.078")	31.80	2.18	RP019-0318-Z	Pins - Roll - Zinc Plated	Material: Zinc Plated Carbon Spring Steel
1.98 (0.078")	34.90	2.18	RP019-0349-Z	Pins - Roll - Zinc Plated	Material: Zinc Plated Carbon Spring Steel
1.98 (0.078")	38.10	2.18	RP019-0381-C	Pins - Roll - Carbon Steel	Material: Carbon Spring Steel
1.98 (0.078")	38.10	2.18	RP019-0381-Z	Pins - Roll - Zinc Plated	Material: Zinc Plated Carbon Spring Steel
2.00 (0.079")	4.00	2.20	RP020-0040-4	Pins - Roll - Stainless Steel - 300 Grade	Material: 304 Stainless
2.00 (0.079")	4.00	2.20	RP020-0040-Z	Pins - Roll - Zinc Plated	Material: Zinc Plated Carbon Spring Steel
2.00 (0.079")	5.00	2.20	RP020-0050-4	Pins - Roll - Stainless Steel - 300 Grade	Material: 304 Stainless
2.00 (0.079")	5.00	2.20	* RP020-0050-420	Pins - Roll - Stainless Steel - 420 Grade	Material: 420 Stainless Steel Rc 46-52
2.00 (0.079")	5.00	2.20	RP020-0050-C	Pins - Roll - Carbon Steel	Material: Carbon Spring Steel
2.00 (0.079")	5.00	2.20	RP020-0050-Z	Pins - Roll - Zinc Plated	Material: Zinc Plated Carbon Spring Steel
2.00 (0.079")	6.00	2.20	RP020-0060-4	Pins - Roll - Stainless Steel - 300 Grade	Material: 304 Stainless
2.00 (0.079")	6.00	2.20	* RP020-0060-420	Pins - Roll - Stainless Steel - 420 Grade	Material: 420 Stainless Steel Rc 46-52
2.00 (0.079")	6.00	2.20	RP020-0060-C	Pins - Roll - Carbon Steel	Material: Carbon Steel CS70
2.00 (0.079")	6.00	2.20	RP020-0060-Z	Pins - Roll - Zinc Plated	Material: Zinc Plated Carbon Spring Steel
2.00 (0.079")	8.00	2.20	** RP020-0080-4	Pins - Roll - Stainless Steel - 300 Grade	Material: 304 Stainless
2.00 (0.079")	8.00	2.20	* RP020-0080-420	Pins - Roll - Stainless Steel - 420 Grade	Material: 420 Stainless Steel Rc 46-52
2.00 (0.079")	8.00	2.20	* RP020-0080-C	Pins - Roll - Carbon Steel	Material: Carbon Steel CS70
2.00 (0.079")	8.00	2.20	RP020-0080-Z	Pins - Roll - Zinc Plated	Material: Zinc Plated Carbon Spring Steel
2.00 (0.079")	10.00	2.20	RP020-0100-4	Pins - Roll - Stainless Steel - 300 Grade	Material: 304 Stainless
2.00 (0.079")	10.00	2.20	RP020-0100-C	Pins - Roll - Carbon Steel	Material: Carbon Steel CS70
2.00 (0.079")	10.00	2.20	RP020-0100-A-C	Pins - Roll - Carbon Steel	Material: Carbon Steel CS70
2.00 (0.079")	10.00	2.20	RP020-0100-Z	Pins - Roll - Zinc Plated	Material: Zinc Plated Carbon Spring Steel
2.00 (0.079")	12.00	2.20	RP020-0120-4	Pins - Roll - Stainless Steel - 300 Grade	Material: 304 Stainless
2.00 (0.079")	12.00	2.20	RP020-0120-420	Pins - Roll - Stainless Steel - 420 Grade	Material: 420 Stainless Steel Rc 46-52
2.00 (0.079")	12.00	2.20	RP020-0120-A-C	Pins - Roll - Carbon Steel	Material: Carbon Steel CS70

Stocked or Short Delivery

Usually Available Short Delivery

Long delivery or not in current production

\* Large Minimum Quantities

\*\* Available only while stock lasts

# Roll Pins

Nominal Diameter (D) mm (inches)	Length (L) mm	Free Diameter mm	Part Number		
2.00 (0.079")	12.00	2.20	RP020-0120-C	Pins - Roll - Carbon Steel	Material: Carbon Steel CS70
2.00 (0.079")	12.00	2.20	RP020-0120-Z	Pins - Roll - Zinc Plated	Material: Zinc Plated Carbon Spring Steel
2.00 (0.079")	14.00	2.20	** RP020-0140-4	Pins - Roll - Stainless Steel - 300 Grade	Material: 304 Stainless
2.00 (0.079")	14.00	2.20	* RP020-0140-420	Pins - Roll - Stainless Steel - 420 Grade	Material: 420 Stainless Steel Rc 46-52
2.00 (0.079")	14.00	2.20	* RP020-0140-C	Pins - Roll - Carbon Steel	Material: Carbon Steel CS70
2.00 (0.079")	14.00	2.20	RP020-0140-Z	Pins - Roll - Zinc Plated	Material: Zinc Plated Carbon Spring Steel
2.00 (0.079")	16.00	2.20	** RP020-0160-4	Pins - Roll - Stainless Steel - 300 Grade	Material: 304 Stainless
2.00 (0.079")	16.00	2.20	** RP020-0160-420	Pins - Roll - Stainless Steel - 420 Grade	Material: 420 Stainless Steel Rc 46-52
2.00 (0.079")	16.00	2.20	** RP020-0160-C	Pins - Roll - Carbon Steel	Material: Carbon Spring Steel
2.00 (0.079")	16.00	2.20	RP020-0160-Z	Pins - Roll - Zinc Plated	Material: Zinc Plated Carbon Spring Steel
2.00 (0.079")	18.00	2.20	** RP020-0180-4	Pins - Roll - Stainless Steel - 300 Grade	Material: 304 Stainless
2.00 (0.079")	18.00	2.20	* RP020-0180-420	Pins - Roll - Stainless Steel - 420 Grade	Material: 420 Stainless Steel Rc 46-52
2.00 (0.079")	18.00	2.20	* RP020-0180-C	Pins - Roll - Carbon Steel	Material: Carbon Steel CS70
2.00 (0.079")	18.00	2.20	RP020-0180-Z	Pins - Roll - Zinc Plated	Material: Zinc Plated Carbon Spring Steel
2.00 (0.079")	20.00	2.20	RP020-0200-4	Pins - Roll - Stainless Steel - 300 Grade	Material: 304 Stainless
2.00 (0.079")	20.00	2.20	RP020-0200-A-C	Pins - Roll - Carbon Steel	Material: Carbon Steel CS70
2.00 (0.079")	20.00	2.20	* RP020-0200-C	Pins - Roll - Carbon Steel	Material: Carbon Steel CS70
2.00 (0.079")	20.00	2.20	RP020-0200-Z	Pins - Roll - Zinc Plated	Material: Zinc Plated Carbon Spring Steel
2.00 (0.079")	22.00	2.20	RP020-0220-4	Pins - Roll - Stainless Steel - 300 Grade	Material: 304 Stainless
2.00 (0.079")	22.00	2.20	* RP020-0220-C	Pins - Roll - Carbon Steel	Material: Carbon Steel CS70
2.00 (0.079")	22.00	2.20	RP020-0220-Z	Pins - Roll - Zinc Plated	Material: Zinc Plated Carbon Spring Steel
2.00 (0.079")	24.00	2.20	** RP020-0240-4	Pins - Roll - Stainless Steel - 300 Grade	Material: 304 Stainless
2.00 (0.079")	24.00	2.20	* RP020-0240-C	Pins - Roll - Carbon Steel	Material: Carbon Steel CS70
2.00 (0.079")	24.00	2.20	RP020-0240-Z	Pins - Roll - Zinc Plated	Material: Zinc Plated Carbon Spring Steel
2.00 (0.079")	26.00	2.20	RP020-0260-4	Pins - Roll - Stainless Steel - 300 Grade	Material: 304 Stainless
2.00 (0.079")	26.00	2.20	* RP020-0260-C	Pins - Roll - Carbon Steel	Material: Carbon Steel CS70
2.00 (0.079")	26.00	2.20	RP020-0260-Z	Pins - Roll - Zinc Plated	Material: Zinc Plated Carbon Spring Steel
2.00 (0.079")	28.00	2.20	RP020-0280-4	Pins - Roll - Stainless Steel - 300 Grade	Material: 304 Stainless
2.00 (0.079")	28.00	2.20	* RP020-0280-C	Pins - Roll - Carbon Steel	Material: Carbon Steel CS70
2.00 (0.079")	28.00	2.20	RP020-0280-Z	Pins - Roll - Zinc Plated	Material: Zinc Plated Carbon Spring Steel
2.00 (0.079")	30.00	2.20	RP020-0300-4	Pins - Roll - Stainless Steel - 300 Grade	Material: 304 Stainless



Stocked or Short Delivery



Usually Available Short Delivery



Long delivery or not in current production

\* Large Minimum Quantities

\*\* Available only while stock lasts

# Roll Pins

Nominal Diameter (D) mm (inches)	Length (L) mm	Free Diameter mm	Part Number		
2.00 (0.079")	30.00	2.20	RP020-0300-C	<i>Pins - Roll - Carbon Steel</i>	Material: Carbon Steel CS70
2.00 (0.079")	30.00	2.20	RP020-0300-Z	<i>Pins - Roll - Zinc Plated</i>	Material: Zinc Plated Carbon Spring Steel
2.38 (0.094")	4.75	2.62	RP024-0047-C	<i>Pins - Roll - Carbon Steel</i>	Material: Carbon Spring Steel
2.38 (0.094")	5.54	2.62	RP024-0055-C	<i>Pins - Roll - Carbon Steel</i>	Material: Carbon Spring Steel
2.38 (0.094")	6.35	2.62	RP024-0064-C	<i>Pins - Roll - Carbon Steel</i>	Material: Carbon Spring Steel
2.38 (0.094")	6.40	2.62	RP024-0064-420	<i>Pins - Roll - Stainless Steel - 420 Grade</i>	Material: 420 Stainless Steel Rc 46-52
2.38 (0.094")	6.40	2.62	RP024-0064-Z	<i>Pins - Roll - Zinc Plated</i>	Material: Zinc Plated Carbon Spring Steel
2.38 (0.094")	7.90	2.62	* RP024-0079-420	<i>Pins - Roll - Stainless Steel - 420 Grade</i>	Material: 420 Stainless Steel Rc 46-52
2.38 (0.094")	7.90	2.62	RP024-0079-Z	<i>Pins - Roll - Zinc Plated</i>	Material: Zinc Plated Carbon Spring Steel
2.38 (0.094")	7.92	2.62	RP024-0079-C	<i>Pins - Roll - Carbon Steel</i>	Material: Carbon Spring Steel
2.38 (0.094")	9.50	2.62	RP024-0095-420	<i>Pins - Roll - Stainless Steel - 420 Grade</i>	Material: 420 Stainless Steel Rc 46-52
2.38 (0.094")	9.50	2.62	RP024-0095-Z	<i>Pins - Roll - Zinc Plated</i>	Material: Zinc Plated Carbon Spring Steel
2.38 (0.094")	9.53	2.62	RP024-0095-C	<i>Pins - Roll - Carbon Steel</i>	Material: Carbon Spring Steel
2.38 (0.094")	11.10	2.62	RP024-0111-C	<i>Pins - Roll - Carbon Steel</i>	Material: Carbon Spring Steel
2.38 (0.094")	11.10	2.62	** RP024-0111-420	<i>Pins - Roll - Stainless Steel - 420 Grade</i>	Material: 420 Stainless Steel Rc 46-52
2.38 (0.094")	11.10	2.62	RP024-0111-Z	<i>Pins - Roll - Zinc Plated</i>	Material: Zinc Plated Carbon Spring Steel
2.38 (0.094")	12.70	2.62	RP024-0127-420	<i>Pins - Roll - Stainless Steel - 420 Grade</i>	Material: 420 Stainless Steel Rc 46-52
2.38 (0.094")	12.70	2.62	RP024-0127-C	<i>Pins - Roll - Carbon Steel</i>	Material: Carbon Spring Steel
2.38 (0.094")	12.70	2.62	RP024-0127-Z	<i>Pins - Roll - Zinc Plated</i>	Material: Zinc Plated Carbon Spring Steel
2.38 (0.094")	14.27	2.62	RP024-0143-C	<i>Pins - Roll - Carbon Steel</i>	Material: Carbon Spring Steel
2.38 (0.094")	14.30	2.62	RP024-0143-420	<i>Pins - Roll - Stainless Steel - 420 Grade</i>	Material: 420 Stainless Steel Rc 46-52
2.38 (0.094")	14.30	2.62	RP024-0143-Z	<i>Pins - Roll - Zinc Plated</i>	Material: Zinc Plated Carbon Spring Steel
2.38 (0.094")	15.88	2.62	RP024-0159-C	<i>Pins - Roll - Carbon Steel</i>	Material: Carbon Spring Steel
2.38 (0.094")	15.90	2.62	RP024-0159-4	<i>Pins - Roll - Stainless Steel - 300 Grade</i>	Material: 304 Stainless PV
2.38 (0.094")	15.90	2.62	RP024-0159-420	<i>Pins - Roll - Stainless Steel - 420 Grade</i>	Material: 420 Stainless Steel Rc 46-52
2.38 (0.094")	15.90	2.62	RP024-0159-Z	<i>Pins - Roll - Zinc Plated</i>	Material: Zinc Plated Carbon Spring Steel
2.38 (0.094")	17.45	2.62	RP024-0174-C	<i>Pins - Roll - Carbon Steel</i>	Material: Carbon Spring Steel
2.38 (0.094")	17.50	2.62	RP024-0175-4	<i>Pins - Roll - Stainless Steel - 300 Grade</i>	Material: 304 Stainless PV
2.38 (0.094")	17.50	2.62	RP024-0175-420	<i>Pins - Roll - Stainless Steel - 420 Grade</i>	Material: 420 Stainless Steel Rc 46-52
2.38 (0.094")	17.50	2.62	* RP024-0175-C	<i>Pins - Roll - Carbon Steel</i>	Material: Carbon Spring Steel
2.38 (0.094")	17.50	2.62	RP024-0175-Z	<i>Pins - Roll - Zinc Plated</i>	Material: Zinc Plated Carbon Spring Steel



Stocked or Short Delivery



Usually Available Short Delivery



Long delivery or not in current production

\* Large Minimum Quantities

\*\* Available only while stock lasts

# Roll Pins

Nominal Diameter (D) mm (inches)	Length (L) mm	Free Diameter mm	Part Number	
2.38 (0.094")	19.05	2.62	RP024-0191-C	<i>Pins - Roll - Carbon Steel</i> Material: Carbon Spring Steel
2.38 (0.094")	19.10	2.62	RP024-0191-420	<i>Pins - Roll - Stainless Steel - 420 Grade</i> Material: 420 Stainless Steel Rc 46-52
2.38 (0.094")	19.10	2.62	RP024-0191-Z	<i>Pins - Roll - Zinc Plated</i> Material: Zinc Plated Carbon Spring Steel
2.38 (0.094")	20.60	2.62	RP024-0206-420	<i>Pins - Roll - Stainless Steel - 420 Grade</i> Material: 420 Stainless Steel Rc 46-52
2.38 (0.094")	20.60	2.62	RP024-0206-Z	<i>Pins - Roll - Zinc Plated</i> Material: Zinc Plated Carbon Spring Steel
2.38 (0.094")	20.62	2.62	RP024-0206-C	<i>Pins - Roll - Carbon Steel</i> Material: Carbon Spring Steel
2.38 (0.094")	22.20	2.62	RP024-0222-420	<i>Pins - Roll - Stainless Steel - 420 Grade</i> Material: 420 Stainless Steel Rc 46-52
2.38 (0.094")	22.20	2.62	RP024-0222-Z	<i>Pins - Roll - Zinc Plated</i> Material: Zinc Plated Carbon Spring Steel
2.38 (0.094")	22.23	2.62	RP024-0222-C	<i>Pins - Roll - Carbon Steel</i> Material: Carbon Spring Steel
2.38 (0.094")	23.80	2.62	RP024-0238-C	<i>Pins - Roll - Carbon Steel</i> Material: Carbon Spring Steel
2.38 (0.094")	23.80	2.62	RP024-0238-420	<i>Pins - Roll - Stainless Steel - 420 Grade</i> Material: 420 Stainless Steel Rc 46-52
2.38 (0.094")	23.80	2.62	RP024-0238-Z	<i>Pins - Roll - Zinc Plated</i> Material: Zinc Plated Carbon Spring Steel
2.38 (0.094")	25.40	2.62	RP024-0254-420	<i>Pins - Roll - Stainless Steel - 420 Grade</i> Material: 420 Stainless Steel Rc 46-52
2.38 (0.094")	25.40	2.62	RP024-0254-C	<i>Pins - Roll - Carbon Steel</i> Material: Carbon Spring Steel
2.38 (0.094")	25.40	2.62	RP024-0254-Z	<i>Pins - Roll - Zinc Plated</i> Material: Zinc Plated Carbon Spring Steel
2.38 (0.094")	28.58	2.62	RP024-0286-C	<i>Pins - Roll - Carbon Steel</i> Material: Carbon Spring Steel
2.38 (0.094")	28.60	2.62	RP024-0286-420	<i>Pins - Roll - Stainless Steel - 420 Grade</i> Material: 420 Stainless Steel Rc 46-52
2.38 (0.094")	28.60	2.62	RP024-0286-Z	<i>Pins - Roll - Zinc Plated</i> Material: Zinc Plated Carbon Spring Steel
2.38 (0.094")	31.75	2.62	RP024-0318-C	<i>Pins - Roll - Carbon Steel</i> Material: Carbon Spring Steel
2.38 (0.094")	31.80	2.62	* RP024-0318-420	<i>Pins - Roll - Stainless Steel - 420 Grade</i> Material: 420 Stainless Steel Rc 46-52
2.38 (0.094")	31.80	2.62	RP024-0318-Z	<i>Pins - Roll - Zinc Plated</i> Material: Zinc Plated Carbon Spring Steel
2.38 (0.094")	34.90	2.62	* RP024-0349-420	<i>Pins - Roll - Stainless Steel - 420 Grade</i> Material: 420 Stainless Steel Rc 46-52
2.38 (0.094")	34.90	2.62	RP024-0349-Z	<i>Pins - Roll - Zinc Plated</i> Material: Zinc Plated Carbon Spring Steel
2.38 (0.094")	34.93	2.62	RP024-0349-C	<i>Pins - Roll - Carbon Steel</i> Material: Carbon Spring Steel
2.38 (0.094")	38.10	2.62	* RP024-0381-420	<i>Pins - Roll - Stainless Steel - 420 Grade</i> Material: 420 Stainless Steel Rc 46-52
2.38 (0.094")	38.10	2.62	RP024-0381-C	<i>Pins - Roll - Carbon Steel</i> Material: Carbon Spring Steel
2.38 (0.094")	38.10	2.62	RP024-0381-Z	<i>Pins - Roll - Zinc Plated</i> Material: Zinc Plated Carbon Spring Steel
2.38 (0.094")	44.45	2.62	RP024-0445-C	<i>Pins - Roll - Carbon Steel</i> Material: Carbon Spring Steel
2.50 (0.098")	4.00	2.75	* RP025-0040-C	<i>Pins - Roll - Carbon Steel</i> Material: Carbon Steel CS70
2.50 (0.098")	4.00	2.75	* RP025-0040-Z	<i>Pins - Roll - Zinc Plated</i> Material: Zinc Plated Carbon Spring Steel
2.50 (0.098")	5.00	2.75	RP025-0050-4	<i>Pins - Roll - Stainless Steel - 300 Grade</i> Material: 304 Stainless

Stocked or Short Delivery     
 Usually Available Short Delivery     
 Long delivery or not in current production

\* Large Minimum Quantities

\*\* Available only while stock lasts

# Roll Pins

Nominal Diameter (D) mm (inches)	Length (L) mm	Free Diameter mm	Part Number		
2.50 (0.098")	5.00	2.75	** RP025-0050-C	Pins - Roll - Carbon Steel	Material: Carbon Steel CS70
2.50 (0.098")	5.00	2.75	RP025-0050-Z	Pins - Roll - Zinc Plated	Material: Zinc Plated Carbon Spring Steel
2.50 (0.098")	6.00	2.75	RP025-0060-4	Pins - Roll - Stainless Steel - 300 Grade	Material: 304 Stainless
2.50 (0.098")	6.00	2.75	* RP025-0060-420	Pins - Roll - Stainless Steel - 420 Grade	Material: 420 Stainless Steel Rc 46-52
2.50 (0.098")	6.00	2.75	RP025-0060-C	Pins - Roll - Carbon Steel	Material: Carbon Steel CS70
2.50 (0.098")	6.00	2.75	RP025-0060-Z	Pins - Roll - Zinc Plated	Material: Zinc Plated Carbon Spring Steel
2.50 (0.098")	8.00	2.75	RP025-0080-4	Pins - Roll - Stainless Steel - 300 Grade	Material: 304 Stainless
2.50 (0.098")	8.00	2.75	* RP025-0080-420	Pins - Roll - Stainless Steel - 420 Grade	Material: 420 Stainless Steel Rc 46-52
2.50 (0.098")	8.00	2.75	* RP025-0080-C	Pins - Roll - Carbon Steel	Material: Carbon Steel CS70
2.50 (0.098")	8.00	2.75	RP025-0080-Z	Pins - Roll - Zinc Plated	Material: Zinc Plated Carbon Spring Steel
2.50 (0.098")	10.00	2.75	RP025-0100-4	Pins - Roll - Stainless Steel - 300 Grade	Material: 304 Stainless
2.50 (0.098")	10.00	2.75	** RP025-0100-420	Pins - Roll - Stainless Steel - 420 Grade	Material: 420 Stainless Steel Rc 46-52
2.50 (0.098")	10.00	2.75	* RP025-0100-C	Pins - Roll - Carbon Steel	Material: Carbon Steel CS70
2.50 (0.098")	10.00	2.75	RP025-0100-Z	Pins - Roll - Zinc Plated	Material: Zinc Plated Carbon Spring Steel
2.50 (0.098")	12.00	2.75	RP025-0120-4	Pins - Roll - Stainless Steel - 300 Grade	Material: 304 Stainless
2.50 (0.098")	12.00	2.75	** RP025-0120-420	Pins - Roll - Stainless Steel - 420 Grade	Material: 420 Stainless Steel Rc 46-52
2.50 (0.098")	12.00	2.75	RP025-0120-C	Pins - Roll - Carbon Steel	Material: Carbon Steel CS70
2.50 (0.098")	12.00	2.75	RP025-0120-Z	Pins - Roll - Zinc Plated	Material: Zinc Plated Carbon Spring Steel
2.50 (0.098")	14.00	2.75	RP025-0140-4	Pins - Roll - Stainless Steel - 300 Grade	Material: 304 Stainless
2.50 (0.098")	14.00	2.75	* RP025-0140-420	Pins - Roll - Stainless Steel - 420 Grade	Material: 420 Stainless Steel Rc 46-52
2.50 (0.098")	14.00	2.75	RP025-0140-C	Pins - Roll - Carbon Steel	Material: Carbon Steel CS70
2.50 (0.098")	14.00	2.75	RP025-0140-Z	Pins - Roll - Zinc Plated	Material: Zinc Plated Carbon Spring Steel
2.50 (0.098")	16.00	2.75	RP025-0160-4	Pins - Roll - Stainless Steel - 300 Grade	Material: 304 Stainless
2.50 (0.098")	16.00	2.75	* RP025-0160-420	Pins - Roll - Stainless Steel - 420 Grade	Material: 420 Stainless Steel Rc 46-52
2.50 (0.098")	16.00	2.75	* RP025-0160-C	Pins - Roll - Carbon Steel	Material: Carbon Steel CS70
2.50 (0.098")	16.00	2.75	RP025-0160-A-C	Pins - Roll - Carbon Steel	Material: Carbon Steel CS70
2.50 (0.098")	16.00	2.75	RP025-0160-Z	Pins - Roll - Zinc Plated	Material: Zinc Plated Carbon Spring Steel
2.50 (0.098")	18.00	2.75	RP025-0180-4	Pins - Roll - Stainless Steel - 300 Grade	Material: 304 Stainless
2.50 (0.098")	18.00	2.75	* RP025-0180-420	Pins - Roll - Stainless Steel - 420 Grade	Material: 420 Stainless Steel Rc 46-52
2.50 (0.098")	18.00	2.75	RP025-0180-C	Pins - Roll - Carbon Steel	Material: Carbon Steel CS70
2.50 (0.098")	18.00	2.75	RP025-0180-Z	Pins - Roll - Zinc Plated	Material: Zinc Plated Carbon Spring Steel

Stocked or Short Delivery

Usually Available Short Delivery

Long delivery or not in current production

\* Large Minimum Quantities

\*\* Available only while stock lasts

# Roll Pins

Nominal Diameter (D) mm (inches)	Length (L) mm	Free Diameter mm	Part Number	
2.50 (0.098")	20.00	2.75	** RP025-0200-4	Pins - Roll - Stainless Steel - 300 Grade Material: 304 Stainless
2.50 (0.098")	20.00	2.75	* RP025-0200-420	Pins - Roll - Stainless Steel - 420 Grade Material: 420 Stainless Steel Rc 46-52
2.50 (0.098")	20.00	2.75	RP025-0200-A-C	Pins - Roll - Carbon Steel Material: Carbon Steel CS70
2.50 (0.098")	20.00	2.75	** RP025-0200-C	Pins - Roll - Carbon Steel Material: Carbon Steel CS70
2.50 (0.098")	20.00	2.75	RP025-0200-Z	Pins - Roll - Zinc Plated Material: Zinc Plated Carbon Spring Steel
2.50 (0.098")	22.00	2.75	** RP025-0220-4	Pins - Roll - Stainless Steel - 300 Grade Material: 304 Stainless
2.50 (0.098")	22.00	2.75	** RP025-0220-420	Pins - Roll - Stainless Steel - 420 Grade Material: 420 Stainless Steel Rc 46-52
2.50 (0.098")	22.00	2.75	* RP025-0220-C	Pins - Roll - Carbon Steel Material: Carbon Steel CS70
2.50 (0.098")	22.00	2.75	RP025-0220-Z	Pins - Roll - Zinc Plated Material: Zinc Plated Carbon Spring Steel
2.50 (0.098")	24.00	2.75	RP025-0240-4	Pins - Roll - Stainless Steel - 300 Grade Material: 304 Stainless
2.50 (0.098")	24.00	2.75	RP025-0240-C	Pins - Roll - Carbon Steel Material: Carbon Steel CS70
2.50 (0.098")	24.00	2.75	RP025-0240-Z	Pins - Roll - Zinc Plated Material: Zinc Plated Carbon Spring Steel
2.50 (0.098")	26.00	2.75	** RP025-0260-4	Pins - Roll - Stainless Steel - 300 Grade Material: 304 Stainless
2.50 (0.098")	26.00	2.75	RP025-0260-C	Pins - Roll - Carbon Steel Material: Carbon Steel CS70
2.50 (0.098")	26.00	2.75	RP025-0260-A-C	Pins - Roll - Carbon Steel Material: Carbon Steel CS70
2.50 (0.098")	26.00	2.75	RP025-0260-Z	Pins - Roll - Zinc Plated Material: Zinc Plated Carbon Spring Steel
2.50 (0.098")	28.00	2.75	* RP025-0280-C	Pins - Roll - Carbon Steel Material: Carbon Steel CS70
2.50 (0.098")	28.00	2.75	RP025-0280-Z	Pins - Roll - Zinc Plated Material: Zinc Plated Carbon Spring Steel
2.50 (0.098")	30.00	2.75	RP025-0300-4	Pins - Roll - Stainless Steel - 300 Grade Material: 304 Stainless
2.50 (0.098")	30.00	2.75	* RP025-0300-C	Pins - Roll - Carbon Steel Material: Carbon Spring Steel
2.50 (0.098")	30.00	2.75	RP025-0300-Z	Pins - Roll - Zinc Plated Material: Zinc Plated Carbon Spring Steel
3.00 (0.118")	4.00	3.30	** RP030-0040-C	Pins - Roll - Carbon Steel Material: Carbon Steel CS70
3.00 (0.118")	4.00	3.30	* RP030-0040-Z	Pins - Roll - Zinc Plated Material: Zinc Plated Carbon Spring Steel
3.00 (0.118")	5.00	3.30	RP030-0050-4	Pins - Roll - Stainless Steel - 300 Grade Material: 304 Stainless
3.00 (0.118")	5.00	3.30	RP030-0050-C	Pins - Roll - Carbon Steel Material: Carbon Steel CS70
3.00 (0.118")	5.00	3.30	RP030-0050-Z	Pins - Roll - Zinc Plated Material: Zinc Plated Carbon Spring Steel
3.00 (0.118")	6.00	3.30	RP030-0060-4	Pins - Roll - Stainless Steel - 300 Grade Material: 304 Stainless
3.00 (0.118")	6.00	3.30	** RP030-0060-C	Pins - Roll - Carbon Steel Material: Carbon Steel CS70
3.00 (0.118")	6.00	3.30	RP030-0060-Z	Pins - Roll - Zinc Plated Material: Zinc Plated Carbon Spring Steel
3.00 (0.118")	8.00	3.30	RP030-0080-4	Pins - Roll - Stainless Steel - 300 Grade Material: 304 Stainless
3.00 (0.118")	8.00	3.30	* RP030-0080-420	Pins - Roll - Stainless Steel - 420 Grade Material: 420 Stainless Steel Rc 46-52



Stocked or Short Delivery



Usually Available Short Delivery



Long delivery or not in current production

\* Large Minimum Quantities

\*\* Available only while stock lasts



# Roll Pins

Nominal Diameter (D) mm (inches)	Length (L) mm	Free Diameter mm	Part Number		
3.00 (0.118")	8.00	3.30	RP030-0080-A-C	Pins - Roll - Carbon Steel	Material: Carbon Steel CS70
3.00 (0.118")	8.00	3.30	RP030-0080-C	Pins - Roll - Carbon Steel	Material: Carbon Steel CS70
3.00 (0.118")	8.00	3.30	RP030-0080-Z	Pins - Roll - Zinc Plated	Material: Zinc Plated Carbon Spring Steel
3.00 (0.118")	10.00	3.30	** RP030-0100-4	Pins - Roll - Stainless Steel - 300 Grade	Material: 304 Stainless
3.00 (0.118")	10.00	3.30	RP030-0100-420	Pins - Roll - Stainless Steel - 420 Grade	Material: 420 Stainless Steel Rc 46-52
3.00 (0.118")	10.00	3.30	RP030-0100-C	Pins - Roll - Carbon Steel	Material: Carbon Steel CS70
3.00 (0.118")	10.00	3.30	RP030-0100-Z	Pins - Roll - Zinc Plated	Material: Zinc Plated Carbon Spring Steel
3.00 (0.118")	12.00	3.30	RP030-0120-4	Pins - Roll - Stainless Steel - 300 Grade	Material: 304 Stainless
3.00 (0.118")	12.00	3.30	** RP030-0120-420	Pins - Roll - Stainless Steel - 420 Grade	Material: 420 Stainless Steel Rc 46-52
3.00 (0.118")	12.00	3.30	RP030-0120-C	Pins - Roll - Carbon Steel	Material: Carbon Steel CS70
3.00 (0.118")	12.00	3.30	RP030-0120-Z	Pins - Roll - Zinc Plated	Material: Zinc Plated Carbon Spring Steel
3.00 (0.118")	14.00	3.30	RP030-0140-4	Pins - Roll - Stainless Steel - 300 Grade	Material: 304 Stainless
3.00 (0.118")	14.00	3.30	* RP030-0140-420	Pins - Roll - Stainless Steel - 420 Grade	Material: 420 Stainless Steel Rc 46-52
3.00 (0.118")	14.00	3.30	* RP030-0140-C	Pins - Roll - Carbon Steel	Material: Carbon Steel CS70
3.00 (0.118")	14.00	3.30	RP030-0140-Z	Pins - Roll - Zinc Plated	Material: Zinc Plated Carbon Spring Steel
3.00 (0.118")	16.00	3.30	RP030-0160-4	Pins - Roll - Stainless Steel - 300 Grade	Material: 304 Stainless
3.00 (0.118")	16.00	3.30	* RP030-0160-420	Pins - Roll - Stainless Steel - 420 Grade	Material: 420 Stainless Steel Rc 46-52
3.00 (0.118")	16.00	3.30	RP030-0160-A-C	Pins - Roll - Carbon Steel	Material: Carbon Steel CS70
3.00 (0.118")	16.00	3.30	RP030-0160-C	Pins - Roll - Carbon Steel	Material: Carbon Steel CS70
3.00 (0.118")	16.00	3.30	RP030-0160-Z	Pins - Roll - Zinc Plated	Material: Zinc Plated Carbon Spring Steel
3.00 (0.118")	18.00	3.30	RP030-0180-4	Pins - Roll - Stainless Steel - 300 Grade	Material: 304 Stainless
3.00 (0.118")	18.00	3.30	* RP030-0180-420	Pins - Roll - Stainless Steel - 420 Grade	Material: 420 Stainless Steel Rc 46-52
3.00 (0.118")	18.00	3.30	* RP030-0180-C	Pins - Roll - Carbon Steel	Material: Carbon Steel CS70
3.00 (0.118")	18.00	3.30	RP030-0180-Z	Pins - Roll - Zinc Plated	Material: Zinc Plated Carbon Spring Steel
3.00 (0.118")	20.00	3.30	RP030-0200-4	Pins - Roll - Stainless Steel - 300 Grade	Material: 304 Stainless
3.00 (0.118")	20.00	3.30	RP030-0200-420	Pins - Roll - Stainless Steel - 420 Grade	Material: 420 Stainless Steel Rc 46-52
3.00 (0.118")	20.00	3.30	RP030-0200-C	Pins - Roll - Carbon Steel	Material: Carbon Steel CS70
3.00 (0.118")	20.00	3.30	RP030-0200-A-C	Pins - Roll - Carbon Steel	Material: Carbon Steel CS70
3.00 (0.118")	20.00	3.30	RP030-0200-Z	Pins - Roll - Zinc Plated	Material: Zinc Plated Carbon Spring Steel
3.00 (0.118")	22.00	3.30	RP030-0220-4	Pins - Roll - Stainless Steel - 300 Grade	Material: 304 Stainless
3.00 (0.118")	22.00	3.30	RP030-0220-420	Pins - Roll - Stainless Steel - 420 Grade	Material: 420 Stainless Steel Rc 46-52



Stocked or Short Delivery



Usually Available Short Delivery



Long delivery or not in current production

\* Large Minimum Quantities

\*\* Available only while stock lasts

# Roll Pins

Nominal Diameter (D) mm (inches)	Length (L) mm	Free Diameter mm	Part Number		
3.00 (0.118")	22.00	3.30	* RP030-0220-C	<i>Pins - Roll - Carbon Steel</i>	Material: Carbon Steel CS70
3.00 (0.118")	22.00	3.30	RP030-0220-Z	<i>Pins - Roll - Zinc Plated</i>	Material: Zinc Plated Carbon Spring Steel
3.00 (0.118")	24.00	3.30	RP030-0240-4	<i>Pins - Roll - Stainless Steel - 300 Grade</i>	Material: 304 Stainless
3.00 (0.118")	24.00	3.30	RP030-0240-420	<i>Pins - Roll - Stainless Steel - 420 Grade</i>	Material: 420 Stainless Steel Rc 46-52
3.00 (0.118")	24.00	3.30	** RP030-0240-C	<i>Pins - Roll - Carbon Steel</i>	Material: Carbon Steel CS70
3.00 (0.118")	24.00	3.30	RP030-0240-A-C	<i>Pins - Roll - Carbon Steel</i>	Material: Carbon Steel CS70
3.00 (0.118")	24.00	3.30	RP030-0240-Z	<i>Pins - Roll - Zinc Plated</i>	Material: Zinc Plated Carbon Spring Steel
3.00 (0.118")	26.00	3.30	RP030-0260-4	<i>Pins - Roll - Stainless Steel - 300 Grade</i>	Material: 304 Stainless
3.00 (0.118")	26.00	3.30	* RP030-0260-420	<i>Pins - Roll - Stainless Steel - 420 Grade</i>	Material: 420 Stainless Steel Rc 46-52
3.00 (0.118")	26.00	3.30	RP030-0260-A-C	<i>Pins - Roll - Carbon Steel</i>	Material: Carbon Steel CS70
3.00 (0.118")	26.00	3.30	** RP030-0260-C	<i>Pins - Roll - Carbon Steel</i>	Material: Carbon Steel CS70
3.00 (0.118")	26.00	3.30	RP030-0260-Z	<i>Pins - Roll - Zinc Plated</i>	Material: Zinc Plated Carbon Spring Steel
3.00 (0.118")	28.00	3.30	RP030-0280-4	<i>Pins - Roll - Stainless Steel - 300 Grade</i>	Material: 304 Stainless
3.00 (0.118")	28.00	3.30	* RP030-0280-C	<i>Pins - Roll - Carbon Steel</i>	Material: Carbon Steel CS70
3.00 (0.118")	28.00	3.30	RP030-0280-Z	<i>Pins - Roll - Zinc Plated</i>	Material: Zinc Plated Carbon Spring Steel
3.00 (0.118")	30.00	3.30	RP030-0300-4	<i>Pins - Roll - Stainless Steel - 300 Grade</i>	Material: 304 Stainless
3.00 (0.118")	30.00	3.30	* RP030-0300-C	<i>Pins - Roll - Carbon Steel</i>	Material: Carbon Steel CS70
3.00 (0.118")	30.00	3.30	RP030-0300-A-C	<i>Pins - Roll - Carbon Steel</i>	Material: Carbon Steel CS70
3.00 (0.118")	30.00	3.30	RP030-0300-Z	<i>Pins - Roll - Zinc Plated</i>	Material: Zinc Plated Carbon Spring Steel
3.00 (0.118")	32.00	3.30	RP030-0320-4	<i>Pins - Roll - Stainless Steel - 300 Grade</i>	Material: 304 Stainless
3.00 (0.118")	32.00	3.30	* RP030-0320-C	<i>Pins - Roll - Carbon Steel</i>	Material: Carbon Steel CS70
3.00 (0.118")	32.00	3.30	RP030-0320-A-C	<i>Pins - Roll - Carbon Steel</i>	Material: Carbon Steel CS70
3.00 (0.118")	32.00	3.30	* RP030-0320-Z	<i>Pins - Roll - Zinc Plated</i>	Material: Zinc Plated Carbon Spring Steel
3.00 (0.118")	35.00	3.30	RP030-0350-4	<i>Pins - Roll - Stainless Steel - 300 Grade</i>	Material: 304 Stainless PV
3.00 (0.118")	36.00	3.30	RP030-0360-C	<i>Pins - Roll - Carbon Steel</i>	Material: Carbon Steel CS70
3.00 (0.118")	36.00	3.30	* RP030-0360-Z	<i>Pins - Roll - Zinc Plated</i>	Material: Zinc Plated Carbon Spring Steel
3.00 (0.118")	40.00	3.30	RP030-0400-4	<i>Pins - Roll - Stainless Steel - 300 Grade</i>	Material: 304 Stainless
3.00 (0.118")	40.00	3.30	RP030-0400-A-C	<i>Pins - Roll - Carbon Steel</i>	Material: Carbon Steel CS70
3.00 (0.118")	40.00	3.30	** RP030-0400-C	<i>Pins - Roll - Carbon Steel</i>	Material: Carbon Steel CS70
3.00 (0.118")	40.00	3.30	* RP030-0400-Z	<i>Pins - Roll - Zinc Plated</i>	Material: Zinc Plated Carbon Spring Steel
3.00 (0.118")	45.00	3.30	RP030-0450-A-C	<i>Pins - Roll - Carbon Steel</i>	Material: Carbon Steel CS70



Stocked or Short Delivery



Usually Available Short Delivery



Long delivery or not in current production

\* Large Minimum Quantities

\*\* Available only while stock lasts

# Roll Pins

Nominal Diameter (D) mm (inches)	Length (L) mm	Free Diameter mm	Part Number		
3.00 (0.118")	45.00	3.30	* RP030-0450-C	<i>Pins - Roll - Carbon Steel</i>	Material: Carbon Steel CS70
3.00 (0.118")	45.00	3.30	* RP030-0450-Z	<i>Pins - Roll - Zinc Plated</i>	Material: Zinc Plated Carbon Spring Steel
3.00 (0.118")	50.00	3.30	<b>RP030-0500-C</b>	<i>Pins - Roll - Carbon Steel</i>	Material: Carbon Steel CS70
3.00 (0.118")	50.00	3.30	* RP030-0500-Z	<i>Pins - Roll - Zinc Plated</i>	Material: Zinc Plated Carbon Spring Steel
3.18 (0.125")	6.35	3.50	<b>RP032-0064-C</b>	<i>Pins - Roll - Carbon Steel</i>	Material: Carbon Spring Steel
3.18 (0.125")	6.40	3.50	* RP032-0064-420	<i>Pins - Roll - Stainless Steel - 420 Grade</i>	Material: 420 Stainless Steel Rc 46-52
3.18 (0.125")	6.40	3.50	<b>RP032-0064-Z</b>	<i>Pins - Roll - Zinc Plated</i>	Material: Zinc Plated Carbon Spring Steel
3.18 (0.125")	7.90	3.50	<b>RP032-0079-Z</b>	<i>Pins - Roll - Zinc Plated</i>	Material: Zinc Plated Carbon Spring Steel
3.18 (0.125")	7.92	3.50	<b>RP032-0079-C</b>	<i>Pins - Roll - Carbon Steel</i>	Material: Carbon Spring Steel
3.18 (0.125")	9.50	3.50	<b>RP032-0095-420</b>	<i>Pins - Roll - Stainless Steel - 420 Grade</i>	Material: 420 Stainless Steel Rc 46-52
3.18 (0.125")	9.50	3.50	<b>RP032-0095-Z</b>	<i>Pins - Roll - Zinc Plated</i>	Material: Zinc Plated Carbon Spring Steel
3.18 (0.125")	9.53	3.50	<b>RP032-0095-C</b>	<i>Pins - Roll - Carbon Steel</i>	Material: Carbon Spring Steel
3.18 (0.125")	11.10	3.50	<b>RP032-0111-C</b>	<i>Pins - Roll - Carbon Steel</i>	Material: Carbon Spring Steel
3.18 (0.125")	11.10	3.50	* RP032-0111-420	<i>Pins - Roll - Stainless Steel - 420 Grade</i>	Material: 420 Stainless Steel Rc 46-52
3.18 (0.125")	11.10	3.50	<b>RP032-0111-Z</b>	<i>Pins - Roll - Zinc Plated</i>	Material: Zinc Plated Carbon Spring Steel
3.18 (0.125")	12.70	3.50	RP032-0127-420	<i>Pins - Roll - Stainless Steel - 420 Grade</i>	Material: 420 Stainless Steel Rc 46-52
3.18 (0.125")	12.70	3.50	<b>RP032-0127-C</b>	<i>Pins - Roll - Carbon Steel</i>	Material: Carbon Spring Steel
3.18 (0.125")	12.70	3.50	<b>RP032-0127-Z</b>	<i>Pins - Roll - Zinc Plated</i>	Material: Zinc Plated Carbon Spring Steel
3.18 (0.125")	14.27	3.50	<b>RP032-0143-C</b>	<i>Pins - Roll - Carbon Steel</i>	Material: Carbon Spring Steel
3.18 (0.125")	14.30	3.50	** RP032-0143-420	<i>Pins - Roll - Stainless Steel - 420 Grade</i>	Material: 420 Stainless Steel Rc 46-52
3.18 (0.125")	14.30	3.50	<b>RP032-0143-Z</b>	<i>Pins - Roll - Zinc Plated</i>	Material: Zinc Plated Carbon Spring Steel
3.18 (0.125")	15.88	3.50	<b>RP032-0159-C</b>	<i>Pins - Roll - Carbon Steel</i>	Material: Carbon Spring Steel
3.18 (0.125")	15.90	3.50	<b>RP032-0159-420</b>	<i>Pins - Roll - Stainless Steel - 420 Grade</i>	Material: 420 Stainless Steel Rc 46-52
3.18 (0.125")	15.90	3.50	<b>RP032-0159-Z</b>	<i>Pins - Roll - Zinc Plated</i>	Material: Zinc Plated Carbon Spring Steel
3.18 (0.125")	17.45	3.50	<b>RP032-0174-C</b>	<i>Pins - Roll - Carbon Steel</i>	Material: Carbon Spring Steel
3.18 (0.125")	17.50	3.50	** RP032-0175-420	<i>Pins - Roll - Stainless Steel - 420 Grade</i>	Material: 420 Stainless Steel Rc 46-52
3.18 (0.125")	17.50	3.50	* RP032-0175-C	<i>Pins - Roll - Carbon Steel</i>	Material: Carbon Spring Steel
3.18 (0.125")	17.50	3.50	<b>RP032-0175-Z</b>	<i>Pins - Roll - Zinc Plated</i>	Material: Zinc Plated Carbon Spring Steel
3.18 (0.125")	19.05	3.50	<b>RP032-0191-C</b>	<i>Pins - Roll - Carbon Steel</i>	Material: Carbon Spring Steel
3.18 (0.125")	19.10	3.50	RP032-0191-420	<i>Pins - Roll - Stainless Steel - 420 Grade</i>	Material: 420 Stainless Steel Rc 46-52
3.18 (0.125")	19.10	3.50	<b>RP032-0191-Z</b>	<i>Pins - Roll - Zinc Plated</i>	Material: Zinc Plated Carbon Spring Steel



Stocked or Short Delivery



Usually Available Short Delivery



Long delivery or not in current production

\* Large Minimum Quantities

\*\* Available only while stock lasts

# Roll Pins

Nominal Diameter (D) mm (inches)	Length (L) mm	Free Diameter mm	Part Number	
3.18 (0.125")	20.60	3.50	RP032-0206-420	<i>Pins - Roll - Stainless Steel - 420 Grade</i> Material: 420 Stainless Steel Rc 46-52
3.18 (0.125")	20.60	3.50	RP032-0206-Z	<i>Pins - Roll - Zinc Plated</i> Material: Zinc Plated Carbon Spring Steel
3.18 (0.125")	20.62	3.50	RP032-0206-C	<i>Pins - Roll - Carbon Steel</i> Material: Carbon Spring Steel
3.18 (0.125")	22.20	3.50	RP032-0222-420	<i>Pins - Roll - Stainless Steel - 420 Grade</i> Material: 420 Stainless Steel Rc 46-52
3.18 (0.125")	22.20	3.50	RP032-0222-Z	<i>Pins - Roll - Zinc Plated</i> Material: Zinc Plated Carbon Spring Steel
3.18 (0.125")	22.23	3.50	RP032-0222-C	<i>Pins - Roll - Carbon Steel</i> Material: Carbon Spring Steel
3.18 (0.125")	23.80	3.50	RP032-0238-C	<i>Pins - Roll - Carbon Steel</i> Material: Carbon Spring Steel
3.18 (0.125")	23.80	3.50	RP032-0238-420	<i>Pins - Roll - Stainless Steel - 420 Grade</i> Material: 420 Stainless Steel Rc 46-52
3.18 (0.125")	23.80	3.50	RP032-0238-Z	<i>Pins - Roll - Zinc Plated</i> Material: Zinc Plated Carbon Spring Steel
3.18 (0.125")	25.40	3.50	RP032-0254-420	<i>Pins - Roll - Stainless Steel - 420 Grade</i> Material: 420 Stainless Steel Rc 46-52
3.18 (0.125")	25.40	3.50	RP032-0254-C	<i>Pins - Roll - Carbon Steel</i> Material: Carbon Spring Steel
3.18 (0.125")	25.40	3.50	RP032-0254-Z	<i>Pins - Roll - Zinc Plated</i> Material: Zinc Plated Carbon Spring Steel
3.18 (0.125")	28.58	3.50	RP032-0286-C	<i>Pins - Roll - Carbon Steel</i> Material: Carbon Spring Steel
3.18 (0.125")	28.60	3.50	* RP032-0286-420	<i>Pins - Roll - Stainless Steel - 420 Grade</i> Material: 420 Stainless Steel Rc 46-52
3.18 (0.125")	28.60	3.50	RP032-0286-Z	<i>Pins - Roll - Zinc Plated</i> Material: Zinc Plated Carbon Spring Steel
3.18 (0.125")	31.75	3.50	RP032-0318-C	<i>Pins - Roll - Carbon Steel</i> Material: Carbon Spring Steel
3.18 (0.125")	31.80	3.50	** RP032-0318-420	<i>Pins - Roll - Stainless Steel - 420 Grade</i> Material: 420 Stainless Steel Rc 46-52
3.18 (0.125")	31.80	3.50	RP032-0318-Z	<i>Pins - Roll - Zinc Plated</i> Material: Zinc Plated Carbon Spring Steel
3.18 (0.125")	34.90	3.50	RP032-0349-420	<i>Pins - Roll - Stainless Steel - 420 Grade</i> Material: 420 Stainless Steel Rc 46-52
3.18 (0.125")	34.90	3.50	RP032-0349-Z	<i>Pins - Roll - Zinc Plated</i> Material: Zinc Plated Carbon Spring Steel
3.18 (0.125")	34.93	3.50	RP032-0349-C	<i>Pins - Roll - Carbon Steel</i> Material: Carbon Spring Steel
3.18 (0.125")	38.10	3.50	RP032-0381-420	<i>Pins - Roll - Stainless Steel - 420 Grade</i> Material: 420 Stainless Steel Rc 46-52
3.18 (0.125")	38.10	3.50	RP032-0381-C	<i>Pins - Roll - Carbon Steel</i> Material: Carbon Spring Steel
3.18 (0.125")	38.10	3.50	RP032-0381-Z	<i>Pins - Roll - Zinc Plated</i> Material: Zinc Plated Carbon Spring Steel
3.18 (0.125")	41.28	3.50	RP032-0413-C	<i>Pins - Roll - Carbon Steel</i> Material: Carbon Spring Steel
3.18 (0.125")	41.30	3.50	RP032-0413-Z	<i>Pins - Roll - Zinc Plated</i> Material: Zinc Plated Carbon Spring Steel
3.18 (0.125")	44.45	3.50	RP032-0445-C	<i>Pins - Roll - Carbon Steel</i> Material: Carbon Spring Steel
3.18 (0.125")	44.50	3.50	RP032-0445-Z	<i>Pins - Roll - Zinc Plated</i> Material: Zinc Plated Carbon Spring Steel
3.18 (0.125")	47.60	3.50	RP032-0476-Z	<i>Pins - Roll - Zinc Plated</i> Material: Zinc Plated Carbon Spring Steel
3.18 (0.125")	47.63	3.50	RP032-0476-C	<i>Pins - Roll - Carbon Steel</i> Material: Carbon Spring Steel
3.18 (0.125")	50.80	3.50	** RP032-0508-420	<i>Pins - Roll - Stainless Steel - 420 Grade</i> Material: 420 Stainless Steel Rc 46-52



Stocked or Short Delivery



Usually Available Short Delivery



Long delivery or not in current production

\* Large Minimum Quantities

\*\* Available only while stock lasts

# Roll Pins

Nominal Diameter (D) mm (inches)	Length (L) mm	Free Diameter mm	Part Number		
3.18 (0.125")	50.80	3.50	RP032-0508-C	Pins - Roll - Carbon Steel	Material: Carbon Spring Steel
3.18 (0.125")	50.80	3.50	* RP032-0508-Z	Pins - Roll - Carbon Steel	Material: Carbon Spring Steel
3.18 (0.125")	57.15	3.50	RP032-0572-C	Pins - Roll - Carbon Steel	Material: Carbon Spring Steel
3.18 (0.125")	63.50	3.50	RP032-0635-C	Pins - Roll - Carbon Steel	Material: Carbon Spring Steel
3.18 (0.125")	76.20	3.50	RP032-0762-C	Pins - Roll - Carbon Steel	Material: Carbon Spring Steel
3.50 (0.138")	12.00	3.85	RP035-0120-C	Pins - Roll - Carbon Steel	Material: Carbon Steel CS70
3.50 (0.138")	16.00	3.85	* RP035-0160-C	Pins - Roll - Carbon Steel	
3.56 (0.140")	12.70	3.92	RP036-0127-C	Pins - Roll - Carbon Steel	Material: Carbon Spring Steel
3.56 (0.140")	19.05	3.92	RP036-0191-C	Pins - Roll - Carbon Steel	Material: Carbon Spring Steel
3.56 (0.140")	25.40	3.92	RP036-0254-C	Pins - Roll - Carbon Steel	Material: Carbon Spring Steel
3.97 (0.156")	7.92	4.37	RP039-0079-C	Pins - Roll - Carbon Steel	Material: Carbon Spring Steel
3.97 (0.156")	9.50	4.37	RP039-0095-Z	Pins - Roll - Zinc Plated	Material: Zinc Plated Carbon Spring Steel
3.97 (0.156")	9.53	4.37	RP039-0095-C	Pins - Roll - Carbon Steel	Material: Carbon Spring Steel
3.97 (0.156")	11.10	4.37	RP039-0111-C	Pins - Roll - Carbon Steel	Material: Carbon Spring Steel
3.97 (0.156")	11.10	4.37	RP039-0111-420	Pins - Roll - Stainless Steel - 420 Grade	Material: 420 Stainless Steel Rc 46-52
3.97 (0.156")	11.10	4.37	RP039-0111-Z	Pins - Roll - Zinc Plated	Material: Zinc Plated Carbon Spring Steel
3.97 (0.156")	12.70	4.37	** RP039-0127-420	Pins - Roll - Stainless Steel - 420 Grade	Material: 420 Stainless Steel Rc 46-52
3.97 (0.156")	12.70	4.37	RP039-0127-C	Pins - Roll - Carbon Steel	Material: Carbon Spring Steel
3.97 (0.156")	12.70	4.37	RP039-0127-Z	Pins - Roll - Zinc Plated	Material: Zinc Plated Carbon Spring Steel
3.97 (0.156")	14.27	4.37	RP039-0143-C	Pins - Roll - Carbon Steel	Material: Carbon Spring Steel
3.97 (0.156")	14.30	4.37	RP039-0143-420	Pins - Roll - Stainless Steel - 420 Grade	Material: 420 Stainless Steel Rc 46-52
3.97 (0.156")	14.30	4.37	RP039-0143-Z	Pins - Roll - Zinc Plated	Material: Zinc Plated Carbon Spring Steel
3.97 (0.156")	15.88	4.37	RP039-0159-C	Pins - Roll - Carbon Steel	Material: Carbon Spring Steel
3.97 (0.156")	15.90	4.37	* RP039-0159-420	Pins - Roll - Stainless Steel - 420 Grade	Material: 420 Stainless Steel Rc 46-52
3.97 (0.156")	15.90	4.37	RP039-0159-Z	Pins - Roll - Zinc Plated	Material: Zinc Plated Carbon Spring Steel
3.97 (0.156")	17.45	4.37	RP039-0174-C	Pins - Roll - Carbon Steel	Material: Carbon Spring Steel
3.97 (0.156")	17.50	4.37	* RP039-0175-420	Pins - Roll - Stainless Steel - 420 Grade	Material: 420 Stainless Steel Rc 46-52
3.97 (0.156")	17.50	4.37	* RP039-0175-C	Pins - Roll - Carbon Steel	Material: Carbon Spring Steel
3.97 (0.156")	17.50	4.37	RP039-0175-Z	Pins - Roll - Zinc Plated	Material: Zinc Plated Carbon Spring Steel
3.97 (0.156")	19.05	4.37	RP039-0191-C	Pins - Roll - Carbon Steel	Material: Carbon Spring Steel
3.97 (0.156")	19.10	4.37	** RP039-0191-420	Pins - Roll - Stainless Steel - 420 Grade	Material: 420 Stainless Steel Rc 46-52

Stocked or Short Delivery

Usually Available Short Delivery

Long delivery or not in current production

\* Large Minimum Quantities

\*\* Available only while stock lasts

# Roll Pins

Nominal Diameter (D) mm (inches)	Length (L) mm	Free Diameter mm	Part Number	
3.97 (0.156")	19.10	4.37	RP039-0191-Z	Pins - Roll - Zinc Plated Material: Zinc Plated Carbon Spring Steel
3.97 (0.156")	20.60	4.37	* RP039-0206-420	Pins - Roll - Stainless Steel - 420 Grade Material: 420 Stainless Steel Rc 46-52
3.97 (0.156")	20.60	4.37	* RP039-0206-C	Pins - Roll - Carbon Steel Material: Carbon Spring Steel
3.97 (0.156")	20.60	4.37	* RP039-0206-Z	Pins - Roll - Zinc Plated Material: Zinc Plated Carbon Spring Steel
3.97 (0.156")	22.20	4.37	RP039-0222-420	Pins - Roll - Stainless Steel - 420 Grade Material: 420 Stainless Steel Rc 46-52
3.97 (0.156")	22.20	4.37	RP039-0222-Z	Pins - Roll - Zinc Plated Material: Zinc Plated Carbon Spring Steel
3.97 (0.156")	22.23	4.37	RP039-0222-C	Pins - Roll - Carbon Steel Material: Carbon Spring Steel
3.97 (0.156")	23.80	4.37	RP039-0238-C	Pins - Roll - Carbon Steel Material: Carbon Spring Steel
3.97 (0.156")	23.80	4.37	* RP039-0238-420	Pins - Roll - Stainless Steel - 420 Grade Material: 420 Stainless Steel Rc 46-52
3.97 (0.156")	23.80	4.37	RP039-0238-Z	Pins - Roll - Zinc Plated Material: Zinc Plated Carbon Spring Steel
3.97 (0.156")	25.40	4.37	RP039-0254-420	Pins - Roll - Stainless Steel - 420 Grade Material: 420 Stainless Steel Rc 46-52
3.97 (0.156")	25.40	4.37	RP039-0254-C	Pins - Roll - Carbon Steel Material: Carbon Spring Steel
3.97 (0.156")	25.40	4.37	RP039-0254-Z	Pins - Roll - Zinc Plated Material: Zinc Plated Carbon Spring Steel
3.97 (0.156")	28.58	4.37	RP039-0286-C	Pins - Roll - Carbon Steel Material: Carbon Spring Steel
3.97 (0.156")	28.60	4.37	* RP039-0286-420	Pins - Roll - Stainless Steel - 420 Grade Material: 420 Stainless Steel Rc 46-52
3.97 (0.156")	28.60	4.37	RP039-0286-Z	Pins - Roll - Zinc Plated Material: Zinc Plated Carbon Spring Steel
3.97 (0.156")	30.20	4.37	* RP039-0302-Z	Pins - Roll - Zinc Plated Material: Zinc Plated Carbon Spring Steel
3.97 (0.156")	31.75	4.37	RP039-0318-C	Pins - Roll - Carbon Steel Material: Carbon Spring Steel
3.97 (0.156")	31.80	4.37	RP039-0318-420	Pins - Roll - Stainless Steel - 420 Grade Material: 420 Stainless Steel Rc 46-52
3.97 (0.156")	31.80	4.37	RP039-0318-Z	Pins - Roll - Zinc Plated Material: Zinc Plated Carbon Spring Steel
3.97 (0.156")	33.40	4.37	* RP039-0334-Z	Pins - Roll - Zinc Plated Material: Zinc Plated Carbon Spring Steel
3.97 (0.156")	34.90	4.37	RP039-0349-420	Pins - Roll - Stainless Steel - 420 Grade Material: 420 Stainless Steel Rc 46-52
3.97 (0.156")	34.90	4.37	RP039-0349-C	Pins - Roll - Carbon Steel Material: Carbon Spring Steel
3.97 (0.156")	34.90	4.37	RP039-0349-Z	Pins - Roll - Zinc Plated Material: Zinc Plated Carbon Spring Steel
3.97 (0.156")	38.10	4.37	* RP039-0381-420	Pins - Roll - Stainless Steel - 420 Grade Material: 420 Stainless Steel Rc 46-52
3.97 (0.156")	38.10	4.37	RP039-0381-C	Pins - Roll - Carbon Steel Material: Carbon Spring Steel
3.97 (0.156")	38.10	4.37	RP039-0381-Z	Pins - Roll - Zinc Plated Material: Zinc Plated Carbon Spring Steel
3.97 (0.156")	41.28	4.37	RP039-0413-C	Pins - Roll - Carbon Steel Material: Carbon Spring Steel
3.97 (0.156")	41.30	4.37	RP039-0413-Z	Pins - Roll - Zinc Plated Material: Zinc Plated Carbon Spring Steel
3.97 (0.156")	44.45	4.37	RP039-0445-C	Pins - Roll - Carbon Steel Material: Carbon Spring Steel
3.97 (0.156")	44.50	4.37	RP039-0445-Z	Pins - Roll - Zinc Plated Material: Zinc Plated Carbon Spring Steel



Stocked or Short Delivery



Usually Available Short Delivery



Long delivery or not in current production

\* Large Minimum Quantities

\*\* Available only while stock lasts

# Roll Pins

Nominal Diameter (D) mm (inches)	Length (L) mm	Free Diameter mm	Part Number		
3.97 (0.156")	47.60	4.37	RP039-0476-Z	Pins - Roll - Zinc Plated	Material: Zinc Plated Carbon Spring Steel
3.97 (0.156")	47.63	4.37	RP039-0476-C	Pins - Roll - Carbon Steel	Material: Carbon Spring Steel
3.97 (0.156")	50.80	4.37	RP039-0508-C	Pins - Roll - Carbon Steel	Material: Carbon Spring Steel
3.97 (0.156")	50.80	4.37	RP039-0508-Z	Pins - Roll - Zinc Plated	Material: Zinc Plated Carbon Spring Steel
3.97 (0.156")	57.15	4.37	RP039-0572-C	Pins - Roll - Carbon Steel	Material: Carbon Spring Steel
3.97 (0.156")	57.20	4.37	RP039-0572-Z	Pins - Roll - Zinc Plated	Material: Zinc Plated Carbon Spring Steel
3.97 (0.156")	63.50	4.37	RP039-0635-C	Pins - Roll - Carbon Steel	Material: Carbon Spring Steel
3.97 (0.156")	63.50	4.37	RP039-0635-Z	Pins - Roll - Zinc Plated	Material: Zinc Plated Carbon Spring Steel
4.00 (0.157")	6.00	4.40	RP040-0060-4	Pins - Roll - Stainless Steel - 300 Grade	Material: 304 Stainless
4.00 (0.157")	6.00	4.40	* RP040-0060-C	Pins - Roll - Carbon Steel	Material: Carbon Steel CS70
4.00 (0.157")	8.00	4.40	RP040-0080-4	Pins - Roll - Stainless Steel - 300 Grade	Material: 304 Stainless
4.00 (0.157")	8.00	4.40	RP040-0080-C	Pins - Roll - Carbon Steel	Material: Carbon Steel CS70
4.00 (0.157")	8.00	4.40	RP040-0080-Z	Pins - Roll - Zinc Plated	Material: Zinc Plated Carbon Spring Steel
4.00 (0.157")	10.00	4.40	RP040-0100-4	Pins - Roll - Stainless Steel - 300 Grade	Material: 304 Stainless
4.00 (0.157")	10.00	4.40	* RP040-0100-420	Pins - Roll - Stainless Steel - 420 Grade	Material: 420 Stainless Steel Rc 46-52
4.00 (0.157")	10.00	4.40	* RP040-0100-C	Pins - Roll - Carbon Steel	Material: Carbon Steel CS70
4.00 (0.157")	10.00	4.40	RP040-0100-Z	Pins - Roll - Zinc Plated	Material: Zinc Plated Carbon Spring Steel
4.00 (0.157")	12.00	4.40	RP040-0120-4	Pins - Roll - Stainless Steel - 300 Grade	Material: 304 Stainless
4.00 (0.157")	12.00	4.40	** RP040-0120-420	Pins - Roll - Stainless Steel - 420 Grade	Material: 420 Stainless Steel Rc 46-52
4.00 (0.157")	12.00	4.40	RP040-0120-C	Pins - Roll - Carbon Steel	Material: Carbon Steel CS70
4.00 (0.157")	12.00	4.40	RP040-0120-A-C	Pins - Roll - Carbon Steel	Material: Carbon Steel CS70
4.00 (0.157")	12.00	4.40	RP040-0120-Z	Pins - Roll - Zinc Plated	Material: Zinc Plated Carbon Spring Steel
4.00 (0.157")	14.00	4.40	RP040-0140-4	Pins - Roll - Stainless Steel - 300 Grade	Material: 304 Stainless
4.00 (0.157")	14.00	4.40	RP040-0140-420	Pins - Roll - Stainless Steel - 420 Grade	Material: 420 Stainless Steel Rc 46-52
4.00 (0.157")	14.00	4.40	RP040-0140-C	Pins - Roll - Carbon Steel	Material: Carbon Steel CS70
4.00 (0.157")	14.00	4.40	RP040-0140-Z	Pins - Roll - Zinc Plated	Material: Zinc Plated Carbon Spring Steel
4.00 (0.157")	16.00	4.40	RP040-0160-4	Pins - Roll - Stainless Steel - 300 Grade	Material: 304 Stainless
4.00 (0.157")	16.00	4.40	* RP040-0160-420	Pins - Roll - Stainless Steel - 420 Grade	Material: 420 Stainless Steel Rc 46-52
4.00 (0.157")	16.00	4.40	RP040-0160-C	Pins - Roll - Carbon Steel	Material: Carbon Steel CS70
4.00 (0.157")	16.00	4.40	RP040-0160-A-C	Pins - Roll - Carbon Steel	Material: Carbon Steel CS70
4.00 (0.157")	16.00	4.40	RP040-0160-Z	Pins - Roll - Zinc Plated	Material: Zinc Plated Carbon Spring Steel



Stocked or Short Delivery



Usually Available Short Delivery



Long delivery or not in current production

\* Large Minimum Quantities

\*\* Available only while stock lasts

# Roll Pins

Nominal Diameter (D) mm (inches)	Length (L) mm	Free Diameter mm	Part Number	
4.00 (0.157")	18.00	4.40	** RP040-0180-4	Pins - Roll - Stainless Steel - 300 Grade Material: 304 Stainless
4.00 (0.157")	18.00	4.40	* RP040-0180-420	Pins - Roll - Stainless Steel - 420 Grade Material: 420 Stainless Steel Rc 46-52
4.00 (0.157")	18.00	4.40	* RP040-0180-C	Pins - Roll - Carbon Steel Material: Carbon Steel CS70
4.00 (0.157")	18.00	4.40	RP040-0180-Z	Pins - Roll - Zinc Plated Material: Zinc Plated Carbon Spring Steel
4.00 (0.157")	20.00	4.40	RP040-0200-4	Pins - Roll - Stainless Steel - 300 Grade Material: 304 Stainless
4.00 (0.157")	20.00	4.40	* RP040-0200-420	Pins - Roll - Stainless Steel - 420 Grade Material: 420 Stainless Steel Rc 46-52
4.00 (0.157")	20.00	4.40	* RP040-0200-C	Pins - Roll - Carbon Steel Material: Carbon Steel CS70
4.00 (0.157")	20.00	4.40	RP040-0200-A-C	Pins - Roll - Carbon Steel Material: Carbon Steel CS70
4.00 (0.157")	20.00	4.40	RP040-0200-Z	Pins - Roll - Zinc Plated Material: Zinc Plated Carbon Spring Steel
4.00 (0.157")	22.00	4.40	RP040-0220-4	Pins - Roll - Stainless Steel - 300 Grade Material: 304 Stainless
4.00 (0.157")	22.00	4.40	* RP040-0220-420	Pins - Roll - Stainless Steel - 420 Grade Material: 420 Stainless Steel Rc 46-52
4.00 (0.157")	22.00	4.40	RP040-0220-A-C	Pins - Roll - Carbon Steel Material: Carbon Steel CS70
4.00 (0.157")	22.00	4.40	* RP040-0220-C	Pins - Roll - Carbon Steel Material: Carbon Steel CS70
4.00 (0.157")	22.00	4.40	RP040-0220-Z	Pins - Roll - Zinc Plated Material: Zinc Plated Carbon Spring Steel
4.00 (0.157")	24.00	4.40	** RP040-0240-4	Pins - Roll - Stainless Steel - 300 Grade Material: 304 Stainless
4.00 (0.157")	24.00	4.40	* RP040-0240-420	Pins - Roll - Stainless Steel - 420 Grade Material: 420 Stainless Steel Rc 46-52
4.00 (0.157")	24.00	4.40	* RP040-0240-C	Pins - Roll - Carbon Steel Material: Carbon Steel CS70
4.00 (0.157")	24.00	4.40	RP040-0240-A-C	Pins - Roll - Carbon Steel Material: Carbon Steel CS70
4.00 (0.157")	24.00	4.40	RP040-0240-Z	Pins - Roll - Zinc Plated Material: Zinc Plated Carbon Spring Steel
4.00 (0.157")	26.00	4.40	RP040-0260-4	Pins - Roll - Stainless Steel - 300 Grade Material: 304 Stainless
4.00 (0.157")	26.00	4.40	* RP040-0260-420	Pins - Roll - Stainless Steel - 420 Grade Material: 420 Stainless Steel Rc 46-52
4.00 (0.157")	26.00	4.40	* RP040-0260-C	Pins - Roll - Carbon Steel Material: Carbon Steel CS70
4.00 (0.157")	26.00	4.40	RP040-0260-Z	Pins - Roll - Zinc Plated Material: Zinc Plated Carbon Spring Steel
4.00 (0.157")	28.00	4.40	RP040-0280-4	Pins - Roll - Stainless Steel - 300 Grade Material: 304 Stainless
4.00 (0.157")	28.00	4.40	* RP040-0280-420	Pins - Roll - Stainless Steel - 420 Grade Material: 420 Stainless Steel Rc 46-52
4.00 (0.157")	28.00	4.40	RP040-0280-A-C	Pins - Roll - Carbon Steel Material: Carbon Steel CS70
4.00 (0.157")	28.00	4.40	* RP040-0280-C	Pins - Roll - Carbon Steel Material: Carbon Steel CS70
4.00 (0.157")	28.00	4.40	RP040-0280-Z	Pins - Roll - Zinc Plated Material: Zinc Plated Carbon Spring Steel
4.00 (0.157")	30.00	4.40	RP040-0300-4	Pins - Roll - Stainless Steel - 300 Grade Material: 304 Stainless
4.00 (0.157")	30.00	4.40	** RP040-0300-420	Pins - Roll - Stainless Steel - 420 Grade Material: 420 Stainless Steel Rc 46-52
4.00 (0.157")	30.00	4.40	RP040-0300-A-C	Pins - Roll - Carbon Steel Material: Carbon Steel CS70



Stocked or Short Delivery



Usually Available Short Delivery



Long delivery or not in current production

\* Large Minimum Quantities

\*\* Available only while stock lasts



# Roll Pins

Nominal Diameter (D) mm (inches)	Length (L) mm	Free Diameter mm	Part Number		
4.00 (0.157")	30.00	4.40	RP040-0300-C	Pins - Roll - Carbon Steel	Material: Carbon Steel CS70
4.00 (0.157")	30.00	4.40	RP040-0300-Z	Pins - Roll - Zinc Plated	Material: Zinc Plated Carbon Spring Steel
4.00 (0.157")	32.00	4.40	RP040-0320-C	Pins - Roll - Carbon Steel	Material: Carbon Steel CS70
4.00 (0.157")	32.00	4.40	RP040-0320-Z	Pins - Roll - Zinc Plated	Material: Zinc Plated Carbon Spring Steel
4.00 (0.157")	35.00	4.40	RP040-0350-4	Pins - Roll - Stainless Steel - 300 Grade	Material: 304 Stainless
4.00 (0.157")	35.00	4.40	RP040-0350-A-C	Pins - Roll - Carbon Steel	Material: Carbon Steel CS70
4.00 (0.157")	36.00	4.40	RP040-0360-C	Pins - Roll - Carbon Steel	Material: Carbon Steel CS70
4.00 (0.157")	36.00	4.40	RP040-0360-Z	Pins - Roll - Zinc Plated	Material: Zinc Plated Carbon Spring Steel
4.00 (0.157")	40.00	4.40	RP040-0400-4	Pins - Roll - Stainless Steel - 300 Grade	Material: 304 Stainless
4.00 (0.157")	40.00	4.40	RP040-0400-420	Pins - Roll - Stainless Steel - 420 Grade	Material: 420 Stainless
4.00 (0.157")	40.00	4.40	RP040-0400-C	Pins - Roll - Carbon Steel	Material: Carbon Steel CS70
4.00 (0.157")	40.00	4.40	RP040-0400-A-C	Pins - Roll - Carbon Steel	Material: Carbon Steel CS70
4.00 (0.157")	40.00	4.40	RP040-0400-Z	Pins - Roll - Zinc Plated	Material: Zinc Plated Carbon Spring Steel
4.00 (0.157")	45.00	4.40	RP040-0450-4	Pins - Roll - Stainless Steel - 300 Grade	Material: 304 Stainless
4.00 (0.157")	45.00	4.40	* RP040-0450-C	Pins - Roll - Carbon Steel	Material: Carbon Steel CS70
4.00 (0.157")	45.00	4.40	RP040-0450-Z	Pins - Roll - Zinc Plated	Material: Zinc Plated Carbon Spring Steel
4.00 (0.157")	50.00	4.40	RP040-0500-4	Pins - Roll - Stainless Steel - 300 Grade	Material: 304 Stainless
4.00 (0.157")	50.00	4.40	RP040-0500-C	Pins - Roll - Carbon Steel	Material: Carbon Steel CS70
4.00 (0.157")	50.00	4.40	RP040-0500-Z	Pins - Roll - Zinc Plated	Material: Zinc Plated Carbon Spring Steel
4.00 (0.157")	55.00	4.40	RP040-0550-Z	Pins - Roll - Zinc Plated	Material: Zinc Plated Carbon Spring Steel
4.00 (0.157")	60.00	4.40	RP040-0600-Z	Pins - Roll - Zinc Plated	Material: Zinc Plated Carbon Spring Steel
4.76 (0.187")	9.50	5.24	RP048-0095-Z	Pins - Roll - Zinc Plated	Material: Zinc Plated Carbon Spring Steel
4.76 (0.187")	9.53	5.24	RP048-0095-C	Pins - Roll - Carbon Steel	Material: Carbon Spring Steel
4.76 (0.187")	11.10	5.24	RP048-0111-C	Pins - Roll - Carbon Steel	Material: Carbon Spring Steel
4.76 (0.187")	11.10	5.24	RP048-0111-Z	Pins - Roll - Zinc Plated	Material: Zinc Plated Carbon Spring Steel
4.76 (0.187")	12.70	5.24	RP048-0127-420	Pins - Roll - Stainless Steel - 420 Grade	Material: 420 Stainless Steel Rc 46-52
4.76 (0.187")	12.70	5.24	RP048-0127-C	Pins - Roll - Carbon Steel	Material: Carbon Spring Steel
4.76 (0.187")	12.70	5.24	RP048-0127-Z	Pins - Roll - Zinc Plated	Material: Zinc Plated Carbon Spring Steel
4.76 (0.187")	14.27	5.24	RP048-0143-C	Pins - Roll - Carbon Steel	Material: Carbon Spring Steel
4.76 (0.187")	14.30	5.24	* RP048-0143-420	Pins - Roll - Stainless Steel - 420 Grade	Material: 420 Stainless Steel Rc 46-52
4.76 (0.187")	14.30	5.24	RP048-0143-Z	Pins - Roll - Zinc Plated	Material: Zinc Plated Carbon Spring Steel

Stocked or Short Delivery

Usually Available Short Delivery

Long delivery or not in current production

\* Large Minimum Quantities

\*\* Available only while stock lasts

# Roll Pins

Nominal Diameter (D) mm (inches)	Length (L) mm	Free Diameter mm	Part Number	
4.76 (0.187")	15.88	5.24	RP048-0159-C	Pins - Roll - Carbon Steel Material: Carbon Spring Steel
4.76 (0.187")	15.90	5.24	RP048-0159-420	Pins - Roll - Stainless Steel - 420 Grade Material: 420 Stainless Steel Rc 46-52
4.76 (0.187")	15.90	5.24	RP048-0159-Z	Pins - Roll - Zinc Plated Material: Zinc Plated Carbon Spring Steel
4.76 (0.187")	17.45	5.24	RP048-0174-C	Pins - Roll - Carbon Steel Material: Carbon Spring Steel
4.76 (0.187")	17.50	5.24	RP048-0175-420	Pins - Roll - Stainless Steel - 420 Grade Material: 420 Stainless Steel Rc 46-52
4.76 (0.187")	17.50	5.24	RP048-0175-C	Pins - Roll - Carbon Steel Material: Carbon Spring Steel
4.76 (0.187")	17.50	5.24	RP048-0175-Z	Pins - Roll - Zinc Plated Material: Zinc Plated Carbon Spring Steel
4.76 (0.187")	19.05	5.24	RP048-0191-C	Pins - Roll - Carbon Steel Material: Carbon Spring Steel
4.76 (0.187")	19.10	5.24	RP048-0191-4	Pins - Roll - Stainless Steel - 300 Grade Material: 304 Stainless
4.76 (0.187")	19.10	5.24	RP048-0191-420	Pins - Roll - Stainless Steel - 420 Grade Material: 420 Stainless Steel Rc 46-52
4.76 (0.187")	19.10	5.24	RP048-0191-Z	Pins - Roll - Zinc Plated Material: Zinc Plated Carbon Spring Steel
4.76 (0.187")	20.60	5.24	* RP048-0206-420	Pins - Roll - Stainless Steel - 420 Grade Material: 420 Stainless Steel Rc 46-52
4.76 (0.187")	20.60	5.24	RP048-0206-Z	Pins - Roll - Zinc Plated Material: Zinc Plated Carbon Spring Steel
4.76 (0.187")	20.62	5.24	RP048-0206-C	Pins - Roll - Carbon Steel Material: Carbon Spring Steel
4.76 (0.187")	22.20	5.24	RP048-0222-420	Pins - Roll - Stainless Steel - 420 Grade Material: 420 Stainless Steel Rc 46-52
4.76 (0.187")	22.20	5.24	RP048-0222-Z	Pins - Roll - Zinc Plated Material: Zinc Plated Carbon Spring Steel
4.76 (0.187")	22.23	5.24	RP048-0222-C	Pins - Roll - Carbon Steel Material: Carbon Spring Steel
4.76 (0.187")	23.80	5.24	RP048-0238-C	Pins - Roll - Carbon Steel Material: Carbon Spring Steel
4.76 (0.187")	23.80	5.24	RP048-0238-420	Pins - Roll - Stainless Steel - 420 Grade Material: 420 Stainless Steel Rc 46-52
4.76 (0.187")	23.80	5.24	* RP048-0238-Z	Pins - Roll - Zinc Plated Material: Zinc Plated Carbon Spring Steel
4.76 (0.187")	25.40	5.24	** RP048-0254-420	Pins - Roll - Stainless Steel - 420 Grade Material: 420 Stainless Steel Rc 46-52
4.76 (0.187")	25.40	5.24	RP048-0254-C	Pins - Roll - Carbon Steel Material: Carbon Spring Steel
4.76 (0.187")	25.40	5.24	* RP048-0254-Z	Pins - Roll - Carbon Steel Material: Carbon Spring Steel
4.76 (0.187")	28.58	5.24	RP048-0286-C	Pins - Roll - Carbon Steel Material: Carbon Spring Steel
4.76 (0.187")	28.60	5.24	** RP048-0286-420	Pins - Roll - Stainless Steel - 420 Grade Material: 420 Stainless Steel Rc 46-52
4.76 (0.187")	28.60	5.24	RP048-0286-Z	Pins - Roll - Zinc Plated Material: Zinc Plated Carbon Spring Steel
4.76 (0.187")	31.75	5.24	RP048-0318-C	Pins - Roll - Carbon Steel Material: Carbon Spring Steel
4.76 (0.187")	31.80	5.24	RP048-0318-420	Pins - Roll - Stainless Steel - 420 Grade Material: 420 Stainless Steel Rc 46-52
4.76 (0.187")	31.80	5.24	RP048-0318-Z	Pins - Roll - Zinc Plated Material: Zinc Plated Carbon Spring Steel
4.76 (0.187")	34.90	5.24	RP048-0349-420	Pins - Roll - Stainless Steel - 420 Grade Material: 420 Stainless Steel Rc 46-52
4.76 (0.187")	34.90	5.24	RP048-0349-Z	Pins - Roll - Zinc Plated Material: Zinc Plated Carbon Spring Steel

Stocked or Short Delivery     
 Usually Available Short Delivery     
 Long delivery or not in current production

\* Large Minimum Quantities

\*\* Available only while stock lasts

# Roll Pins

Nominal Diameter (D) mm (inches)	Length (L) mm	Free Diameter mm	Part Number		
4.76 (0.187")	34.93	5.24	RP048-0349-C	Pins - Roll - Carbon Steel	Material: Carbon Spring Steel
4.76 (0.187")	38.10	5.24	RP048-0381-420	Pins - Roll - Stainless Steel - 420 Grade	Material: 420 Stainless Steel Rc 46-52
4.76 (0.187")	38.10	5.24	RP048-0381-C	Pins - Roll - Carbon Steel	Material: Carbon Spring Steel
4.76 (0.187")	38.10	5.24	RP048-0381-Z	Pins - Roll - Zinc Plated	Material: Zinc Plated Carbon Spring Steel
4.76 (0.187")	41.28	5.24	RP048-0413-C	Pins - Roll - Carbon Steel	Material: Carbon Spring Steel
4.76 (0.187")	41.30	5.24	RP048-0413-Z	Pins - Roll - Zinc Plated	Material: Zinc Plated Carbon Spring Steel
4.76 (0.187")	44.45	5.24	RP048-0445-C	Pins - Roll - Carbon Steel	Material: Carbon Spring Steel
4.76 (0.187")	44.50	5.24	* RP048-0445-Z	Pins - Roll - Carbon Steel	Material: Carbon Spring Steel
4.76 (0.187")	47.60	5.24	RP048-0476-Z	Pins - Roll - Zinc Plated	Material: Zinc Plated Carbon Spring Steel
4.76 (0.187")	47.63	5.24	RP048-0476-C	Pins - Roll - Carbon Steel	Material: Carbon Spring Steel
4.76 (0.187")	50.80	5.24	RP048-0508-C	Pins - Roll - Carbon Steel	Material: Carbon Spring Steel
4.76 (0.187")	50.80	5.24	RP048-0508-Z	Pins - Roll - Zinc Plated	Material: Zinc Plated Carbon Spring Steel
4.76 (0.187")	57.15	5.24	RP048-0572-C	Pins - Roll - Carbon Steel	Material: Carbon Spring Steel
4.76 (0.187")	57.20	5.24	RP048-0572-Z	Pins - Roll - Zinc Plated	Material: Zinc Plated Carbon Spring Steel
4.76 (0.187")	63.50	5.24	RP048-0635-C	Pins - Roll - Carbon Steel	Material: Carbon Spring Steel
4.76 (0.187")	63.50	5.24	RP048-0635-Z	Pins - Roll - Zinc Plated	Material: Zinc Plated Carbon Spring Steel
4.76 (0.187")	69.85	5.24	RP048-0699-C	Pins - Roll - Carbon Steel	Material: Carbon Spring Steel
4.76 (0.187")	76.20	5.24	RP048-0762-C	Pins - Roll - Carbon Steel	Material: Carbon Spring Steel
4.76 (0.187")	76.20	5.24	* RP048-0762-Z	Pins - Roll - Zinc Plated	Material: Zinc Plated Carbon Spring Steel
4.76 (0.187")	88.90	5.24	RP048-0889-C	Pins - Roll - Carbon Steel	Material: Carbon Spring Steel
4.76 (0.187")	101.60	5.24	RP048-1016-C	Pins - Roll - Carbon Steel	Material: Carbon Spring Steel
5.00 (0.197")	6.00	5.50	RP050-0060-C	Pins - Roll - Carbon Steel	Material: Carbon Steel CS70
5.00 (0.197")	8.00	5.50	RP050-0080-4	Pins - Roll - Stainless Steel - 300 Grade	Material: 304 Stainless
5.00 (0.197")	8.00	5.50	RP050-0080-C	Pins - Roll - Carbon Steel	Material: Carbon Steel CS70
5.00 (0.197")	8.00	5.50	* RP050-0080-Z	Pins - Roll - Zinc Plated	Material: Zinc Plated Carbon Spring Steel
5.00 (0.197")	10.00	5.50	RP050-0100-4	Pins - Roll - Stainless Steel - 300 Grade	Material: 304 Stainless
5.00 (0.197")	10.00	5.50	* RP050-0100-C	Pins - Roll - Carbon Steel	Material: Carbon Steel CS70
5.00 (0.197")	10.00	5.50	RP050-0100-A-C	Pins - Roll - Carbon Steel	Material: Carbon Steel CS70
5.00 (0.197")	10.00	5.50	RP050-0100-Z	Pins - Roll - Zinc Plated	Material: Zinc Plated Carbon Spring Steel
5.00 (0.197")	12.00	5.50	RP050-0120-4	Pins - Roll - Stainless Steel - 300 Grade	Material: 304 Stainless
5.00 (0.197")	12.00	5.50	RP050-0120-C	Pins - Roll - Carbon Steel	Material: Carbon Steel CS70



Stocked or Short Delivery



Usually Available Short Delivery



Long delivery or not in current production

\* Large Minimum Quantities

\*\* Available only while stock lasts

# Roll Pins

Nominal Diameter (D) mm (inches)	Length (L) mm	Free Diameter mm	Part Number		
5.00 (0.197")	12.00	5.50	RP050-0120-A-C	Pins - Roll - Carbon Steel	Material: Carbon Steel CS70
5.00 (0.197")	12.00	5.50	RP050-0120-Z	Pins - Roll - Zinc Plated	Material: Zinc Plated Carbon Spring Steel
5.00 (0.197")	14.00	5.50	RP050-0140-4	Pins - Roll - Stainless Steel - 300 Grade	Material: 304 Stainless
5.00 (0.197")	14.00	5.50	* RP050-0140-C	Pins - Roll - Carbon Steel	Material: Carbon Steel CS70
5.00 (0.197")	14.00	5.50	RP050-0140-A-C	Pins - Roll - Carbon Steel	Material: Carbon Steel CS70
5.00 (0.197")	14.00	5.50	RP050-0140-Z	Pins - Roll - Zinc Plated	Material: Zinc Plated Carbon Spring Steel
5.00 (0.197")	16.00	5.50	RP050-0160-4	Pins - Roll - Stainless Steel - 300 Grade	Material: 304 Stainless
5.00 (0.197")	16.00	5.50	RP050-0160-A-C	Pins - Roll - Carbon Steel	Material: Carbon Steel CS70
5.00 (0.197")	16.00	5.50	** RP050-0160-C	Pins - Roll - Carbon Steel	Material: Carbon Steel CS70
5.00 (0.197")	16.00	5.50	RP050-0160-Z	Pins - Roll - Zinc Plated	Material: Zinc Plated Carbon Spring Steel
5.00 (0.197")	18.00	5.50	RP050-0180-4	Pins - Roll - Stainless Steel - 300 Grade	Material: 304 Stainless
5.00 (0.197")	18.00	5.50	RP050-0180-A-C	Pins - Roll - Carbon Steel	Material: Carbon Steel CS70
5.00 (0.197")	18.00	5.50	RP050-0180-C	Pins - Roll - Carbon Steel	Material: Carbon Steel CS70
5.00 (0.197")	18.00	5.50	RP050-0180-Z	Pins - Roll - Zinc Plated	Material: Zinc Plated Carbon Spring Steel
5.00 (0.197")	20.00	5.50	RP050-0200-4	Pins - Roll - Stainless Steel - 300 Grade	Material: 304 Stainless
5.00 (0.197")	20.00	5.50	RP050-0200-A-C	Pins - Roll - Carbon Steel	Material: Carbon Steel CS70
5.00 (0.197")	20.00	5.50	RP050-0200-C	Pins - Roll - Carbon Steel	Material: Carbon Steel CS70
5.00 (0.197")	20.00	5.50	RP050-0200-Z	Pins - Roll - Zinc Plated	Material: Zinc Plated Carbon Spring Steel
5.00 (0.197")	22.00	5.50	RP050-0220-4	Pins - Roll - Stainless Steel - 300 Grade	Material: 304 Stainless
5.00 (0.197")	22.00	5.50	RP050-0220-A-C	Pins - Roll - Carbon Steel	Material: Carbon Steel CS70
5.00 (0.197")	22.00	5.50	* RP050-0220-C	Pins - Roll - Carbon Steel	Material: Carbon Steel CS70
5.00 (0.197")	22.00	5.50	RP050-0220-Z	Pins - Roll - Zinc Plated	Material: Zinc Plated Carbon Spring Steel
5.00 (0.197")	24.00	5.50	RP050-0240-4	Pins - Roll - Stainless Steel - 300 Grade	Material: 304 Stainless
5.00 (0.197")	24.00	5.50	RP050-0240-C	Pins - Roll - Carbon Steel	Material: Carbon Steel CS70
5.00 (0.197")	24.00	5.50	RP050-0240-A-C	Pins - Roll - Carbon Steel	Material: Carbon Steel CS70
5.00 (0.197")	24.00	5.50	RP050-0240-Z	Pins - Roll - Zinc Plated	Material: Zinc Plated Carbon Spring Steel
5.00 (0.197")	26.00	5.50	RP050-0260-4	Pins - Roll - Stainless Steel - 300 Grade	Material: 304 Stainless
5.00 (0.197")	26.00	5.50	* RP050-0260-C	Pins - Roll - Carbon Steel	Material: Carbon Steel CS70
5.00 (0.197")	26.00	5.50	RP050-0260-A-C	Pins - Roll - Carbon Steel	Material: Carbon Steel CS70
5.00 (0.197")	26.00	5.50	RP050-0260-Z	Pins - Roll - Zinc Plated	Material: Zinc Plated Carbon Spring Steel
5.00 (0.197")	28.00	5.50	RP050-0280-4	Pins - Roll - Stainless Steel - 300 Grade	Material: 304 Stainless

Stocked or Short Delivery    
  Usually Available Short Delivery    
  Long delivery or not in current production

# Roll Pins

Nominal Diameter (D) mm (inches)	Length (L) mm	Free Diameter mm	Part Number		
5.00 (0.197")	28.00	5.50	* RP050-0280-C	<i>Pins - Roll - Carbon Steel</i>	Material: Carbon Steel CS70
5.00 (0.197")	28.00	5.50	RP050-0280-Z	<i>Pins - Roll - Zinc Plated</i>	Material: Zinc Plated Carbon Spring Steel
5.00 (0.197")	30.00	5.50	<b>RP050-0300-4</b>	<i>Pins - Roll - Stainless Steel - 300 Grade</i>	Material: 304 Stainless
5.00 (0.197")	30.00	5.50	* RP050-0300-C	<i>Pins - Roll - Carbon Steel</i>	Material: Carbon Steel CS70
5.00 (0.197")	30.00	5.50	<b>RP050-0300-A-C</b>	<i>Pins - Roll - Carbon Steel</i>	Material: Carbon Steel CS70
5.00 (0.197")	30.00	5.50	<b>RP050-0300-Z</b>	<i>Pins - Roll - Zinc Plated</i>	Material: Zinc Plated Carbon Spring Steel
5.00 (0.197")	32.00	5.50	RP050-0320-4	<i>Pins - Roll - Stainless Steel - 300 Grade</i>	Material: 304 Stainless
5.00 (0.197")	32.00	5.50	<b>RP050-0320-A-C</b>	<i>Pins - Roll - Carbon Steel</i>	Material: Carbon Steel CS70
5.00 (0.197")	32.00	5.50	* RP050-0320-C	<i>Pins - Roll - Carbon Steel</i>	Material: Carbon Steel CS70
5.00 (0.197")	32.00	5.50	<b>RP050-0320-Z</b>	<i>Pins - Roll - Zinc Plated</i>	Material: Zinc Plated Carbon Spring Steel
5.00 (0.197")	35.00	5.50	<b>RP050-0350-4</b>	<i>Pins - Roll - Stainless Steel - 300 Grade</i>	Material: 304 Stainless
5.00 (0.197")	36.00	5.50	<b>RP050-0360-A-C</b>	<i>Pins - Roll - Carbon Steel</i>	Material: Carbon Steel CS70
5.00 (0.197")	36.00	5.50	<b>RP050-0360-Z</b>	<i>Pins - Roll - Zinc Plated</i>	Material: Zinc Plated Carbon Spring Steel
5.00 (0.197")	40.00	5.50	<b>RP050-0400-4</b>	<i>Pins - Roll - Stainless Steel - 300 Grade</i>	Material: 304 Stainless
5.00 (0.197")	40.00	5.50	<b>RP050-0400-C</b>	<i>Pins - Roll - Carbon Steel</i>	Material: Carbon Steel CS70
5.00 (0.197")	40.00	5.50	<b>RP050-0400-A-C</b>	<i>Pins - Roll - Carbon Steel</i>	Material: Carbon Steel CS70
5.00 (0.197")	40.00	5.50	<b>RP050-0400-Z</b>	<i>Pins - Roll - Zinc Plated</i>	Material: Zinc Plated Carbon Spring Steel
5.00 (0.197")	45.00	5.50	RP050-0450-4	<i>Pins - Roll - Stainless Steel - 300 Grade</i>	Material: 304 Stainless
5.00 (0.197")	45.00	5.50	* RP050-0450-C	<i>Pins - Roll - Carbon Steel</i>	Material: Carbon Steel CS70
5.00 (0.197")	45.00	5.50	<b>RP050-0450-A-C</b>	<i>Pins - Roll - Carbon Steel</i>	Material: Carbon Steel CS70
5.00 (0.197")	45.00	5.50	<b>RP050-0450-Z</b>	<i>Pins - Roll - Zinc Plated</i>	Material: Zinc Plated Carbon Spring Steel
5.00 (0.197")	50.00	5.50	** <b>RP050-0500-4</b>	<i>Pins - Roll - Stainless Steel - 300 Grade</i>	Material: 304 Stainless
5.00 (0.197")	50.00	5.50	<b>RP050-0500-A-C</b>	<i>Pins - Roll - Carbon Steel</i>	Material: Carbon Steel CS70
5.00 (0.197")	50.00	5.50	<b>RP050-0500-C</b>	<i>Pins - Roll - Carbon Steel</i>	Material: Carbon Steel CS70
5.00 (0.197")	50.00	5.50	<b>RP050-0500-Z</b>	<i>Pins - Roll - Zinc Plated</i>	Material: Zinc Plated Carbon Spring Steel
5.00 (0.197")	55.00	5.50	* RP050-0550-C	<i>Pins - Roll - Carbon Steel</i>	Material: Carbon Steel CS70
5.00 (0.197")	55.00	5.50	<b>RP050-0550-Z</b>	<i>Pins - Roll - Zinc Plated</i>	Material: Zinc Plated Carbon Spring Steel
5.00 (0.197")	60.00	5.50	<b>RP050-0600-4</b>	<i>Pins - Roll - Stainless Steel - 300 Grade</i>	Material: 304 Stainless
5.00 (0.197")	60.00	5.50	* RP050-0600-C	<i>Pins - Roll - Carbon Steel</i>	Material: Carbon Steel CS70
5.00 (0.197")	60.00	5.50	<b>RP050-0600-Z</b>	<i>Pins - Roll - Zinc Plated</i>	Material: Zinc Plated Carbon Spring Steel
5.00 (0.197")	65.00	5.50	<b>RP050-0650-C</b>	<i>Pins - Roll - Carbon Steel</i>	Material: Carbon Steel CS70



Stocked or Short Delivery



Usually Available Short Delivery



Long delivery or not in current production

\* Large Minimum Quantities

\*\* Available only while stock lasts

# Roll Pins

Nominal Diameter (D) mm (inches)	Length (L) mm	Free Diameter mm	Part Number		
5.00 (0.197")	65.00	5.50	* RP050-0650-Z	<i>Pins - Roll - Zinc Plated</i>	Material: Zinc Plated Carbon Spring Steel
5.00 (0.197")	70.00	5.50	* RP050-0700-C	<i>Pins - Roll - Carbon Steel</i>	Material: Carbon Steel CS70
5.00 (0.197")	70.00	5.50	* RP050-0700-Z	<i>Pins - Roll - Zinc Plated</i>	Material: Zinc Plated Carbon Spring Steel
5.00 (0.197")	75.00	5.50	* RP050-0750-C	<i>Pins - Roll - Carbon Steel</i>	Material: Carbon Steel CS70
5.00 (0.197")	75.00	5.50	* RP050-0750-Z	<i>Pins - Roll - Zinc Plated</i>	Material: Zinc Plated Carbon Spring Steel
5.00 (0.197")	80.00	5.50	<b>RP050-0800-C</b>	<i>Pins - Roll - Carbon Steel</i>	Material: Carbon Steel CS70
5.00 (0.197")	80.00	5.50	* RP050-0800-Z	<i>Pins - Roll - Zinc Plated</i>	Material: Zinc Plated Carbon Spring Steel
5.56 (0.219")	12.70	6.12	<b>RP056-0127-C</b>	<i>Pins - Roll - Carbon Steel</i>	Material: Carbon Spring Steel
5.56 (0.219")	12.70	6.12	<b>RP056-0127-Z</b>	<i>Pins - Roll - Zinc Plated</i>	Material: Zinc Plated Carbon Spring Steel
5.56 (0.219")	14.27	6.12	<b>RP056-0143-C</b>	<i>Pins - Roll - Carbon Steel</i>	Material: Carbon Spring Steel
5.56 (0.219")	14.30	6.12	<b>RP056-0143-Z</b>	<i>Pins - Roll - Zinc Plated</i>	Material: Zinc Plated Carbon Spring Steel
5.56 (0.219")	15.88	6.12	<b>RP056-0159-C</b>	<i>Pins - Roll - Carbon Steel</i>	Material: Carbon Spring Steel
5.56 (0.219")	15.90	6.12	<b>RP056-0159-Z</b>	<i>Pins - Roll - Zinc Plated</i>	Material: Zinc Plated Carbon Spring Steel
5.56 (0.219")	17.45	6.12	<b>RP056-0174-C</b>	<i>Pins - Roll - Carbon Steel</i>	Material: Carbon Spring Steel
5.56 (0.219")	17.50	6.12	<b>RP056-0175-Z</b>	<i>Pins - Roll - Zinc Plated</i>	Material: Zinc Plated Carbon Spring Steel
5.56 (0.219")	19.05	6.12	<b>RP056-0191-C</b>	<i>Pins - Roll - Carbon Steel</i>	Material: Carbon Spring Steel
5.56 (0.219")	19.10	6.09	<b>RP056-0191-420</b>	<i>Pins - Roll - Stainless Steel - 420 Grade</i>	Material: 420 Stainless Steel Rc 46-52
5.56 (0.219")	19.10	6.12	<b>RP056-0191-Z</b>	<i>Pins - Roll - Zinc Plated</i>	Material: Zinc Plated Carbon Spring Steel
5.56 (0.219")	20.60	6.12	<b>RP056-0206-Z</b>	<i>Pins - Roll - Zinc Plated</i>	Material: Zinc Plated Carbon Spring Steel
5.56 (0.219")	22.20	6.12	<b>RP056-0222-Z</b>	<i>Pins - Roll - Zinc Plated</i>	Material: Zinc Plated Carbon Spring Steel
5.56 (0.219")	22.23	6.12	<b>RP056-0222-C</b>	<i>Pins - Roll - Carbon Steel</i>	Material: Carbon Spring Steel
5.56 (0.219")	23.80	6.12	<b>RP056-0238-Z</b>	<i>Pins - Roll - Zinc Plated</i>	Material: Zinc Plated Carbon Spring Steel
5.56 (0.219")	25.40	6.12	<b>RP056-0254-C</b>	<i>Pins - Roll - Carbon Steel</i>	Material: Carbon Spring Steel
5.56 (0.219")	25.40	6.12	<b>RP056-0254-Z</b>	<i>Pins - Roll - Zinc Plated</i>	Material: Zinc Plated Carbon Spring Steel
5.56 (0.219")	28.58	6.12	<b>RP056-0286-C</b>	<i>Pins - Roll - Carbon Steel</i>	Material: Carbon Spring Steel
5.56 (0.219")	28.60	6.12	<b>RP056-0286-Z</b>	<i>Pins - Roll - Zinc Plated</i>	Material: Zinc Plated Carbon Spring Steel
5.56 (0.219")	31.75	6.12	<b>RP056-0318-C</b>	<i>Pins - Roll - Carbon Steel</i>	Material: Carbon Spring Steel
5.56 (0.219")	31.80	6.12	<b>RP056-0318-Z</b>	<i>Pins - Roll - Zinc Plated</i>	Material: Zinc Plated Carbon Spring Steel
5.56 (0.219")	34.90	6.12	<b>RP056-0349-Z</b>	<i>Pins - Roll - Zinc Plated</i>	Material: Zinc Plated Carbon Spring Steel
5.56 (0.219")	34.93	6.12	<b>RP056-0349-C</b>	<i>Pins - Roll - Carbon Steel</i>	Material: Carbon Spring Steel
5.56 (0.219")	38.10	6.12	<b>RP056-0381-C</b>	<i>Pins - Roll - Carbon Steel</i>	Material: Carbon Spring Steel



Stocked or Short Delivery



Usually Available Short Delivery



Long delivery or not in current production

\* Large Minimum Quantities

\*\* Available only while stock lasts

# Roll Pins

Nominal Diameter (D) mm (inches)	Length (L) mm	Free Diameter mm	Part Number		
5.56 (0.219")	38.10	6.12	RP056-0381-Z	Pins - Roll - Zinc Plated	Material: Zinc Plated Carbon Spring Steel
5.56 (0.219")	41.28	6.12	RP056-0413-C	Pins - Roll - Carbon Steel	Material: Carbon Spring Steel
5.56 (0.219")	41.30	6.12	RP056-0413-Z	Pins - Roll - Zinc Plated	Material: Zinc Plated Carbon Spring Steel
5.56 (0.219")	44.45	6.12	RP056-0445-C	Pins - Roll - Carbon Steel	Material: Carbon Spring Steel
5.56 (0.219")	44.50	6.12	RP056-0445-Z	Pins - Roll - Zinc Plated	Material: Zinc Plated Carbon Spring Steel
5.56 (0.219")	47.60	6.12	RP056-0476-Z	Pins - Roll - Zinc Plated	Material: Zinc Plated Carbon Spring Steel
5.56 (0.219")	50.80	6.12	RP056-0508-C	Pins - Roll - Carbon Steel	Material: Carbon Spring Steel
5.56 (0.219")	50.80	6.12	RP056-0508-Z	Pins - Roll - Zinc Plated	Material: Zinc Plated Carbon Spring Steel
5.56 (0.219")	57.15	6.12	RP056-0572-C	Pins - Roll - Carbon Steel	Material: Carbon Spring Steel
5.56 (0.219")	57.20	6.12	RP056-0572-Z	Pins - Roll - Zinc Plated	Material: Zinc Plated Carbon Spring Steel
5.56 (0.219")	63.50	6.12	RP056-0635-C	Pins - Roll - Carbon Steel	Material: Carbon Spring Steel
5.56 (0.219")	63.50	6.12	RP056-0635-Z	Pins - Roll - Zinc Plated	Material: Zinc Plated Carbon Spring Steel
5.56 (0.219")	69.90	6.12	RP056-0699-Z	Pins - Roll - Zinc Plated	Material: Zinc Plated Carbon Spring Steel
5.56 (0.219")	76.20	6.12	RP056-0762-C	Pins - Roll - Carbon Steel	Material: Carbon Spring Steel
5.56 (0.219")	76.20	6.12	RP056-0762-Z	Pins - Roll - Zinc Plated	Material: Zinc Plated Carbon Spring Steel
6.00 (0.236")	10.00	6.60	RP060-0100-4	Pins - Roll - Stainless Steel - 300 Grade	Material: 304 Stainless
6.00 (0.236")	10.00	6.60	* RP060-0100-C	Pins - Roll - Carbon Steel	Material: Carbon Steel CS70
6.00 (0.236")	12.00	6.60	RP060-0120-4	Pins - Roll - Stainless Steel - 300 Grade	Material: 304 Stainless
6.00 (0.236")	12.00	6.60	* RP060-0120-C	Pins - Roll - Carbon Steel	Material: Carbon Steel CS70
6.00 (0.236")	12.00	6.60	RP060-0120-Z	Pins - Roll - Zinc Plated	Material: Zinc Plated Carbon Spring Steel
6.00 (0.236")	14.00	6.60	RP060-0140-4	Pins - Roll - Stainless Steel - 300 Grade	Material: 304 Stainless
6.00 (0.236")	14.00	6.60	* RP060-0140-C	Pins - Roll - Carbon Steel	Material: Carbon Steel CS70
6.00 (0.236")	14.00	6.60	RP060-0140-Z	Pins - Roll - Zinc Plated	Material: Zinc Plated Carbon Spring Steel
6.00 (0.236")	16.00	6.60	RP060-0160-4	Pins - Roll - Stainless Steel - 300 Grade	Material: 304 Stainless
6.00 (0.236")	16.00	6.60	RP060-0160-C	Pins - Roll - Carbon Steel	Material: Carbon Steel CS70
6.00 (0.236")	16.00	6.60	RP060-0160-Z	Pins - Roll - Zinc Plated	Material: Zinc Plated Carbon Spring Steel
6.00 (0.236")	18.00	6.60	RP060-0180-4	Pins - Roll - Stainless Steel - 300 Grade	Material: 304 Stainless
6.00 (0.236")	18.00	6.60	** RP060-0180-C	Pins - Roll - Carbon Steel	Material: Carbon Steel CS70
6.00 (0.236")	18.00	6.60	RP060-0180-Z	Pins - Roll - Zinc Plated	Material: Zinc Plated Carbon Spring Steel
6.00 (0.236")	20.00	6.60	RP060-0200-4	Pins - Roll - Stainless Steel - 300 Grade	Material: 304 Stainless
6.00 (0.236")	20.00	6.60	RP060-0200-C	Pins - Roll - Carbon Steel	Material: Carbon Steel CS70



Stocked or Short Delivery



Usually Available Short Delivery



Long delivery or not in current production

\* Large Minimum Quantities

\*\* Available only while stock lasts

# Roll Pins

Nominal Diameter (D) mm (inches)	Length (L) mm	Free Diameter mm	Part Number		
6.00 (0.236")	20.00	6.60	RP060-0200-A-C	Pins - Roll - Carbon Steel	Material: Carbon Steel CS70
6.00 (0.236")	20.00	6.60	RP060-0200-Z	Pins - Roll - Zinc Plated	Material: Zinc Plated Carbon Spring Steel
6.00 (0.236")	22.00	6.60	RP060-0220-4	Pins - Roll - Stainless Steel - 300 Grade	Material: 304 Stainless
6.00 (0.236")	22.00	6.60	* RP060-0220-C	Pins - Roll - Carbon Steel	Material: Carbon Steel CS70
6.00 (0.236")	22.00	6.60	RP060-0220-A-C	Pins - Roll - Carbon Steel	Material: Carbon Steel CS70
6.00 (0.236")	22.00	6.60	RP060-0220-Z	Pins - Roll - Zinc Plated	Material: Zinc Plated Carbon Spring Steel
6.00 (0.236")	24.00	6.60	RP060-0240-4	Pins - Roll - Stainless Steel - 300 Grade	Material: 304 Stainless
6.00 (0.236")	24.00	6.60	RP060-0240-C	Pins - Roll - Carbon Steel	Material: Carbon Steel CS70
6.00 (0.236")	24.00	6.60	RP060-0240-Z	Pins - Roll - Zinc Plated	Material: Zinc Plated Carbon Spring Steel
6.00 (0.236")	25.00	6.60	RP060-0250-C	Pins - Roll - Carbon Steel	Material: Carbon Steel CS70
6.00 (0.236")	26.00	6.60	RP060-0260-4	Pins - Roll - Stainless Steel - 300 Grade	Material: 304 Stainless
6.00 (0.236")	26.00	6.60	RP060-0260-C	Pins - Roll - Carbon Steel	Material: Carbon Steel CS70
6.00 (0.236")	26.00	6.60	RP060-0260-Z	Pins - Roll - Zinc Plated	Material: Zinc Plated Carbon Spring Steel
6.00 (0.236")	28.00	6.60	RP060-0280-4	Pins - Roll - Stainless Steel - 300 Grade	Material: 304 Stainless
6.00 (0.236")	28.00	6.60	RP060-0280-C	Pins - Roll - Carbon Steel	Material: Carbon Steel CS70
6.00 (0.236")	28.00	6.60	RP060-0280-A-C	Pins - Roll - Carbon Steel	Material: Carbon Steel CS70
6.00 (0.236")	28.00	6.60	RP060-0280-Z	Pins - Roll - Zinc Plated	Material: Zinc Plated Carbon Spring Steel
6.00 (0.236")	30.00	6.60	RP060-0300-4	Pins - Roll - Stainless Steel - 300 Grade	Material: 304 Stainless
6.00 (0.236")	30.00	6.60	RP060-0300-420	Pins - Roll - Stainless Steel - 420 Grade	Material: 420 Stainless Steel Rc 46-52
6.00 (0.236")	30.00	6.60	RP060-0300-C	Pins - Roll - Carbon Steel	Material: Carbon Steel CS70
6.00 (0.236")	30.00	6.60	RP060-0300-A-C	Pins - Roll - Carbon Steel	Material: Carbon Steel CS70
6.00 (0.236")	30.00	6.60	RP060-0300-Z	Pins - Roll - Zinc Plated	Material: Zinc Plated Carbon Spring Steel
6.00 (0.236")	32.00	6.60	RP060-0320-4	Pins - Roll - Stainless Steel - 300 Grade	Material: 304 Stainless
6.00 (0.236")	32.00	6.60	** RP060-0320-C	Pins - Roll - Carbon Steel	Material: Carbon Steel CS70
6.00 (0.236")	32.00	6.60	* RP060-0320-Z	Pins - Roll - Zinc Plated	Material: Zinc Plated Carbon Spring Steel
6.00 (0.236")	35.00	6.60	RP060-0350-4	Pins - Roll - Stainless Steel - 300 Grade	Material: 304 Stainless
6.00 (0.236")	35.00	6.60	RP060-0350-A-C	Pins - Roll - Carbon Steel	Material: Carbon Steel CS70
6.00 (0.236")	35.00	6.60	* RP060-0350-Z	Pins - Roll - Zinc Plated	Material: Zinc Plated Carbon Spring Steel
6.00 (0.236")	36.00	6.60	RP060-0360-A-C	Pins - Roll - Carbon Steel	Material: Carbon Steel CS70
6.00 (0.236")	36.00	6.60	* RP060-0360-Z	Pins - Roll - Zinc Plated	Material: Zinc Plated Carbon Spring Steel
6.00 (0.236")	40.00	6.60	RP060-0400-4	Pins - Roll - Stainless Steel - 300 Grade	Material: 304 Stainless



Stocked or Short Delivery



Usually Available Short Delivery



Long delivery or not in current production

\* Large Minimum Quantities

\*\* Available only while stock lasts



# Roll Pins

Nominal Diameter (D) mm (inches)	Length (L) mm	Free Diameter mm	Part Number		
6.00 (0.236")	40.00	6.60	<b>RP060-0400-C</b>	<i>Pins - Roll - Carbon Steel</i>	<b>Material: Carbon Steel CS70</b>
6.00 (0.236")	40.00	6.60	<b>RP060-0400-A-C</b>	<i>Pins - Roll - Carbon Steel</i>	<b>Material: Carbon Steel CS70</b>
6.00 (0.236")	40.00	6.60	* RP060-0400-Z	<i>Pins - Roll - Zinc Plated</i>	<b>Material: Zinc Plated Carbon Spring Steel</b>
6.00 (0.236")	45.00	6.60	<b>RP060-0450-4</b>	<i>Pins - Roll - Stainless Steel - 300 Grade</i>	<b>Material: 304 Stainless</b>
6.00 (0.236")	45.00	6.60	<b>RP060-0450-A-C</b>	<i>Pins - Roll - Carbon Steel</i>	<b>Material: Carbon Steel CS70</b>
6.00 (0.236")	45.00	6.60	<b>RP060-0450-C</b>	<i>Pins - Roll - Carbon Steel</i>	<b>Material: Carbon Steel CS70</b>
6.00 (0.236")	45.00	6.60	* RP060-0450-Z	<i>Pins - Roll - Zinc Plated</i>	<b>Material: Zinc Plated Carbon Spring Steel</b>
6.00 (0.236")	50.00	6.60	<b>RP060-0500-4</b>	<i>Pins - Roll - Stainless Steel - 300 Grade</i>	<b>Material: 304 Stainless</b>
6.00 (0.236")	50.00	6.60	<b>RP060-0500-A-C</b>	<i>Pins - Roll - Carbon Steel</i>	<b>Material: Carbon Steel CS70</b>
6.00 (0.236")	50.00	6.60	<b>RP060-0500-C</b>	<i>Pins - Roll - Carbon Steel</i>	<b>Material: Carbon Steel CS70</b>
6.00 (0.236")	50.00	6.60	* RP060-0500-Z	<i>Pins - Roll - Zinc Plated</i>	<b>Material: Zinc Plated Carbon Spring Steel</b>
6.00 (0.236")	55.00	6.60	* RP060-0550-C	<i>Pins - Roll - Carbon Steel</i>	<b>Material: Carbon Steel CS70</b>
6.00 (0.236")	55.00	6.60	<b>RP060-0550-A-C</b>	<i>Pins - Roll - Carbon Steel</i>	<b>Material: Carbon Steel CS70</b>
6.00 (0.236")	55.00	6.60	* RP060-0550-Z	<i>Pins - Roll - Zinc Plated</i>	<b>Material: Zinc Plated Carbon Spring Steel</b>
6.00 (0.236")	60.00	6.60	* RP060-0600-C	<i>Pins - Roll - Carbon Steel</i>	<b>Material: Carbon Steel CS70</b>
6.00 (0.236")	60.00	6.60	<b>RP060-0600-A-C</b>	<i>Pins - Roll - Carbon Steel</i>	<b>Material: Carbon Steel CS70</b>
6.00 (0.236")	60.00	6.60	* RP060-0600-Z	<i>Pins - Roll - Zinc Plated</i>	<b>Material: Zinc Plated Carbon Spring Steel</b>
6.00 (0.236")	65.00	6.60	<b>RP060-0650-C</b>	<i>Pins - Roll - Carbon Steel</i>	<b>Material: Carbon Steel CS70</b>
6.00 (0.236")	65.00	6.60	* RP060-0650-Z	<i>Pins - Roll - Zinc Plated</i>	<b>Material: Zinc Plated Carbon Spring Steel</b>
6.00 (0.236")	70.00	6.60	* RP060-0700-C	<i>Pins - Roll - Carbon Steel</i>	<b>Material: Carbon Steel CS70</b>
6.00 (0.236")	70.00	6.60	<b>RP060-0700-A-C</b>	<i>Pins - Roll - Carbon Steel</i>	<b>Material: Carbon Steel CS70</b>
6.00 (0.236")	70.00	6.60	* RP060-0700-Z	<i>Pins - Roll - Zinc Plated</i>	<b>Material: Zinc Plated Carbon Spring Steel</b>
6.00 (0.236")	75.00	6.60	* RP060-0750-C	<i>Pins - Roll - Carbon Steel</i>	<b>Material: Carbon Steel CS70</b>
6.00 (0.236")	75.00	6.60	* RP060-0750-Z	<i>Pins - Roll - Zinc Plated</i>	<b>Material: Zinc Plated Carbon Spring Steel</b>
6.00 (0.236")	80.00	6.60	<b>RP060-0800-C</b>	<i>Pins - Roll - Carbon Steel</i>	<b>Material: Carbon Steel CS70</b>
6.00 (0.236")	80.00	6.60	* RP060-0800-Z	<i>Pins - Roll - Zinc Plated</i>	<b>Material: Zinc Plated Carbon Spring Steel</b>
6.00 (0.236")	85.00	6.60	<b>RP060-0850-C</b>	<i>Pins - Roll - Carbon Steel</i>	<b>Material: Carbon Steel CS70</b>
6.00 (0.236")	90.00	6.60	* RP060-0900-C	<i>Pins - Roll - Carbon Steel</i>	<b>Material: Carbon Steel CS70</b>
6.00 (0.236")	90.00	6.60	* RP060-0900-Z	<i>Pins - Roll - Zinc Plated</i>	<b>Material: Zinc Plated Carbon Spring Steel</b>
6.00 (0.236")	95.00	6.60	* RP060-0950-C	<i>Pins - Roll - Carbon Steel</i>	<b>Material: Carbon Steel CS70</b>
6.00 (0.236")	95.00	6.60	* RP060-0950-Z	<i>Pins - Roll - Zinc Plated</i>	<b>Material: Zinc Plated Carbon Spring Steel</b>



Stocked or Short Delivery



Usually Available Short Delivery



Long delivery or not in current production

\* Large Minimum Quantities

\*\* Available only while stock lasts

# Roll Pins

Nominal Diameter (D) mm (inches)	Length (L) mm	Free Diameter mm	Part Number		
6.00 (0.236")	100.00	6.60	* RP060-1000-C	<i>Pins - Roll - Carbon Steel</i>	Material: Carbon Steel CS70
6.00 (0.236")	100.00	6.60	* RP060-1000-Z	<i>Pins - Roll - Zinc Plated</i>	Material: Zinc Plated Carbon Spring Steel
6.35 (0.250")	9.53	6.98	RP064-0095-C	<i>Pins - Roll - Carbon Steel</i>	Material: Carbon Spring Steel
6.35 (0.250")	12.70	6.98	RP064-0127-C	<i>Pins - Roll - Carbon Steel</i>	Material: Carbon Spring Steel
6.35 (0.250")	12.70	6.98	RP064-0127-Z	<i>Pins - Roll - Zinc Plated</i>	Material: Zinc Plated Carbon Spring Steel
6.35 (0.250")	14.27	6.98	RP064-0143-C	<i>Pins - Roll - Carbon Steel</i>	Material: Carbon Spring Steel
6.35 (0.250")	15.80	6.98	* RP064-0158-C	<i>Pins - Roll - Carbon Steel</i>	Material: Carbon Spring Steel
6.35 (0.250")	15.88	6.98	RP064-0159-420	<i>Pins - Roll - Stainless Steel - 420 Grade</i>	Material: 420 Stainless Steel Rc 46-52
6.35 (0.250")	15.88	6.98	RP064-0159-C	<i>Pins - Roll - Carbon Steel</i>	Material: Carbon Spring Steel
6.35 (0.250")	15.90	6.98	RP064-0159-Z	<i>Pins - Roll - Zinc Plated</i>	Material: Zinc Plated Carbon Spring Steel
6.35 (0.250")	17.45	6.98	RP064-0174-C	<i>Pins - Roll - Carbon Steel</i>	Material: Carbon Spring Steel
6.35 (0.250")	17.50	6.98	RP064-0175-Z	<i>Pins - Roll - Zinc Plated</i>	Material: Zinc Plated Carbon Spring Steel
6.35 (0.250")	19.05	6.98	RP064-0191-420	<i>Pins - Roll - Stainless Steel - 420 Grade</i>	Material: 420 Stainless Steel Rc 46-52
6.35 (0.250")	19.05	6.98	RP064-0191-C	<i>Pins - Roll - Carbon Steel</i>	Material: Carbon Spring Steel
6.35 (0.250")	19.10	6.98	RP064-0191-Z	<i>Pins - Roll - Zinc Plated</i>	Material: Zinc Plated Carbon Spring Steel
6.35 (0.250")	20.60	6.98	RP064-0206-Z	<i>Pins - Roll - Zinc Plated</i>	Material: Zinc Plated Carbon Spring Steel
6.35 (0.250")	20.62	6.98	RP064-0206-C	<i>Pins - Roll - Carbon Steel</i>	Material: Carbon Spring Steel
6.35 (0.250")	22.20	6.98	RP064-0222-Z	<i>Pins - Roll - Zinc Plated</i>	Material: Zinc Plated Carbon Spring Steel
6.35 (0.250")	22.23	6.98	RP064-0222-C	<i>Pins - Roll - Carbon Steel</i>	Material: Carbon Spring Steel
6.35 (0.250")	23.80	6.98	RP064-0238-C	<i>Pins - Roll - Carbon Steel</i>	Material: Carbon Spring Steel
6.35 (0.250")	23.80	6.98	RP064-0238-Z	<i>Pins - Roll - Zinc Plated</i>	Material: Zinc Plated Carbon Spring Steel
6.35 (0.250")	25.40	6.98	RP064-0254-420	<i>Pins - Roll - Stainless Steel - 420 Grade</i>	Material: 420 Stainless Steel Rc 46-52
6.35 (0.250")	25.40	6.98	RP064-0254-C	<i>Pins - Roll - Carbon Steel</i>	Material: Carbon Spring Steel
6.35 (0.250")	25.40	6.98	RP064-0254-Z	<i>Pins - Roll - Zinc Plated</i>	Material: Zinc Plated Carbon Spring Steel
6.35 (0.250")	28.58	6.98	RP064-0286-C	<i>Pins - Roll - Carbon Steel</i>	Material: Carbon Spring Steel
6.35 (0.250")	28.60	6.98	RP064-0286-Z	<i>Pins - Roll - Zinc Plated</i>	Material: Zinc Plated Carbon Spring Steel
6.35 (0.250")	31.75	6.98	RP064-0318-C	<i>Pins - Roll - Carbon Steel</i>	Material: Carbon Spring Steel
6.35 (0.250")	31.80	6.98	RP064-0318-Z	<i>Pins - Roll - Zinc Plated</i>	Material: Zinc Plated Carbon Spring Steel
6.35 (0.250")	34.90	6.98	RP064-0349-Z	<i>Pins - Roll - Zinc Plated</i>	Material: Zinc Plated Carbon Spring Steel
6.35 (0.250")	34.93	6.98	RP064-0349-C	<i>Pins - Roll - Carbon Steel</i>	Material: Carbon Spring Steel
6.35 (0.250")	38.10	6.98	RP064-0381-420	<i>Pins - Roll - Stainless Steel - 420 Grade</i>	Material: 420 Stainless Steel Rc 46-52



Stocked or Short Delivery



Usually Available Short Delivery



Long delivery or not in current production

\* Large Minimum Quantities

\*\* Available only while stock lasts

# Roll Pins

Nominal Diameter (D) mm (inches)	Length (L) mm	Free Diameter mm	Part Number		
6.35 (0.250")	38.10	6.98	RP064-0381-C	Pins - Roll - Carbon Steel	Material: Carbon Spring Steel
6.35 (0.250")	38.10	6.98	RP064-0381-Z	Pins - Roll - Carbon Steel	Material: Carbon Spring Steel
6.35 (0.250")	41.28	6.98	RP064-0413-C	Pins - Roll - Carbon Steel	Material: Carbon Spring Steel
6.35 (0.250")	41.30	6.98	RP064-0413-Z	Pins - Roll - Zinc Plated	Material: Zinc Plated Carbon Spring Steel
6.35 (0.250")	44.45	6.98	RP064-0445-420	Pins - Roll - Stainless Steel - 420 Grade	Material: 420 Stainless Steel Rc 46-52
6.35 (0.250")	44.45	6.98	RP064-0445-C	Pins - Roll - Carbon Steel	Material: Carbon Spring Steel
6.35 (0.250")	44.50	6.98	RP064-0445-Z	Pins - Roll - Zinc Plated	Material: Zinc Plated Carbon Spring Steel
6.35 (0.250")	47.60	6.98	RP064-0476-Z	Pins - Roll - Zinc Plated	Material: Zinc Plated Carbon Spring Steel
6.35 (0.250")	47.63	6.98	RP064-0476-C	Pins - Roll - Carbon Steel	Material: Carbon Spring Steel
6.35 (0.250")	50.80	6.98	RP064-0508-420	Pins - Roll - Stainless Steel - 420 Grade	Material: 420 Stainless Steel Rc 46-52
6.35 (0.250")	50.80	6.98	* RP064-0508-Z	Pins - Roll - Carbon Steel	Material: Carbon Spring Steel
6.35 (0.250")	50.80	6.98	RP064-0508-C	Pins - Roll - Carbon Steel	Material: Carbon Spring Steel
6.35 (0.250")	57.15	6.98	RP064-0572-C	Pins - Roll - Carbon Steel	Material: Carbon Spring Steel
6.35 (0.250")	57.20	6.98	RP064-0572-Z	Pins - Roll - Zinc Plated	Material: Zinc Plated Carbon Spring Steel
6.35 (0.250")	63.50	6.98	RP064-0635-C	Pins - Roll - Carbon Steel	Material: Carbon Spring Steel
6.35 (0.250")	63.50	6.98	RP064-0635-Z	Pins - Roll - Zinc Plated	Material: Zinc Plated Carbon Spring Steel
6.35 (0.250")	69.85	6.98	RP064-0699-C	Pins - Roll - Carbon Steel	Material: Carbon Spring Steel
6.35 (0.250")	69.90	6.98	RP064-0699-Z	Pins - Roll - Zinc Plated	Material: Zinc Plated Carbon Spring Steel
6.35 (0.250")	76.20	6.98	RP064-0762-C	Pins - Roll - Carbon Steel	Material: Carbon Spring Steel
6.35 (0.250")	76.20	6.98	RP064-0762-Z	Pins - Roll - Zinc Plated	Material: Zinc Plated Carbon Spring Steel
6.35 (0.250")	82.50	6.98	RP064-0825-Z	Pins - Roll - Zinc Plated	Material: Zinc Plated Carbon Spring Steel
6.35 (0.250")	82.55	6.98	RP064-0826-C	Pins - Roll - Carbon Steel	Material: Carbon Spring Steel
6.35 (0.250")	88.90	6.98	RP064-0889-C	Pins - Roll - Carbon Steel	Material: Carbon Spring Steel
6.35 (0.250")	88.90	6.98	RP064-0889-Z	Pins - Roll - Zinc Plated	Material: Zinc Plated Carbon Spring Steel
6.35 (0.250")	101.60	6.98	RP064-1016-C	Pins - Roll - Carbon Steel	Material: Carbon Spring Steel
6.35 (0.250")	101.60	6.98	RP064-1016-Z	Pins - Roll - Zinc Plated	Material: Zinc Plated Carbon Spring Steel
6.35 (0.250")	114.30	6.98	RP064-1143-C	Pins - Roll - Carbon Steel	Material: Carbon Spring Steel
7.94 (0.313")	19.05	8.73	RP079-0191-C	Pins - Roll - Carbon Steel	Material: Carbon Spring Steel
7.94 (0.313")	19.10	8.73	RP079-0191-Z	Pins - Roll - Zinc Plated	Material: Zinc Plated Carbon Spring Steel
7.94 (0.313")	20.60	8.73	RP079-0206-Z	Pins - Roll - Zinc Plated	Material: Zinc Plated Carbon Spring Steel
7.94 (0.313")	20.62	8.73	RP079-0206-C	Pins - Roll - Carbon Steel	Material: Carbon Spring Steel



Stocked or Short Delivery



Usually Available Short Delivery



Long delivery or not in current production

\* Large Minimum Quantities

\*\* Available only while stock lasts

# Roll Pins

Nominal Diameter (D) mm (inches)	Length (L) mm	Free Diameter mm	Part Number		
7.94 (0.313")	22.20	8.73	RP079-0222-Z	Pins - Roll - Zinc Plated	Material: Zinc Plated Carbon Spring Steel
7.94 (0.313")	22.23	8.73	RP079-0222-C	Pins - Roll - Carbon Steel	Material: Carbon Spring Steel
7.94 (0.313")	23.80	8.73	RP079-0238-C	Pins - Roll - Carbon Steel	Material: Carbon Spring Steel
7.94 (0.313")	23.80	8.73	RP079-0238-Z	Pins - Roll - Zinc Plated	Material: Zinc Plated Carbon Spring Steel
7.94 (0.313")	25.40	8.71	RP079-0254-420	Pins - Roll - Stainless Steel - 420 Grade	Material: 420 Stainless Steel Rc 46-52
7.94 (0.313")	25.40	8.73	RP079-0254-C	Pins - Roll - Carbon Steel	Material: Carbon Spring Steel
7.94 (0.313")	25.40	8.73	RP079-0254-Z	Pins - Roll - Zinc Plated	Material: Zinc Plated Carbon Spring Steel
7.94 (0.313")	28.58	8.73	RP079-0286-C	Pins - Roll - Carbon Steel	Material: Carbon Spring Steel
7.94 (0.313")	28.60	8.73	RP079-0286-Z	Pins - Roll - Zinc Plated	Material: Zinc Plated Carbon Spring Steel
7.94 (0.313")	31.75	8.73	RP079-0318-C	Pins - Roll - Carbon Steel	Material: Carbon Spring Steel
7.94 (0.313")	31.80	8.73	RP079-0318-Z	Pins - Roll - Zinc Plated	Material: Zinc Plated Carbon Spring Steel
7.94 (0.313")	34.90	8.73	RP079-0349-Z	Pins - Roll - Zinc Plated	Material: Zinc Plated Carbon Spring Steel
7.94 (0.313")	34.93	8.73	RP079-0349-C	Pins - Roll - Carbon Steel	Material: Carbon Spring Steel
7.94 (0.313")	38.10	8.73	RP079-0381-C	Pins - Roll - Carbon Steel	Material: Carbon Spring Steel
7.94 (0.313")	38.10	8.73	RP079-0381-Z	Pins - Roll - Zinc Plated	Material: Zinc Plated Carbon Spring Steel
7.94 (0.313")	41.28	8.73	RP079-0413-C	Pins - Roll - Carbon Steel	Material: Carbon Spring Steel
7.94 (0.313")	41.30	8.73	RP079-0413-Z	Pins - Roll - Zinc Plated	Material: Zinc Plated Carbon Spring Steel
7.94 (0.313")	44.45	8.71	RP079-0445-420	Pins - Roll - Stainless Steel - 420 Grade	Material: 420 Stainless Steel Rc 46-52
7.94 (0.313")	44.45	8.73	RP079-0445-C	Pins - Roll - Carbon Steel	Material: Carbon Spring Steel
7.94 (0.313")	44.50	8.73	RP079-0445-Z	Pins - Roll - Zinc Plated	Material: Zinc Plated Carbon Spring Steel
7.94 (0.313")	47.60	8.73	RP079-0476-Z	Pins - Roll - Zinc Plated	Material: Zinc Plated Carbon Spring Steel
7.94 (0.313")	47.63	8.73	RP079-0476-C	Pins - Roll - Carbon Steel	Material: Carbon Spring Steel
7.94 (0.313")	50.80	8.73	RP079-0508-C	Pins - Roll - Carbon Steel	Material: Carbon Spring Steel
7.94 (0.313")	50.80	8.73	RP079-0508-Z	Pins - Roll - Zinc Plated	Material: Zinc Plated Carbon Spring Steel
7.94 (0.313")	57.15	8.73	RP079-0572-C	Pins - Roll - Carbon Steel	Material: Carbon Spring Steel
7.94 (0.313")	57.20	8.73	RP079-0572-Z	Pins - Roll - Zinc Plated	Material: Zinc Plated Carbon Spring Steel
7.94 (0.313")	63.50	8.73	RP079-0635-C	Pins - Roll - Carbon Steel	Material: Carbon Spring Steel
7.94 (0.313")	63.50	8.73	RP079-0635-Z	Pins - Roll - Zinc Plated	Material: Zinc Plated Carbon Spring Steel
7.94 (0.313")	69.80	8.73	* RP079-0698-C	Pins - Roll - Carbon Steel	Material: Carbon Spring Steel
7.94 (0.313")	69.85	8.73	RP079-0699-C	Pins - Roll - Carbon Steel	Material: Carbon Spring Steel
7.94 (0.313")	69.90	8.73	RP079-0699-Z	Pins - Roll - Zinc Plated	Material: Zinc Plated Carbon Spring Steel



Stocked or Short Delivery



Usually Available Short Delivery



Long delivery or not in current production

\* Large Minimum Quantities

\*\* Available only while stock lasts

# Roll Pins

Nominal Diameter (D) mm (inches)	Length (L) mm	Free Diameter mm	Part Number		
7.94 (0.313")	76.20	8.73	RP079-0762-C	Pins - Roll - Carbon Steel	Material: Carbon Spring Steel
7.94 (0.313")	76.20	8.73	RP079-0762-Z	Pins - Roll - Zinc Plated	Material: Zinc Plated Carbon Spring Steel
7.94 (0.313")	82.55	8.73	RP079-0826-C	Pins - Roll - Carbon Steel	Material: Carbon Spring Steel
7.94 (0.313")	82.60	8.73	RP079-0826-Z	Pins - Roll - Zinc Plated	Material: Zinc Plated Carbon Spring Steel
7.94 (0.313")	88.90	8.73	RP079-0889-C	Pins - Roll - Carbon Steel	Material: Carbon Spring Steel
7.94 (0.313")	88.90	8.73	RP079-0889-Z	Pins - Roll - Zinc Plated	Material: Zinc Plated Carbon Spring Steel
7.94 (0.313")	95.25	8.73	RP079-0953-C	Pins - Roll - Carbon Steel	Material: Carbon Spring Steel
7.94 (0.313")	95.30	8.73	RP079-0953-Z	Pins - Roll - Zinc Plated	Material: Zinc Plated Carbon Spring Steel
7.94 (0.313")	101.60	8.73	RP079-1016-C	Pins - Roll - Carbon Steel	Material: Carbon Spring Steel
7.94 (0.313")	101.60	8.73	RP079-1016-Z	Pins - Roll - Zinc Plated	Material: Zinc Plated Carbon Spring Steel
8.00 (0.315")	10.00	8.80	RP080-0100-4	Pins - Roll - Stainless Steel - 300 Grade	Material: 304 Stainless
8.00 (0.315")	10.00	8.80	* RP080-0100-C	Pins - Roll - Carbon Steel	Material: Carbon Steel CS70
8.00 (0.315")	12.00	8.80	RP080-0120-4	Pins - Roll - Stainless Steel - 300 Grade	Material: 304 Stainless
8.00 (0.315")	12.00	8.80	* RP080-0120-C	Pins - Roll - Carbon Steel	Material: Carbon Steel CS70
8.00 (0.315")	12.00	8.80	* RP080-0120-Z	Pins - Roll - Zinc Plated	Material: Zinc Plated Carbon Spring Steel
8.00 (0.315")	14.00	8.80	RP080-0140-4	Pins - Roll - Stainless Steel - 300 Grade	Material: 304 Stainless
8.00 (0.315")	14.00	8.80	* RP080-0140-C	Pins - Roll - Carbon Steel	Material: Carbon Steel CS70
8.00 (0.315")	16.00	8.80	RP080-0160-4	Pins - Roll - Stainless Steel - 300 Grade	Material: 304 Stainless
8.00 (0.315")	16.00	8.80	RP080-0160-A-C	Pins - Roll - Carbon Steel	Material: Carbon Steel CS70
8.00 (0.315")	16.00	8.80	* RP080-0160-C	Pins - Roll - Carbon Steel	Material: Carbon Steel CS70
8.00 (0.315")	16.00	8.80	RP080-0160-Z	Pins - Roll - Zinc Plated	Material: Zinc Plated Carbon Spring Steel
8.00 (0.315")	18.00	8.80	RP080-0180-4	Pins - Roll - Stainless Steel - 300 Grade	Material: 304 Stainless
8.00 (0.315")	18.00	8.80	* RP080-0180-C	Pins - Roll - Carbon Steel	Material: Carbon Steel CS70
8.00 (0.315")	18.00	8.80	RP080-0180-Z	Pins - Roll - Zinc Plated	Material: Zinc Plated Carbon Spring Steel
8.00 (0.315")	20.00	8.80	RP080-0200-4	Pins - Roll - Stainless Steel - 300 Grade	Material: 304 Stainless
8.00 (0.315")	20.00	8.80	* RP080-0200-C	Pins - Roll - Carbon Steel	Material: Carbon Steel CS70
8.00 (0.315")	20.00	8.80	RP080-0200-Z	Pins - Roll - Zinc Plated	Material: Zinc Plated Carbon Spring Steel
8.00 (0.315")	22.00	8.80	RP080-0220-4	Pins - Roll - Stainless Steel - 300 Grade	Material: 304 Stainless
8.00 (0.315")	22.00	8.80	* RP080-0220-C	Pins - Roll - Carbon Steel	Material: Carbon Steel CS70
8.00 (0.315")	22.00	8.80	RP080-0220-Z	Pins - Roll - Zinc Plated	Material: Zinc Plated Carbon Spring Steel
8.00 (0.315")	24.00	8.80	RP080-0240-4	Pins - Roll - Stainless Steel - 300 Grade	Material: 304 Stainless



Stocked or Short Delivery



Usually Available Short Delivery



Long delivery or not in current production

\* Large Minimum Quantities

\*\* Available only while stock lasts

# Roll Pins

Nominal Diameter (D) mm (inches)	Length (L) mm	Free Diameter mm	Part Number		
8.00 (0.315")	24.00	8.80	* RP080-0240-C	<i>Pins - Roll - Carbon Steel</i>	Material: Carbon Steel CS70
8.00 (0.315")	24.00	8.80	<b>RP080-0240-A-C</b>	<i>Pins - Roll - Carbon Steel</i>	Material: Carbon Steel CS70
8.00 (0.315")	24.00	8.80	<b>RP080-0240-Z</b>	<i>Pins - Roll - Zinc Plated</i>	Material: Zinc Plated Carbon Spring Steel
8.00 (0.315")	26.00	8.80	RP080-0260-4	<i>Pins - Roll - Stainless Steel - 300 Grade</i>	Material: 304 Stainless
8.00 (0.315")	26.00	8.80	<b>RP080-0260-C</b>	<i>Pins - Roll - Carbon Steel</i>	Material: Carbon Steel CS70
8.00 (0.315")	26.00	8.80	<b>RP080-0260-Z</b>	<i>Pins - Roll - Zinc Plated</i>	Material: Zinc Plated Carbon Spring Steel
8.00 (0.315")	28.00	8.80	RP080-0280-4	<i>Pins - Roll - Stainless Steel - 300 Grade</i>	Material: 304 Stainless
8.00 (0.315")	28.00	8.80	<b>RP080-0280-A-C</b>	<i>Pins - Roll - Carbon Steel</i>	Material: Carbon Steel CS70
8.00 (0.315")	28.00	8.80	** <b>RP080-0280-C</b>	<i>Pins - Roll - Carbon Steel</i>	Material: Carbon Steel CS70
8.00 (0.315")	28.00	8.80	<b>RP080-0280-Z</b>	<i>Pins - Roll - Zinc Plated</i>	Material: Zinc Plated Carbon Spring Steel
8.00 (0.315")	30.00	8.80	<b>RP080-0300-4</b>	<i>Pins - Roll - Stainless Steel - 300 Grade</i>	Material: 304 Stainless
8.00 (0.315")	30.00	8.80	<b>RP080-0300-420</b>	<i>Pins - Roll - Stainless Steel - 420 Grade</i>	Material: 420 Stainless Steel Rc 46-52
8.00 (0.315")	30.00	8.80	<b>RP080-0300-C</b>	<i>Pins - Roll - Carbon Steel</i>	Material: Carbon Steel CS70
8.00 (0.315")	30.00	8.80	<b>RP080-0300-A-C</b>	<i>Pins - Roll - Carbon Steel</i>	Material: Carbon Steel CS70
8.00 (0.315")	30.00	8.80	<b>RP080-0300-Z</b>	<i>Pins - Roll - Zinc Plated</i>	Material: Zinc Plated Carbon Spring Steel
8.00 (0.315")	32.00	8.80	<b>RP080-0320-4</b>	<i>Pins - Roll - Stainless Steel - 300 Grade</i>	Material: 304 Stainless
8.00 (0.315")	32.00	8.80	* <b>RP080-0320-C</b>	<i>Pins - Roll - Carbon Steel</i>	Material: Carbon Steel CS70
8.00 (0.315")	32.00	8.80	<b>RP080-0320-Z</b>	<i>Pins - Roll - Zinc Plated</i>	Material: Zinc Plated Carbon Spring Steel
8.00 (0.315")	35.00	8.80	<b>RP080-0350-4</b>	<i>Pins - Roll - Stainless Steel - 300 Grade</i>	Material: 304 Stainless
8.00 (0.315")	35.00	8.80	<b>RP080-0350-C</b>	<i>Pins - Roll - Carbon Steel</i>	Material: Carbon Steel CS70
8.00 (0.315")	36.00	8.80	* <b>RP080-0360-C</b>	<i>Pins - Roll - Carbon Steel</i>	Material: Carbon Steel CS70
8.00 (0.315")	36.00	8.80	<b>RP080-0360-Z</b>	<i>Pins - Roll - Zinc Plated</i>	Material: Zinc Plated Carbon Spring Steel
8.00 (0.315")	40.00	8.80	<b>RP080-0400-4</b>	<i>Pins - Roll - Stainless Steel - 300 Grade</i>	Material: 304 Stainless
8.00 (0.315")	40.00	8.80	<b>RP080-0400-C</b>	<i>Pins - Roll - Carbon Steel</i>	Material: Carbon Steel CS70
8.00 (0.315")	40.00	8.80	<b>RP080-0400-A-C</b>	<i>Pins - Roll - Carbon Steel</i>	Material: Carbon Steel CS70
8.00 (0.315")	40.00	8.80	<b>RP080-0400-Z</b>	<i>Pins - Roll - Zinc Plated</i>	Material: Zinc Plated Carbon Spring Steel
8.00 (0.315")	45.00	8.80	<b>RP080-0450-4</b>	<i>Pins - Roll - Stainless Steel - 300 Grade</i>	Material: 304 Stainless
8.00 (0.315")	45.00	8.80	<b>RP080-0450-C</b>	<i>Pins - Roll - Carbon Steel</i>	Material: Carbon Steel CS70
8.00 (0.315")	45.00	8.80	<b>RP080-0450-A-C</b>	<i>Pins - Roll - Carbon Steel</i>	Material: Carbon Steel CS70
8.00 (0.315")	45.00	8.80	<b>RP080-0450-Z</b>	<i>Pins - Roll - Zinc Plated</i>	Material: Zinc Plated Carbon Spring Steel
8.00 (0.315")	50.00	8.80	<b>RP080-0500-4</b>	<i>Pins - Roll - Stainless Steel - 300 Grade</i>	Material: 304 Stainless



Stocked or Short Delivery



Usually Available Short Delivery



Long delivery or not in current production

\* Large Minimum Quantities

\*\* Available only while stock lasts

# Roll Pins

Nominal Diameter (D) mm (inches)	Length (L) mm	Free Diameter mm	Part Number	
8.00 (0.315")	50.00	8.80	RP080-0500-420	<i>Pins - Roll - Stainless Steel - 420 Grade</i> Material: 420 Stainless Steel Rc 46-52
8.00 (0.315")	50.00	8.80	RP080-0500-A-C	<i>Pins - Roll - Carbon Steel</i> Material: Carbon Steel CS70
8.00 (0.315")	50.00	8.80	RP080-0500-C	<i>Pins - Roll - Carbon Steel</i> Material: Carbon Steel CS70
8.00 (0.315")	50.00	8.80	RP080-0500-Z	<i>Pins - Roll - Zinc Plated</i> Material: Zinc Plated Carbon Spring Steel
8.00 (0.315")	55.00	8.80	RP080-0550-A-C	<i>Pins - Roll - Carbon Steel</i> Material: Carbon Steel CS70
8.00 (0.315")	55.00	8.80	* RP080-0550-C	<i>Pins - Roll - Carbon Steel</i> Material: Carbon Steel CS70
8.00 (0.315")	55.00	8.80	RP080-0550-Z	<i>Pins - Roll - Zinc Plated</i> Material: Zinc Plated Carbon Spring Steel
8.00 (0.315")	60.00	8.80	RP080-0600-A-C	<i>Pins - Roll - Carbon Steel</i> Material: Carbon Steel CS70
8.00 (0.315")	60.00	8.80	* RP080-0600-C	<i>Pins - Roll - Carbon Steel</i> Material: Carbon Steel CS70
8.00 (0.315")	60.00	8.80	RP080-0600-Z	<i>Pins - Roll - Zinc Plated</i> Material: Zinc Plated Carbon Spring Steel
8.00 (0.315")	65.00	8.80	RP080-0650-A-C	<i>Pins - Roll - Carbon Steel</i> Material: Carbon Steel CS70
8.00 (0.315")	65.00	8.80	RP080-0650-C	<i>Pins - Roll - Carbon Steel</i> Material: Carbon Steel CS70
8.00 (0.315")	65.00	8.80	RP080-0650-Z	<i>Pins - Roll - Zinc Plated</i> Material: Zinc Plated Carbon Spring Steel
8.00 (0.315")	70.00	8.80	RP080-0700-A-C	<i>Pins - Roll - Carbon Steel</i> Material: Carbon Steel CS70
8.00 (0.315")	70.00	8.80	* RP080-0700-C	<i>Pins - Roll - Carbon Steel</i> Material: Carbon Steel CS70
8.00 (0.315")	70.00	8.80	RP080-0700-Z	<i>Pins - Roll - Zinc Plated</i> Material: Zinc Plated Carbon Spring Steel
8.00 (0.315")	75.00	8.80	RP080-0750-A-C	<i>Pins - Roll - Carbon Steel</i> Material: Carbon Steel CS70
8.00 (0.315")	75.00	8.80	* RP080-0750-C	<i>Pins - Roll - Carbon Steel</i> Material: Carbon Steel CS70
8.00 (0.315")	75.00	8.80	RP080-0750-Z	<i>Pins - Roll - Zinc Plated</i> Material: Zinc Plated Carbon Spring Steel
8.00 (0.315")	80.00	8.80	* RP080-0800-C	<i>Pins - Roll - Carbon Steel</i> Material: Carbon Steel CS70
8.00 (0.315")	80.00	8.80	RP080-0800-A-C	<i>Pins - Roll - Carbon Steel</i> Material: Carbon Steel CS70
8.00 (0.315")	80.00	8.80	RP080-0800-Z	<i>Pins - Roll - Zinc Plated</i> Material: Zinc Plated Carbon Spring Steel
8.00 (0.315")	85.00	8.80	RP080-0850-C	<i>Pins - Roll - Carbon Steel</i> Material: Carbon Steel CS70
8.00 (0.315")	90.00	8.80	* RP080-0900-C	<i>Pins - Roll - Carbon Steel</i> Material: Carbon Steel CS70
8.00 (0.315")	90.00	8.80	RP080-0900-Z	<i>Pins - Roll - Zinc Plated</i> Material: Zinc Plated Carbon Spring Steel
8.00 (0.315")	95.00	8.80	* RP080-0950-C	<i>Pins - Roll - Carbon Steel</i> Material: Carbon Steel CS70
8.00 (0.315")	95.00	8.80	RP080-0950-Z	<i>Pins - Roll - Zinc Plated</i> Material: Zinc Plated Carbon Spring Steel
8.00 (0.315")	100.00	8.80	* RP080-1000-C	<i>Pins - Roll - Carbon Steel</i> Material: Carbon Steel CS70
8.00 (0.315")	100.00	8.80	* RP080-1000-Z	<i>Pins - Roll - Zinc Plated</i> Material: Zinc Plated Carbon Spring Steel
8.00 (0.315")	120.00	8.80	RP080-1200-C	<i>Pins - Roll - Carbon Steel</i> Material: Carbon Steel CS70
9.53 (0.375")	19.05	10.48	RP095-0191-C	<i>Pins - Roll - Carbon Steel</i> Material: Carbon Spring Steel



Stocked or Short Delivery



Usually Available Short Delivery



Long delivery or not in current production

\* Large Minimum Quantities

\*\* Available only while stock lasts

# Roll Pins

Nominal Diameter (D) mm (inches)	Length (L) mm	Free Diameter mm	Part Number		
9.53 (0.375")	19.10	10.48	RP095-0191-Z	Pins - Roll - Zinc Plated	Material: Zinc Plated Carbon Spring Steel
9.53 (0.375")	22.23	10.48	RP095-0222-C	Pins - Roll - Carbon Steel	Material: Carbon Spring Steel
9.53 (0.375")	25.40	10.48	RP095-0254-C	Pins - Roll - Carbon Steel	Material: Carbon Spring Steel
9.53 (0.375")	25.40	10.48	RP095-0254-Z	Pins - Roll - Zinc Plated	Material: Zinc Plated Carbon Spring Steel
9.53 (0.375")	28.58	10.48	RP095-0286-C	Pins - Roll - Carbon Steel	Material: Carbon Spring Steel
9.53 (0.375")	28.60	10.48	RP095-0286-Z	Pins - Roll - Zinc Plated	Material: Zinc Plated Carbon Spring Steel
9.53 (0.375")	31.75	10.48	RP095-0318-C	Pins - Roll - Carbon Steel	Material: Carbon Spring Steel
9.53 (0.375")	31.80	10.48	RP095-0318-Z	Pins - Roll - Zinc Plated	Material: Zinc Plated Carbon Spring Steel
9.53 (0.375")	34.90	10.48	RP095-0349-Z	Pins - Roll - Zinc Plated	Material: Zinc Plated Carbon Spring Steel
9.53 (0.375")	34.93	10.48	RP095-0349-C	Pins - Roll - Carbon Steel	Material: Carbon Spring Steel
9.53 (0.375")	38.10	10.48	RP095-0381-C	Pins - Roll - Carbon Steel	Material: Carbon Spring Steel
9.53 (0.375")	38.10	10.48	RP095-0381-Z	Pins - Roll - Zinc Plated	Material: Zinc Plated Carbon Spring Steel
9.53 (0.375")	41.28	10.48	RP095-0413-C	Pins - Roll - Carbon Steel	Material: Carbon Spring Steel
9.53 (0.375")	44.45	10.48	RP095-0445-C	Pins - Roll - Carbon Steel	Material: Carbon Spring Steel
9.53 (0.375")	44.50	10.48	RP095-0445-Z	Pins - Roll - Zinc Plated	Material: Zinc Plated Carbon Spring Steel
9.53 (0.375")	47.60	10.48	RP095-0476-Z	Pins - Roll - Zinc Plated	Material: Zinc Plated Carbon Spring Steel
9.53 (0.375")	47.63	10.48	RP095-0476-C	Pins - Roll - Carbon Steel	Material: Carbon Spring Steel
9.53 (0.375")	50.80	10.48	* RP095-0508-Z	Pins - Roll - Carbon Steel	Material: Carbon Spring Steel
9.53 (0.375")	50.80	10.48	RP095-0508-C	Pins - Roll - Carbon Steel	Material: Carbon Spring Steel
9.53 (0.375")	57.15	10.48	RP095-0572-420	Pins - Roll - Stainless Steel - 420 Grade	Material: 420 Stainless Steel Rc 46-52
9.53 (0.375")	57.15	10.48	RP095-0572-C	Pins - Roll - Carbon Steel	Material: Carbon Spring Steel
9.53 (0.375")	57.20	10.48	RP095-0572-Z	Pins - Roll - Zinc Plated	Material: Zinc Plated Carbon Spring Steel
9.53 (0.375")	63.50	10.48	* RP095-0635-Z	Pins - Roll - Carbon Steel	Material: Carbon Spring Steel
9.53 (0.375")	63.50	10.48	RP095-0635-C	Pins - Roll - Carbon Steel	Material: Carbon Spring Steel
9.53 (0.375")	69.85	10.48	RP095-0699-C	Pins - Roll - Carbon Steel	Material: Carbon Spring Steel
9.53 (0.375")	69.90	10.48	RP095-0699-Z	Pins - Roll - Zinc Plated	Material: Zinc Plated Carbon Spring Steel
9.53 (0.375")	76.20	10.48	RP095-0762-420	Pins - Roll - Stainless Steel - 420 Grade	Material: 420 Stainless Steel Rc 46-52
9.53 (0.375")	76.20	10.48	RP095-0762-C	Pins - Roll - Carbon Steel	Material: Carbon Spring Steel
9.53 (0.375")	76.20	10.48	RP095-0762-Z	Pins - Roll - Zinc Plated	Material: Zinc Plated Carbon Spring Steel
9.53 (0.375")	82.55	10.48	RP095-0826-C	Pins - Roll - Carbon Steel	Material: Carbon Spring Steel
9.53 (0.375")	82.60	10.48	RP095-0826-Z	Pins - Roll - Zinc Plated	Material: Zinc Plated Carbon Spring Steel

Stocked or Short Delivery

Usually Available Short Delivery

Long delivery or not in current production

\* Large Minimum Quantities

\*\* Available only while stock lasts



# Roll Pins

Nominal Diameter (D) mm (inches)	Length (L) mm	Free Diameter mm	Part Number		
9.53 (0.375")	88.90	10.48	RP095-0889-C	Pins - Roll - Carbon Steel	Material: Carbon Spring Steel
9.53 (0.375")	88.90	10.48	RP095-0889-Z	Pins - Roll - Zinc Plated	Material: Zinc Plated Carbon Spring Steel
9.53 (0.375")	95.25	10.48	RP095-0953-C	Pins - Roll - Carbon Steel	Material: Carbon Spring Steel
9.53 (0.375")	95.30	10.48	RP095-0953-Z	Pins - Roll - Zinc Plated	Material: Zinc Plated Carbon Spring Steel
9.53 (0.375")	101.60	10.48	RP095-1016-C	Pins - Roll - Carbon Steel	Material: Carbon Spring Steel
9.53 (0.375")	101.60	10.48	RP095-1016-Z	Pins - Roll - Zinc Plated	Material: Zinc Plated Carbon Spring Steel
9.53 (0.375")	127.00	10.48	RP095-1270-C	Pins - Roll - Carbon Steel	Material: Carbon Spring Steel
9.53 (0.375")	152.40	10.48	RP095-1524-C	Pins - Roll - Carbon Steel	Material: Carbon Spring Steel
10.00 (0.394")	10.00	11.00	RP100-0100-C	Pins - Roll - Carbon Steel	Material: Carbon Steel CS70
10.00 (0.394")	16.00	11.00	RP100-0160-4	Pins - Roll - Stainless Steel - 300 Grade	Material: 304 Stainless
10.00 (0.394")	16.00	11.00	* RP100-0160-C	Pins - Roll - Carbon Steel	Material: Carbon Steel CS70
10.00 (0.394")	18.00	11.00	RP100-0180-4	Pins - Roll - Stainless Steel - 300 Grade	Material: 304 Stainless
10.00 (0.394")	18.00	11.00	* RP100-0180-C	Pins - Roll - Carbon Steel	Material: Carbon Steel CS70
10.00 (0.394")	20.00	11.00	RP100-0200-4	Pins - Roll - Stainless Steel - 300 Grade	Material: 304 Stainless
10.00 (0.394")	20.00	11.00	RP100-0200-A-C	Pins - Roll - Carbon Steel	Material: Carbon Steel CS70
10.00 (0.394")	20.00	11.00	* RP100-0200-C	Pins - Roll - Carbon Steel	Material: Carbon Steel CS70
10.00 (0.394")	20.00	11.00	RP100-0200-Z	Pins - Roll - Zinc Plated	Material: Zinc Plated Carbon Spring Steel
10.00 (0.394")	22.00	11.00	RP100-0220-4	Pins - Roll - Stainless Steel - 300 Grade	Material: 304 Stainless
10.00 (0.394")	22.00	11.00	* RP100-0220-C	Pins - Roll - Carbon Steel	Material: Carbon Steel CS70
10.00 (0.394")	22.00	11.00	RP100-0220-Z	Pins - Roll - Zinc Plated	Material: Zinc Plated Carbon Spring Steel
10.00 (0.394")	24.00	11.00	RP100-0240-4	Pins - Roll - Stainless Steel - 300 Grade	Material: 304 Stainless
10.00 (0.394")	24.00	11.00	RP100-0240-C	Pins - Roll - Carbon Steel	Material: Carbon Steel CS70
10.00 (0.394")	24.00	11.00	RP100-0240-A-C	Pins - Roll - Carbon Steel	Material: Carbon Steel CS70
10.00 (0.394")	24.00	11.00	RP100-0240-Z	Pins - Roll - Zinc Plated	Material: Zinc Plated Carbon Spring Steel
10.00 (0.394")	26.00	11.00	RP100-0260-4	Pins - Roll - Stainless Steel - 300 Grade	Material: 304 Stainless
10.00 (0.394")	26.00	11.00	** RP100-0260-C	Pins - Roll - Carbon Steel	Material: Carbon Steel CS70
10.00 (0.394")	26.00	11.00	RP100-0260-Z	Pins - Roll - Zinc Plated	Material: Zinc Plated Carbon Spring Steel
10.00 (0.394")	28.00	11.00	RP100-0280-4	Pins - Roll - Stainless Steel - 300 Grade	Material: 304 Stainless
10.00 (0.394")	28.00	11.00	* RP100-0280-C	Pins - Roll - Carbon Steel	Material: Carbon Steel CS70
10.00 (0.394")	28.00	11.00	RP100-0280-Z	Pins - Roll - Zinc Plated	Material: Zinc Plated Carbon Spring Steel
10.00 (0.394")	30.00	11.00	RP100-0300-4	Pins - Roll - Stainless Steel - 300 Grade	Material: 304 Stainless



Stocked or Short Delivery



Usually Available Short Delivery



Long delivery or not in current production

\* Large Minimum Quantities

\*\* Available only while stock lasts

# Roll Pins

Nominal Diameter (D) mm (inches)	Length (L) mm	Free Diameter mm	Part Number		
10.00 (0.394")	30.00	11.00	RP100-0300-C	Pins - Roll - Carbon Steel	Material: Carbon Steel CS70
10.00 (0.394")	30.00	11.00	RP100-0300-A-C	Pins - Roll - Carbon Steel	Material: Carbon Steel CS70
10.00 (0.394")	30.00	11.00	RP100-0300-Z	Pins - Roll - Zinc Plated	Material: Zinc Plated Carbon Spring Steel
10.00 (0.394")	32.00	11.00	RP100-0320-4	Pins - Roll - Stainless Steel - 300 Grade	Material: 304 Stainless
10.00 (0.394")	32.00	11.00	* RP100-0320-C	Pins - Roll - Carbon Steel	Material: Carbon Steel CS70
10.00 (0.394")	32.00	11.00	RP100-0320-Z	Pins - Roll - Zinc Plated	Material: Zinc Plated Carbon Spring Steel
10.00 (0.394")	35.00	11.00	RP100-0350-4	Pins - Roll - Stainless Steel - 300 Grade	Material: 304 Stainless
10.00 (0.394")	35.00	11.00	RP100-0350-C	Pins - Roll - Carbon Steel	Material: Carbon Steel CS70
10.00 (0.394")	35.00	11.00	RP100-0350-A-C	Pins - Roll - Carbon Steel	Material: Carbon Steel CS70
10.00 (0.394")	36.00	11.00	RP100-0360-C	Pins - Roll - Carbon Steel	Material: Carbon Steel CS70
10.00 (0.394")	36.00	11.00	RP100-0360-Z	Pins - Roll - Zinc Plated	Material: Zinc Plated Carbon Spring Steel
10.00 (0.394")	40.00	11.00	RP100-0400-4	Pins - Roll - Stainless Steel - 300 Grade	Material: 304 Stainless
10.00 (0.394")	40.00	11.00	RP100-0400-C	Pins - Roll - Carbon Steel	Material: Carbon Steel CS70
10.00 (0.394")	40.00	11.00	RP100-0400-A-C	Pins - Roll - Carbon Steel	Material: Carbon Steel CS70
10.00 (0.394")	40.00	11.00	RP100-0400-Z	Pins - Roll - Zinc Plated	Material: Zinc Plated Carbon Spring Steel
10.00 (0.394")	45.00	11.00	RP100-0450-4	Pins - Roll - Stainless Steel - 300 Grade	Material: 304 Stainless
10.00 (0.394")	45.00	11.00	RP100-0450-A-C	Pins - Roll - Carbon Steel	Material: Carbon Steel CS70
10.00 (0.394")	45.00	11.00	* RP100-0450-C	Pins - Roll - Carbon Steel	Material: Carbon Steel CS70
10.00 (0.394")	45.00	11.00	RP100-0450-Z	Pins - Roll - Zinc Plated	Material: Zinc Plated Carbon Spring Steel
10.00 (0.394")	50.00	11.00	RP100-0500-4	Pins - Roll - Stainless Steel - 300 Grade	Material: 304 Stainless
10.00 (0.394")	50.00	11.00	RP100-0500-A-C	Pins - Roll - Carbon Steel	Material: Carbon Steel CS70
10.00 (0.394")	50.00	11.00	RP100-0500-C	Pins - Roll - Carbon Steel	Material: Carbon Steel CS70
10.00 (0.394")	50.00	11.00	RP100-0500-Z	Pins - Roll - Zinc Plated	Material: Zinc Plated Carbon Spring Steel
10.00 (0.394")	55.00	11.00	RP100-0550-C	Pins - Roll - Carbon Steel	Material: Carbon Steel CS70
10.00 (0.394")	55.00	11.00	RP100-0550-A-C	Pins - Roll - Carbon Steel	Material: Carbon Steel CS70
10.00 (0.394")	55.00	11.00	RP100-0550-Z	Pins - Roll - Zinc Plated	Material: Zinc Plated Carbon Spring Steel
10.00 (0.394")	60.00	11.00	RP100-0600-C	Pins - Roll - Carbon Steel	Material: Carbon Steel CS70
10.00 (0.394")	60.00	11.00	RP100-0600-A-C	Pins - Roll - Carbon Steel	Material: Carbon Steel CS70
10.00 (0.394")	60.00	11.00	RP100-0600-Z	Pins - Roll - Zinc Plated	Material: Zinc Plated Carbon Spring Steel
10.00 (0.394")	65.00	11.00	RP100-0650-4	Pins - Roll - Stainless Steel - 300 Grade	Material: 304 Stainless
10.00 (0.394")	65.00	11.00	RP100-0650-C	Pins - Roll - Carbon Steel	Material: Carbon Steel CS70



Stocked or Short Delivery



Usually Available Short Delivery



Long delivery or not in current production

\* Large Minimum Quantities

\*\* Available only while stock lasts

# Roll Pins

Nominal Diameter (D) mm (inches)	Length (L) mm	Free Diameter mm	Part Number		
10.00 (0.394")	65.00	11.00	RP100-0650-A-C	Pins - Roll - Carbon Steel	Material: Carbon Steel CS70
10.00 (0.394")	65.00	11.00	RP100-0650-Z	Pins - Roll - Zinc Plated	Material: Zinc Plated Carbon Spring Steel
10.00 (0.394")	70.00	11.00	RP100-0700-4	Pins - Roll - Stainless Steel - 300 Grade	Material: 304 Stainless
10.00 (0.394")	70.00	11.00	RP100-0700-C	Pins - Roll - Carbon Steel	Material: Carbon Steel CS70
10.00 (0.394")	70.00	11.00	RP100-0700-A-C	Pins - Roll - Carbon Steel	Material: Carbon Steel CS70
10.00 (0.394")	70.00	11.00	RP100-0700-Z	Pins - Roll - Zinc Plated	Material: Zinc Plated Carbon Spring Steel
10.00 (0.394")	75.00	11.00	RP100-0750-A-C	Pins - Roll - Carbon Steel	Material: Carbon Steel CS70
10.00 (0.394")	75.00	11.00	RP100-0750-C	Pins - Roll - Carbon Steel	Material: Carbon Steel CS70
10.00 (0.394")	75.00	11.00	RP100-0750-Z	Pins - Roll - Zinc Plated	Material: Zinc Plated Carbon Spring Steel
10.00 (0.394")	80.00	11.00	RP100-0800-A-C	Pins - Roll - Carbon Steel	Material: Carbon Steel CS70
10.00 (0.394")	80.00	11.00	* RP100-0800-C	Pins - Roll - Carbon Steel	Material: Carbon Steel CS70
10.00 (0.394")	80.00	11.00	RP100-0800-Z	Pins - Roll - Zinc Plated	Material: Zinc Plated Carbon Spring Steel
10.00 (0.394")	85.00	11.00	RP100-0850-C	Pins - Roll - Carbon Steel	Material: Carbon Steel CS70
10.00 (0.394")	85.00	11.00	RP100-0850-Z	Pins - Roll - Zinc Plated	Material: Zinc Plated Carbon Spring Steel
10.00 (0.394")	90.00	11.00	RP100-0900-A-C	Pins - Roll - Carbon Steel	Material: Carbon Steel CS70
10.00 (0.394")	90.00	11.00	* RP100-0900-C	Pins - Roll - Carbon Steel	Material: Carbon Steel CS70
10.00 (0.394")	90.00	11.00	RP100-0900-Z	Pins - Roll - Zinc Plated	Material: Zinc Plated Carbon Spring Steel
10.00 (0.394")	95.00	11.00	* RP100-0950-C	Pins - Roll - Carbon Steel	Material: Carbon Steel CS70
10.00 (0.394")	100.00	11.00	* RP100-1000-C	Pins - Roll - Carbon Steel	Material: Carbon Steel CS70
10.00 (0.394")	100.00	11.00	RP100-1000-Z	Pins - Roll - Zinc Plated	Material: Zinc Plated Carbon Spring Steel
10.00 (0.394")	160.00	11.00	RP100-1600-C	Pins - Roll - Carbon Steel	Material: Carbon Steel CS70
11.11 (0.437")	25.40	12.22	RP111-0254-C	Pins - Roll - Carbon Steel	Material: Carbon Spring Steel
11.11 (0.437")	25.40	12.22	RP111-0254-Z	Pins - Roll - Zinc Plated	Material: Zinc Plated Carbon Spring Steel
11.11 (0.437")	31.75	12.22	RP111-0318-C	Pins - Roll - Carbon Steel	Material: Carbon Spring Steel
11.11 (0.437")	31.80	12.22	RP111-0318-Z	Pins - Roll - Zinc Plated	Material: Zinc Plated Carbon Spring Steel
11.11 (0.437")	38.10	12.22	RP111-0381-C	Pins - Roll - Carbon Steel	Material: Carbon Spring Steel
11.11 (0.437")	38.10	12.22	RP111-0381-Z	Pins - Roll - Zinc Plated	Material: Zinc Plated Carbon Spring Steel
11.11 (0.437")	44.45	12.22	RP111-0445-C	Pins - Roll - Carbon Steel	Material: Carbon Spring Steel
11.11 (0.437")	44.50	12.22	RP111-0445-Z	Pins - Roll - Zinc Plated	Material: Zinc Plated Carbon Spring Steel
11.11 (0.437")	50.80	12.22	RP111-0508-C	Pins - Roll - Carbon Steel	Material: Carbon Spring Steel
11.11 (0.437")	50.80	12.22	RP111-0508-Z	Pins - Roll - Zinc Plated	Material: Zinc Plated Carbon Spring Steel



Stocked or Short Delivery



Usually Available Short Delivery



Long delivery or not in current production

\* Large Minimum Quantities

\*\* Available only while stock lasts

# Roll Pins

Nominal Diameter (D) mm (inches)	Length (L) mm	Free Diameter mm	Part Number		
11.11 (0.437")	57.15	12.22	RP111-0572-C	<i>Pins - Roll - Carbon Steel</i>	Material: Carbon Spring Steel
11.11 (0.437")	57.20	12.22	RP111-0572-Z	<i>Pins - Roll - Zinc Plated</i>	Material: Zinc Plated Carbon Spring Steel
11.11 (0.437")	63.50	12.22	RP111-0635-C	<i>Pins - Roll - Carbon Steel</i>	Material: Carbon Spring Steel
11.11 (0.437")	63.50	12.22	RP111-0635-Z	<i>Pins - Roll - Zinc Plated</i>	Material: Zinc Plated Carbon Spring Steel
11.11 (0.437")	69.85	12.22	RP111-0699-C	<i>Pins - Roll - Carbon Steel</i>	Material: Carbon Spring Steel
11.11 (0.437")	69.90	12.22	RP111-0699-Z	<i>Pins - Roll - Zinc Plated</i>	Material: Zinc Plated Carbon Spring Steel
11.11 (0.437")	76.20	12.22	RP111-0762-C	<i>Pins - Roll - Carbon Steel</i>	Material: Carbon Spring Steel
11.11 (0.437")	76.20	12.22	RP111-0762-Z	<i>Pins - Roll - Zinc Plated</i>	Material: Zinc Plated Carbon Spring Steel
11.11 (0.437")	82.60	12.22	RP111-0826-Z	<i>Pins - Roll - Zinc Plated</i>	Material: Zinc Plated Carbon Spring Steel
11.11 (0.437")	88.90	12.22	RP111-0889-C	<i>Pins - Roll - Carbon Steel</i>	Material: Carbon Spring Steel
11.11 (0.437")	88.90	12.22	RP111-0889-Z	<i>Pins - Roll - Zinc Plated</i>	Material: Zinc Plated Carbon Spring Steel
11.11 (0.437")	95.30	12.22	RP111-0953-Z	<i>Pins - Roll - Zinc Plated</i>	Material: Zinc Plated Carbon Spring Steel
11.11 (0.437")	101.60	12.22	RP111-1016-C	<i>Pins - Roll - Carbon Steel</i>	Material: Carbon Spring Steel
11.11 (0.437")	101.60	12.22	RP111-1016-Z	<i>Pins - Roll - Zinc Plated</i>	Material: Zinc Plated Carbon Spring Steel
12.00 (0.472")	18.00	13.20	RP120-0180-C	<i>Pins - Roll - Carbon Steel</i>	Material: Carbon Steel CS70
12.00 (0.472")	20.00	13.20	* RP120-0200-C	<i>Pins - Roll - Carbon Steel</i>	Material: Carbon Steel CS70
12.00 (0.472")	20.00	13.20	* RP120-0200-Z	<i>Pins - Roll - Zinc Plated</i>	Material: Zinc Plated Carbon Spring Steel
12.00 (0.472")	22.00	13.20	* RP120-0220-C	<i>Pins - Roll - Carbon Steel</i>	Material: Carbon Steel CS70
12.00 (0.472")	22.00	13.20	* RP120-0220-Z	<i>Pins - Roll - Zinc Plated</i>	Material: Zinc Plated Carbon Spring Steel
12.00 (0.472")	24.00	13.20	RP120-0240-A-C	<i>Pins - Roll - Carbon Steel</i>	Material: Carbon Steel CS70
12.00 (0.472")	24.00	13.20	* RP120-0240-C	<i>Pins - Roll - Carbon Steel</i>	Material: Carbon Steel CS70
12.00 (0.472")	24.00	13.20	RP120-0240-Z	<i>Pins - Roll - Zinc Plated</i>	Material: Zinc Plated Carbon Spring Steel
12.00 (0.472")	26.00	13.20	* RP120-0260-C	<i>Pins - Roll - Carbon Steel</i>	Material: Carbon Steel CS70
12.00 (0.472")	26.00	13.20	RP120-0260-Z	<i>Pins - Roll - Zinc Plated</i>	Material: Zinc Plated Carbon Spring Steel
12.00 (0.472")	28.00	13.20	* RP120-0280-C	<i>Pins - Roll - Carbon Steel</i>	Material: Carbon Steel CS70
12.00 (0.472")	28.00	13.20	RP120-0280-Z	<i>Pins - Roll - Zinc Plated</i>	Material: Zinc Plated Carbon Spring Steel
12.00 (0.472")	30.00	13.20	RP120-0300-4	<i>Pins - Roll - Stainless Steel - 300 Grade</i>	Material: 304 Stainless
12.00 (0.472")	30.00	13.20	RP120-0300-C	<i>Pins - Roll - Carbon Steel</i>	Material: Carbon Steel CS70
12.00 (0.472")	30.00	13.20	RP120-0300-Z	<i>Pins - Roll - Zinc Plated</i>	Material: Zinc Plated Carbon Spring Steel
12.00 (0.472")	32.00	13.20	* RP120-0320-C	<i>Pins - Roll - Carbon Steel</i>	Material: Carbon Steel CS70
12.00 (0.472")	32.00	13.20	RP120-0320-Z	<i>Pins - Roll - Zinc Plated</i>	Material: Zinc Plated Carbon Spring Steel



Stocked or Short Delivery



Usually Available Short Delivery



Long delivery or not in current production

\* Large Minimum Quantities

\*\* Available only while stock lasts

# Roll Pins

Nominal Diameter (D) mm (inches)	Length (L) mm	Free Diameter mm	Part Number		
12.00 (0.472")	35.00	13.20	RP120-0350-C	<i>Pins - Roll - Carbon Steel</i>	Material: Carbon Steel CS70
12.00 (0.472")	36.00	13.20	* RP120-0360-C	<i>Pins - Roll - Carbon Steel</i>	Material: Carbon Steel CS70
12.00 (0.472")	36.00	13.20	RP120-0360-Z	<i>Pins - Roll - Zinc Plated</i>	Material: Zinc Plated Carbon Spring Steel
12.00 (0.472")	40.00	13.20	* RP120-0400-C	<i>Pins - Roll - Carbon Steel</i>	Material: Carbon Steel CS70
12.00 (0.472")	40.00	13.20	RP120-0400-A-C	<i>Pins - Roll - Carbon Steel</i>	Material: Carbon Steel CS70
12.00 (0.472")	40.00	13.20	RP120-0400-Z	<i>Pins - Roll - Zinc Plated</i>	Material: Zinc Plated Carbon Spring Steel
12.00 (0.472")	45.00	13.20	* RP120-0450-C	<i>Pins - Roll - Carbon Steel</i>	Material: Carbon Steel CS70
12.00 (0.472")	45.00	13.20	RP120-0450-Z	<i>Pins - Roll - Zinc Plated</i>	Material: Zinc Plated Carbon Spring Steel
12.00 (0.472")	50.00	13.20	RP120-0500-420	<i>Pins - Roll - Stainless Steel - 420 Grade</i>	Material: 420 Stainless Steel Rc 46-52
12.00 (0.472")	50.00	13.20	RP120-0500-A-C	<i>Pins - Roll - Carbon Steel</i>	Material: Carbon Steel CS70
12.00 (0.472")	50.00	13.20	* RP120-0500-C	<i>Pins - Roll - Carbon Steel</i>	Material: Carbon Steel CS70
12.00 (0.472")	50.00	13.20	RP120-0500-Z	<i>Pins - Roll - Zinc Plated</i>	Material: Zinc Plated Carbon Spring Steel
12.00 (0.472")	55.00	13.20	* RP120-0550-C	<i>Pins - Roll - Carbon Steel</i>	Material: Carbon Steel CS70
12.00 (0.472")	55.00	13.20	RP120-0550-Z	<i>Pins - Roll - Zinc Plated</i>	Material: Zinc Plated Carbon Spring Steel
12.00 (0.472")	60.00	13.20	* RP120-0600-C	<i>Pins - Roll - Carbon Steel</i>	Material: Carbon Steel CS70
12.00 (0.472")	60.00	13.20	RP120-0600-A-C	<i>Pins - Roll - Carbon Steel</i>	Material: Carbon Steel CS70
12.00 (0.472")	60.00	13.20	RP120-0600-Z	<i>Pins - Roll - Zinc Plated</i>	Material: Zinc Plated Carbon Spring Steel
12.00 (0.472")	65.00	13.20	RP120-0650-C	<i>Pins - Roll - Carbon Steel</i>	Material: Carbon Steel CS70
12.00 (0.472")	65.00	13.20	RP120-0650-Z	<i>Pins - Roll - Zinc Plated</i>	Material: Zinc Plated Carbon Spring Steel
12.00 (0.472")	70.00	13.20	* RP120-0700-C	<i>Pins - Roll - Carbon Steel</i>	Material: Carbon Steel CS70
12.00 (0.472")	70.00	13.20	RP120-0700-Z	<i>Pins - Roll - Zinc Plated</i>	Material: Zinc Plated Carbon Spring Steel
12.00 (0.472")	75.00	13.20	* RP120-0750-C	<i>Pins - Roll - Carbon Steel</i>	Material: Carbon Steel CS70
12.00 (0.472")	75.00	13.20	RP120-0750-Z	<i>Pins - Roll - Zinc Plated</i>	Material: Zinc Plated Carbon Spring Steel
12.00 (0.472")	80.00	13.20	RP120-0800-A-C	<i>Pins - Roll - Carbon Steel</i>	Material: Carbon Steel CS70
12.00 (0.472")	80.00	13.20	* RP120-0800-C	<i>Pins - Roll - Carbon Steel</i>	Material: Carbon Steel CS70
12.00 (0.472")	80.00	13.20	RP120-0800-Z	<i>Pins - Roll - Zinc Plated</i>	Material: Zinc Plated Carbon Spring Steel
12.00 (0.472")	85.00	13.20	RP120-0850-C	<i>Pins - Roll - Carbon Steel</i>	Material: Carbon Steel CS70
12.00 (0.472")	85.00	13.20	RP120-0850-Z	<i>Pins - Roll - Zinc Plated</i>	Material: Zinc Plated Carbon Spring Steel
12.00 (0.472")	90.00	13.20	* RP120-0900-C	<i>Pins - Roll - Carbon Steel</i>	Material: Carbon Steel CS70
12.00 (0.472")	90.00	13.20	RP120-0900-A-C	<i>Pins - Roll - Carbon Steel</i>	Material: Carbon Steel CS70
12.00 (0.472")	90.00	13.20	RP120-0900-Z	<i>Pins - Roll - Zinc Plated</i>	Material: Zinc Plated Carbon Spring Steel

Stocked or Short Delivery

Usually Available Short Delivery

Long delivery or not in current production

\* Large Minimum Quantities

\*\* Available only while stock lasts

# Roll Pins

Nominal Diameter (D) mm (inches)	Length (L) mm	Free Diameter mm	Part Number		
12.00 (0.472")	95.00	13.20	* RP120-0950-C	<i>Pins - Roll - Carbon Steel</i>	Material: Carbon Steel CS70
12.00 (0.472")	95.00	13.20	RP120-0950-Z	<i>Pins - Roll - Zinc Plated</i>	Material: Zinc Plated Carbon Spring Steel
12.00 (0.472")	100.00	13.20	RP120-1000-C	<i>Pins - Roll - Carbon Steel</i>	Material: Carbon Steel CS70
12.00 (0.472")	100.00	13.20	RP120-1000-Z	<i>Pins - Roll - Zinc Plated</i>	Material: Zinc Plated Carbon Spring Steel
12.70 (0.500")	25.40	13.97	RP127-0254-C	<i>Pins - Roll - Carbon Steel</i>	Material: Carbon Spring Steel
12.70 (0.500")	31.75	13.97	RP127-0318-C	<i>Pins - Roll - Carbon Steel</i>	Material: Carbon Spring Steel
12.70 (0.500")	31.80	13.97	RP127-0318-Z	<i>Pins - Roll - Zinc Plated</i>	Material: Zinc Plated Carbon Spring Steel
12.70 (0.500")	34.93	13.97	RP127-0349-C	<i>Pins - Roll - Carbon Steel</i>	Material: Carbon Spring Steel
12.70 (0.500")	38.10	13.97	RP127-0381-420	<i>Pins - Roll - Stainless Steel - 420 Grade</i>	Material: 420 Stainless Steel Rc 46-52
12.70 (0.500")	38.10	13.97	RP127-0381-C	<i>Pins - Roll - Carbon Steel</i>	Material: Carbon Spring Steel
12.70 (0.500")	38.10	13.97	RP127-0381-Z	<i>Pins - Roll - Zinc Plated</i>	Material: Zinc Plated Carbon Spring Steel
12.70 (0.500")	44.45	13.97	RP127-0445-C	<i>Pins - Roll - Carbon Steel</i>	Material: Carbon Spring Steel
12.70 (0.500")	44.50	13.97	RP127-0445-Z	<i>Pins - Roll - Zinc Plated</i>	Material: Zinc Plated Carbon Spring Steel
12.70 (0.500")	50.80	13.97	RP127-0508-C	<i>Pins - Roll - Carbon Steel</i>	Material: Carbon Spring Steel
12.70 (0.500")	50.80	13.97	RP127-0508-Z	<i>Pins - Roll - Zinc Plated</i>	Material: Zinc Plated Carbon Spring Steel
12.70 (0.500")	57.15	13.97	RP127-0572-C	<i>Pins - Roll - Carbon Steel</i>	Material: Carbon Spring Steel
12.70 (0.500")	57.20	13.97	RP127-0572-Z	<i>Pins - Roll - Zinc Plated</i>	Material: Zinc Plated Carbon Spring Steel
12.70 (0.500")	63.50	13.97	RP127-0635-C	<i>Pins - Roll - Carbon Steel</i>	Material: Carbon Spring Steel
12.70 (0.500")	63.50	13.97	RP127-0635-Z	<i>Pins - Roll - Zinc Plated</i>	Material: Zinc Plated Carbon Spring Steel
12.70 (0.500")	69.85	13.97	RP127-0699-C	<i>Pins - Roll - Carbon Steel</i>	Material: Carbon Spring Steel
12.70 (0.500")	69.90	13.97	RP127-0699-Z	<i>Pins - Roll - Zinc Plated</i>	Material: Zinc Plated Carbon Spring Steel
12.70 (0.500")	76.20	13.97	RP127-0762-420	<i>Pins - Roll - Stainless Steel - 420 Grade</i>	Material: 420 Stainless Steel Rc 46-52
12.70 (0.500")	76.20	13.97	RP127-0762-C	<i>Pins - Roll - Carbon Steel</i>	Material: Carbon Spring Steel
12.70 (0.500")	76.20	13.97	RP127-0762-Z	<i>Pins - Roll - Zinc Plated</i>	Material: Zinc Plated Carbon Spring Steel
12.70 (0.500")	82.55	13.97	RP127-0826-C	<i>Pins - Roll - Carbon Steel</i>	Material: Carbon Spring Steel
12.70 (0.500")	82.60	13.97	RP127-0826-Z	<i>Pins - Roll - Zinc Plated</i>	Material: Zinc Plated Carbon Spring Steel
12.70 (0.500")	88.90	13.97	RP127-0889-420	<i>Pins - Roll - Stainless Steel - 420 Grade</i>	Material: 420 Stainless Steel Rc 46-52
12.70 (0.500")	88.90	13.97	RP127-0889-C	<i>Pins - Roll - Carbon Steel</i>	Material: Carbon Spring Steel
12.70 (0.500")	88.90	13.97	RP127-0889-Z	<i>Pins - Roll - Zinc Plated</i>	Material: Zinc Plated Carbon Spring Steel
12.70 (0.500")	95.25	13.97	RP127-0953-C	<i>Pins - Roll - Carbon Steel</i>	Material: Carbon Spring Steel
12.70 (0.500")	95.30	13.97	RP127-0953-Z	<i>Pins - Roll - Zinc Plated</i>	Material: Zinc Plated Carbon Spring Steel



Stocked or Short Delivery



Usually Available Short Delivery



Long delivery or not in current production

\* Large Minimum Quantities

\*\* Available only while stock lasts

# Roll Pins

Nominal Diameter (D) mm (inches)	Length (L) mm	Free Diameter mm	Part Number		
12.70 (0.500")	101.60	13.97	RP127-1016-C	<i>Pins - Roll - Carbon Steel</i>	Material: Carbon Spring Steel
12.70 (0.500")	101.60	13.97	RP127-1016-Z	<i>Pins - Roll - Zinc Plated</i>	Material: Zinc Plated Carbon Spring Steel
12.70 (0.500")	114.30	13.97	RP127-1143-C	<i>Pins - Roll - Carbon Steel</i>	Material: Carbon Spring Steel
12.70 (0.500")	152.40	13.97	RP127-1524-C	<i>Pins - Roll - Carbon Steel</i>	Material: Carbon Spring Steel
14.00 (0.551")	60.00	15.40	RP140-0600-C	<i>Pins - Roll - Carbon Steel</i>	Material: Carbon Steel CS70
14.00 (0.551")	80.00	15.40	RP140-0800-C	<i>Pins - Roll - Carbon Steel</i>	Material: Carbon Steel CS70
14.00 (0.551")	90.00	15.40	RP140-0900-C	<i>Pins - Roll - Carbon Steel</i>	Material: Carbon Steel CS70
14.00 (0.551")	100.00	15.40	RP140-1000-C	<i>Pins - Roll - Carbon Steel</i>	Material: Carbon Steel CS70
15.88 (0.625")	50.80	17.47	RP159-0508-C	<i>Pins - Roll - Carbon Steel</i>	Material: Carbon Spring Steel
15.88 (0.625")	114.30	17.47	RP159-1143-C	<i>Pins - Roll - Carbon Steel</i>	Material: Carbon Spring Steel
15.88 (0.625")	127.00	17.47	RP159-1270-C	<i>Pins - Roll - Carbon Steel</i>	Material: Carbon Spring Steel
16.00 (0.630")	32.00	17.60	RP160-0320-C	<i>Pins - Roll - Carbon Steel</i>	Material: Carbon Steel CS70
16.00 (0.630")	45.00	17.60	RP160-0450-C	<i>Pins - Roll - Carbon Steel</i>	Material: Carbon Steel CS70
16.00 (0.630")	60.00	17.60	RP160-0600-C	<i>Pins - Roll - Carbon Steel</i>	Material: Carbon Steel CS70
16.00 (0.630")	70.00	17.60	RP160-0700-C	<i>Pins - Roll - Carbon Steel</i>	Material: Carbon Steel CS70
16.00 (0.630")	100.00	17.60	RP160-1000-C	<i>Pins - Roll - Carbon Steel</i>	Material: Carbon Steel CS70
16.00 (0.630")	140.00	17.60	RP160-1400-C	<i>Pins - Roll - Carbon Steel</i>	Material: Carbon Steel CS70
20.00 (0.787")	60.00	22.00	RP200-0600-C	<i>Pins - Roll - Carbon Steel</i>	Material: Carbon Steel CS70
20.00 (0.787")	70.00	22.00	RP200-0700-C	<i>Pins - Roll - Carbon Steel</i>	Material: Carbon Steel CS70
20.00 (0.787")	80.00	22.00	RP200-0800-C	<i>Pins - Roll - Carbon Steel</i>	Material: Carbon Steel CS70
20.00 (0.787")	160.00	22.00	RP200-1600-C	<i>Pins - Roll - Carbon Steel</i>	Material: Carbon Steel CS70
25.00 (0.984")	50.00	27.50	RP250-0500-C	<i>Pins - Roll - Carbon Steel</i>	Material: Carbon Steel CS70
25.00 (0.984")	60.00	27.50	RP250-0600-C	<i>Pins - Roll - Carbon Steel</i>	Material: Carbon Steel CS70
25.00 (0.984")	80.00	27.50	RP250-0800-C	<i>Pins - Roll - Carbon Steel</i>	Material: Carbon Steel CS70

Stocked or Short Delivery

Usually Available Short Delivery

Long delivery or not in current production

\* Large Minimum Quantities

\*\* Available only while stock lasts

## Tips

Please ensure you check the website for full information before ordering pins. This catalogue is designed as a quick reference to help you find potentially suitable parts quickly.

Coiled Pins - are a heavy duty fastener similar to a roll pin, only much stronger. These are generally intended as semi-permanent fixtures, as they are not easily removed once assembled.





## Distributed By

Miniature Bearings Australia  
<http://www.minibearings.com.au>  
[sales@minibearings.com.au](mailto:sales@minibearings.com.au)

Resellers: Please place your contact sticker over our details

## Avoid verbal communication

We sell an extensive range of products with varying amounts of technical data. Please assist us to provide you with accurate information by placing your orders and enquiries online or by e-mail.

**Roll Pins and Coiled Pins**